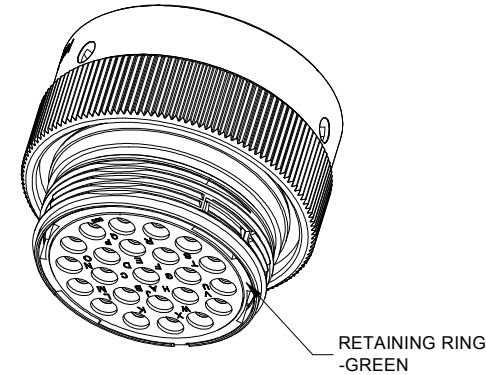
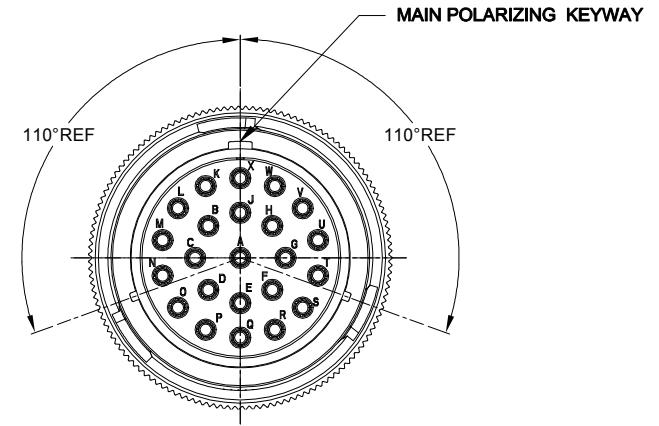
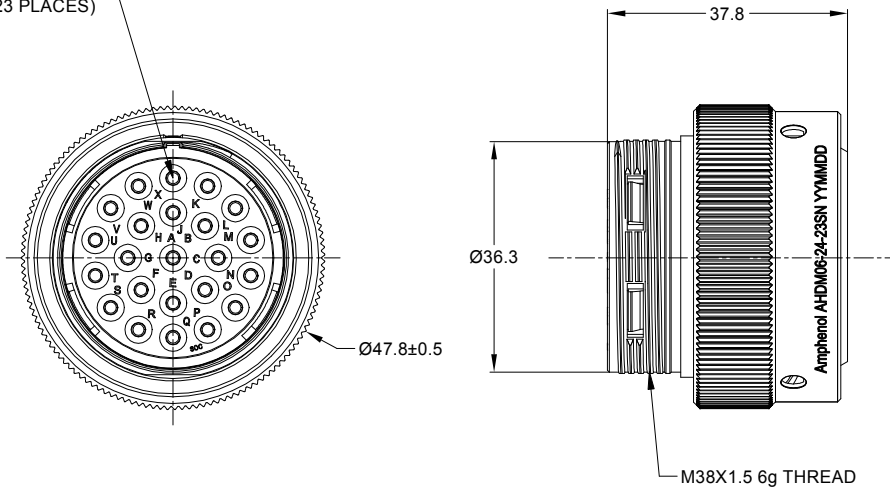


| REVISIONS | | | | | |
|-----------|-----|-------------------------|-----------|-------|-------|
| REV | ECO | DESCRIPTION | DATE | BY | APPR |
| A1 | - | RELEASE NEW DRAWING | 18/OCT/18 | BROOK | TOMMY |
| A2 | - | ADD MORE MATERIAL NOTES | 25/OCT/18 | BROOK | TOMMY |

6 SIZE 16 CONTACTS
(23 PLACES)



NOTES: UNLESS OTHERWISE SPECIFIED

- MATERIAL:**
SHELL: ZINC ALLOY, NICKEL PLATED
COUPLING RING: ALUMINUM ALLOY, NICKEL PLATED
INSERT AND RETAINING RING: THERMOPLASTIC
SEAL: SILICONE RUBBER
- MODIFICATIONS:** THREADED HOUSING; NORMAL DIA. WIRE SEAL
- SPECIFICATIONS:**
 - OPERATING TEMPERATURE: -55°C TO +125°C.
 - DIELECTRIC WITHSTANDING VOLTAGE: LESS THAN 2 MILLIAMPS CURRENT LEAKAGE @ 1500 VOLTS AC.
 - INSULATION RESISTANCE: 1000 MEGOHM MIN @ 25°C.
 - MOISTURE RESISTANCE: IP67&IP69K (MATED CONDITION).
 - MATING CYCLE DURABILITY: 100 CYCLES
 - RoHS COMPLIANT
- MATING PART:** AHDM04-24-23P* (* = SEAL TYPE)
- ALL DIMENSIONS ARE FOR REFERENCE USE ONLY.**

6 CONTACT SIZE AND WIRE RANGE:

| CONTACT SIZE | MIN. INSUL O.D. | MAX. INSUL O.D. | TYPICAL WIRE RANGE | CURRENT RATING |
|--------------|------------------|-------------------|--------------------|----------------|
| 16 | 2.54mm (.100 in) | 3.40 mm (.134 in) | 14-20 AWG | 13 AMPS |

TITLE: PLUG, 24 SZ 23 SOC, N, WIDE THD
DWG NO.: AHDM06-24-23SN
REV: A2
SH: 1
OF: 1

| QUANTITY | AHDM06-24-23SN | DESCRIPTION | ITEM | | | | | | | | | | | | |
|---|----------------|---|--|------|--------------|-----------|----------------|-----------|-----------|--|-----------------|-----------|-----------|--|--|
| | PART NUMBER | | | | | | | | | | | | | | |
| MATERIALS LIST | | | | | | | | | | | | | | | |
| UNLESS OTHERWISE SPECIFIED 1) All dimensions are in metric(mm). 2) Tolerances are as follows: 1 PL DEC ±0.30 2 PL DEC ±0.15 3 PL DEC ±0.08 Fractions ±1/64 Angles ±1° 3) Note reference = Δ | | <table border="1"> <thead> <tr> <th>SIGNATURES</th> <th>DATE</th> </tr> </thead> <tbody> <tr> <td>DRAWN: BROOK</td> <td>25/OCT/18</td> </tr> <tr> <td>CHECKED: ORION</td> <td>25/OCT/18</td> </tr> <tr> <td>ENGINEER:</td> <td></td> </tr> <tr> <td>APPROVAL: TOMMY</td> <td>25/OCT/18</td> </tr> <tr> <td>CUSTOMER:</td> <td></td> </tr> </tbody> </table> | SIGNATURES | DATE | DRAWN: BROOK | 25/OCT/18 | CHECKED: ORION | 25/OCT/18 | ENGINEER: | | APPROVAL: TOMMY | 25/OCT/18 | CUSTOMER: | | <p style="text-align: center;">Amphenol</p> <p style="text-align: center;">Sine Systems - www.amphenol-sine.com 44724 Morley Drive Clinton Township, MI 48036</p> |
| SIGNATURES | DATE | | | | | | | | | | | | | | |
| DRAWN: BROOK | 25/OCT/18 | | | | | | | | | | | | | | |
| CHECKED: ORION | 25/OCT/18 | | | | | | | | | | | | | | |
| ENGINEER: | | | | | | | | | | | | | | | |
| APPROVAL: TOMMY | 25/OCT/18 | | | | | | | | | | | | | | |
| CUSTOMER: | | | | | | | | | | | | | | | |
| MATERIAL SPECIFICATIONS: | | PLUG, 24 SZ 23 SOC, N, WIDE THD | | | | | | | | | | | | | |
| PROCESS SPECIFICATIONS: | | THIS DRAWING IS SUPPLIED FOR INFORMATION ONLY. DESIGN FEATURES, SPECIFICATIONS AND PERFORMANCE DATA SHOWN HEREON ARE THE PROPERTY OF THE AMPHENOL CORPORATION. NO RIGHTS OF REPRODUCTION ARE IMPLIED. ALL DIMENSIONS ARE SUBJECT TO NORMAL MANUFACTURING VARIATIONS. | | | | | | | | | | | | | |
| NEXT ASSY: | SCALE: NONE | SIZE: B C- | DWG NO: AHDM06-24-23SN REVISION: A2 SHEET 1 OF 1 | | | | | | | | | | | | |

AT, ATV, AHD, ARB, ARC, DuraMate™ and PanelMate™ Series

Size 16 Contact & Tooling Options

Contacts - Machined

| Part Number | Type | Style | Contact Size | Amp | Wire Range (AWG) | Wire Range (mm ²) | Insulation OD (mm) | Plating | Reel Size | Packaging |
|-------------------|--------|----------|--------------|-----|------------------|-------------------------------|--------------------|---------------|-----------|-----------|
| AT60-215-16141 | Pin | Machined | Size 16 | 13A | 14AWG | - | - | Nickel-Plated | - | - |
| AT60-215-1631 | Pin | Machined | Size 16 | 13A | 14AWG | - | - | Gold-Plated | - | - |
| AT60-202-16NKIT | Pin | Machined | Size 16 | 13A | 16-20AWG | - | - | Nickel-Plated | - | - |
| AT60-202-16141 | Pin | Machined | Size 16 | 13A | 16-20AWG | - | - | Nickel-Plated | - | - |
| AT60-202-1631 | Pin | Machined | Size 16 | 13A | 16-20AWG | - | - | Gold-Plated | - | - |
| AT60-202-16141-22 | Pin | Machined | Size 16 | 13A | 22-24AWG | - | - | Nickel-Plated | - | - |
| AT60-202-1631-22 | Pin | Machined | Size 16 | 13A | 22-24AWG | - | - | Gold-Plated | - | - |
| AT62-209-16141 | Socket | Machined | Size 16 | 13A | 14AWG | - | - | Nickel-Plated | - | - |
| AT62-209-1631 | Socket | Machined | Size 16 | 13A | 14AWG | - | - | Gold-Plated | - | - |
| AT62-201-16NKIT | Socket | Machined | Size 16 | 13A | 16-20AWG | - | - | Nickel-Plated | - | - |
| AT62-201-16141 | Socket | Machined | Size 16 | 13A | 16-20AWG | - | - | Nickel-Plated | - | - |
| AT62-201-1631 | Socket | Machined | Size 16 | 13A | 16-20AWG | - | - | Gold-Plated | - | - |
| AT62-201-16141-22 | Socket | Machined | Size 16 | 13A | 22-24AWG | - | - | Nickel-Plated | - | - |
| AT62-201-1631-22 | Socket | Machined | Size 16 | 13A | 22-24AWG | - | - | Gold-Plated | - | - |

Contacts - Stamped & Formed

| | | | | | | | | | | |
|-----------------|--------|-----|---------|-----|----------|-------------------------|---------------|---------------|-------|-------------|
| AT60-14-0122 | Pin | S&F | Size 16 | 13A | 14-18AWG | 2.0-0.75mm ² | 2.40 - 3.81mm | Nickel-Plated | - | - |
| AT60-14-0122-LP | Pin | S&F | Size 16 | 13A | 14-18AWG | 2.0-0.75mm ² | 2.40 - 3.81mm | Nickel-Plated | - | Loose Piece |
| AT60-14-0144 | Pin | S&F | Size 16 | 13A | 14-18AWG | 2.0-0.75mm ² | 2.40 - 3.81mm | Gold-Plated | - | - |
| AT60-14-0144-LP | Pin | S&F | Size 16 | 13A | 14-18AWG | 2.0-0.75mm ² | 2.40 - 3.81mm | Gold-Plated | - | Loose Piece |
| AT60-16-0122 | Pin | S&F | Size 16 | 13A | 16-18AWG | 1.5-0.75mm ² | 1.91 - 3.55mm | Nickel-Plated | - | - |
| AT60-16-0122-LP | Pin | S&F | Size 16 | 13A | 16-18AWG | 1.5-0.75mm ² | 1.91 - 3.55mm | Nickel-Plated | - | Loose Piece |
| AT60-16-0144 | Pin | S&F | Size 16 | 13A | 16-18AWG | 1.5-0.75mm ² | 1.91 - 3.55mm | Gold-Plated | - | - |
| AT60-16-0144-LP | Pin | S&F | Size 16 | 13A | 16-18AWG | 1.5-0.75mm ² | 1.91 - 3.55mm | Gold-Plated | - | Loose Piece |
| AT60-16-0622 | Pin | S&F | Size 16 | 13A | 16-20AWG | 1.0-0.5mm ² | 1.40 - 2.54mm | Nickel-Plated | - | - |
| AT60-16-0622-LP | Pin | S&F | Size 16 | 13A | 16-20AWG | 1.0-0.5mm ² | 1.40 - 2.54mm | Nickel-Plated | - | Loose Piece |
| AT60-16-0644 | Pin | S&F | Size 16 | 13A | 16-20AWG | 1.0-0.5mm ² | 1.40 - 2.54mm | Gold-Plated | - | - |
| AT60-16-0644-LP | Pin | S&F | Size 16 | 13A | 16-20AWG | 1.0-0.5mm ² | 1.40 - 2.54mm | Gold-Plated | - | Loose Piece |
| AT60-16-0322 | Pin | S&F | Size 16 | 13A | 20-22AWG | 0.5-0.35mm ² | 1.31 - 1.50mm | Nickel-Plated | - | - |
| AT60-16-0344 | Pin | S&F | Size 16 | 13A | 20-22AWG | 0.5-0.35mm ² | 1.31 - 1.50mm | Gold-Plated | - | - |
| AT60-16-0377 | Pin | S&F | Size 16 | 13A | 20-22AWG | 0.5-0.35mm ² | 1.31 - 1.50mm | Tin-Plated | - | - |
| AT60-16-0822 | Pin | S&F | Size 16 | 13A | 20-22AWG | 0.5-0.35mm ² | 1.31 - 1.50mm | Nickel-Plated | 4,000 | - |
| AT60-16-0844 | Pin | S&F | Size 16 | 13A | 20-22AWG | 0.5-0.35mm ² | 1.31 - 1.50mm | Gold-Plated | 4,000 | - |
| AT62-14-0122 | Socket | S&F | Size 16 | 13A | 14-18AWG | 2.0-0.75mm ² | 2.40 - 3.81mm | Nickel-Plated | - | - |
| AT62-14-0122-LP | Socket | S&F | Size 16 | 13A | 14-18AWG | 2.0-0.75mm ² | 2.40 - 3.81mm | Nickel-Plated | - | Loose Piece |
| AT62-14-0144 | Socket | S&F | Size 16 | 13A | 14-18AWG | 2.0-0.75mm ² | 2.40 - 3.81mm | Gold-Plated | - | - |
| AT62-14-0144-LP | Socket | S&F | Size 16 | 13A | 14-18AWG | 2.0-0.75mm ² | 2.40 - 3.81mm | Gold-Plated | - | Loose Piece |
| AT62-16-0122 | Socket | S&F | Size 16 | 13A | 16-18AWG | 1.5-0.75mm ² | 1.91 - 3.55mm | Nickel-Plated | - | - |
| AT62-16-0122-LP | Socket | S&F | Size 16 | 13A | 16-18AWG | 1.5-0.75mm ² | 1.91 - 3.55mm | Nickel-Plated | - | Loose Piece |
| AT62-16-0144 | Socket | S&F | Size 16 | 13A | 16-18AWG | 1.5-0.75mm ² | 1.91 - 3.55mm | Gold-Plated | - | - |

AT, ATV, AHD, ARB, ARC, DuraMate™ and PanelMate™ Series

Size 16 Contact & Tooling Options, cont.

Contacts - Stamped & Formed, cont.

| Part Number | Type | Style | Contact Size | Amp | Wire Range (AWG) | Wire Range (mm ²) | Insulation OD (mm) | Plating | Reel Size | Packaging |
|-----------------|--------|-------|--------------|-----|------------------|-------------------------------|--------------------|---------------|-----------|-------------|
| AT62-16-0144-LP | Socket | S&F | Size 16 | 13A | 16-18AWG | 1.5-0.75mm ² | 1.91 - 3.55mm | Gold-Plated | - | Loose Piece |
| AT62-16-0622 | Socket | S&F | Size 16 | 13A | 16-20AWG | 1.0-0.5mm ² | 1.40 - 2.54mm | Nickel-Plated | - | - |
| AT62-16-0622-LP | Socket | S&F | Size 16 | 13A | 16-20AWG | 1.0-0.5mm ² | 1.40 - 2.54mm | Nickel-Plated | - | Loose Piece |
| AT62-16-0644 | Socket | S&F | Size 16 | 13A | 18-20AWG | 1.0-0.5mm ² | 1.40 - 2.54mm | Gold-Plated | - | - |
| AT62-16-0644-LP | Socket | S&F | Size 16 | 13A | 18-20AWG | 1.0-0.5mm ² | 1.40 - 2.54mm | Gold-Plated | - | Loose Piece |
| AT62-16-0822 | Socket | S&F | Size 16 | 13A | 20-22AWG | 0.5-0.35mm ² | 1.31 - 1.50mm | Nickel-Plated | 4,000 | - |
| AT62-16-0844 | Socket | S&F | Size 16 | 13A | 20-22AWG | 0.5-0.35mm ² | 1.31 - 1.50mm | Gold-Plated | 4,000 | - |

Tooling

| Part Number | Tool Name | Style | Contact Size | Wire Range (AWG) | Material | Color |
|------------------|--|-----------|---------------|------------------|---------------|---------|
| AUTK-16 | Hand Crimp Tool | Machined | Size 16 | - | - | - |
| AUTK-100 | Universal Heavy Duty Contact Crimping Tool Kit | Machined | Size 12/16/20 | 12-26AWG | - | - |
| CA-5D12 | Universal Hand Crimp Tool | Machined | Size 12/16/20 | 12-26AWG | - | - |
| CA-5E12 | Pneumatic Crimp Tool | Machined | Size 12/16/20 | 12-26AWG | - | - |
| MFX-3950-G or K | Crimp Die Press Applicator | S&F | Size 16 | 18-20AWG | - | - |
| MFX-3953-G or K | Crimp Die Press Applicator | S&F | Size 16 | 16-18AWG | - | - |
| MFX-3975-G or K | Crimp Die Press Applicator | S&F | Size 16 | 14-16AWG | - | - |
| MFX-3990 | Crimp Die | S&F | Size 16 | 20-22AWG | - | - |
| ATT-16-00 | Hand Crimp Tool | S&F | Size 16 | 14-16AWG | - | - |
| ATT-16-01 | Hand Crimp Tool | S&F | Size 16 | 18-20AWG | - | - |
| ATT-1612-03 | Hand Crimp Tool | S&F | Size 12/16 | 20-22AWG | - | - |
| ATRT-100 | Contact and Wedgelock Extraction Tool | Universal | Universal | - | Steel | Silver |
| AT11-310-1605 | Contact Extraction Tool | Universal | Size 16 | - | Plastic | Lt Blue |
| A114017 | Seal Plug | Universal | Size 12/16 | - | Thermoplastic | White |
| A114017-SR | Seal Plug | Universal | Size 16 | - | Thermoplastic | Black |
| AT13-217-1605 | Locking Seal Plug | Universal | Size 16 | - | Thermoplastic | Grey |
| AT13-217-1605-SR | Locking Seal Plug | Universal | Size 16 | - | Thermoplastic | Red |