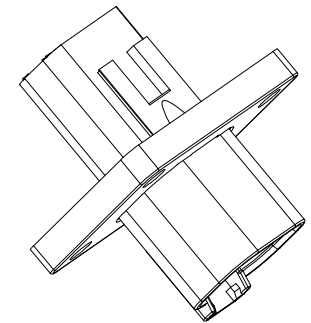
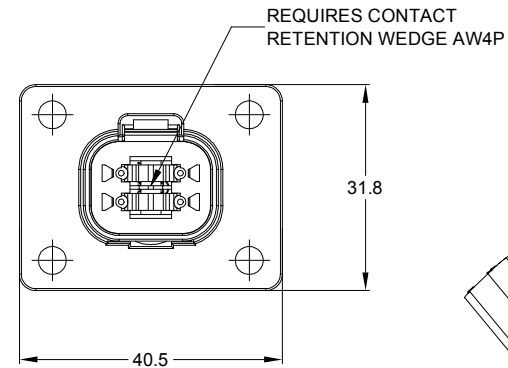
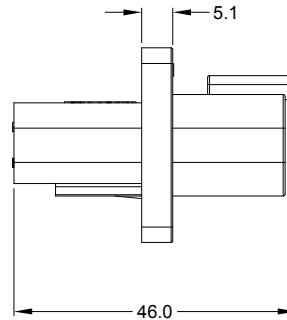
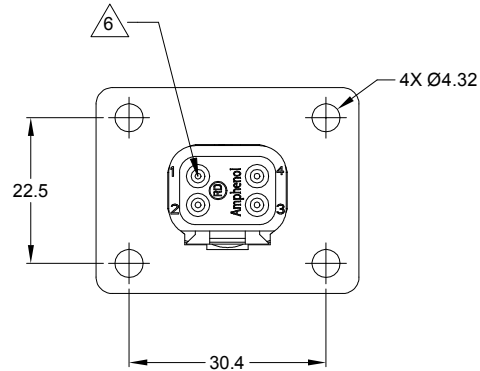
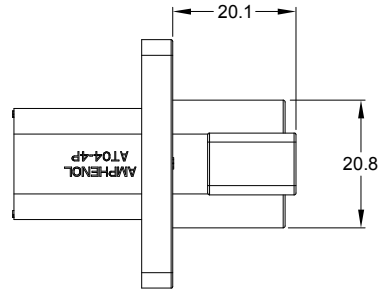


| REVISIONS | | | | | |
|-----------|-----|----------------|-----------|-------|-------|
| REV | ECO | DESCRIPTION | DATE | BY | APPR |
| A1 | - | RELEASE NUMBER | 30/NOV/18 | BROOK | TOMMY |



NOTES: UNLESS OTHERWISE SPECIFIED

- MATERIAL:
HOUSING: THERMOPLASTIC
SEAL: SILICONE RUBBER
- MODIFICATIONS: FLANGE, REDUCED DIA. WIRE SEAL
- SPECIFICATIONS:
3.1 CURRENT RATING: 13 AMPS
3.2 OPERATING TEMPERATURE: -55°C TO +125°C.
3.3 DIELECTRIC WITHSTANDING VOLTAGE: LESS THAN 2 MILLIAMPS CURRENT LEAKAGE @ 1500 VOLTS AC.
3.4 INSULATION RESISTANCE: 1000 MEGOHMS MIN @ 25°C.
3.5 MOISTURE RESISTANCE: IP67 (MATED CONDITION)
3.6 MATING CYCLE DURABILITY: 100 CYCLES
3.7 RoHS COMPLIANT
- MATING PART: AT06-4S* PLUG.
(* = MODIFICATIONS AND COLORS)
- ALL DIMENSIONS ARE FOR REFERENCE USE ONLY.

| P/N CHART | |
|-----------|--------------|
| COLOR | P/N |
| GRAY | AT04-4P-CL03 |
| BLACK | AT04-4P-CL06 |

CONTACT SIZE AND REAR SEAL WIRE RANGE:

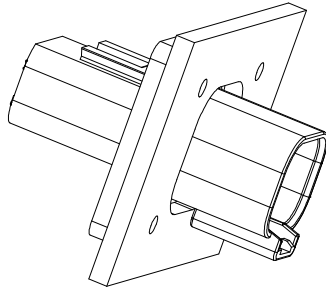
| CONTACT SIZE | MIN. INSUL O.D. | MAX. INSUL O.D. | TYPICAL WIRE RANGE |
|--------------|-------------------|-------------------|--------------------|
| 16 | 1.35 mm (.053 in) | 3.05 mm (.120 in) | 16 - 20 AWG |

| SEE P/N CHART | | DESCRIPTION | | ITEM |
|--|-------------|--|--|--|
| QUANTITY | PART NUMBER | MATERIALS LIST | | |
| UNLESS OTHERWISE SPECIFIED 1) All dimensions are in metric (mm). 2) Tolerances are as follows: 1 PL DEC ±0.30 Fractions ±1/64 2 PL DEC ±0.15 Angles ±1° 3 PL DEC ±0.08 3) Note reference = | | SIGNATURES DATE DRAWN: BROOK 30/NOV/18 CHECKED: ORON 30/NOV/18 ENGINEER: APPROVAL: TOMMY 30/NOV/18 CUSTOMER: | | Sine Systems - www.amphenol-sine.com 44724 Morley Drive Clinton Township, MI 48036 |
| MATERIAL SPECIFICATIONS: | | THIS DRAWING IS SUPPLIED FOR INFORMATION ONLY. DESIGN FEATURES, SPECIFICATIONS AND PERFORMANCE DATA SHOWN HEREON ARE THE PROPERTY OF THE AMPHENOL CORPORATION. NO RIGHTS OF REPRODUCTION ARE IMPLIED. ALL DIMENSIONS ARE SUBJECT TO NORMAL MANUFACTURING VARIATIONS. | | |
| PROCESS SPECIFICATIONS: | | SCALE: NONE | | DWG NO: AT04-4P-CLXX REVISION: A1 |
| NEXT ASSY: | | SHEET 1 OF 2 | | |

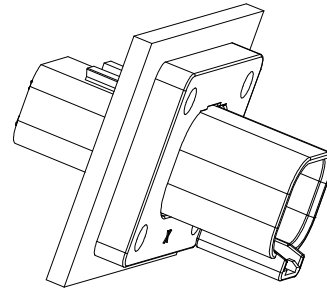
TITLE: 4P RECEPTACLE, FLANGE MOUNT, RD
DWG NO: AT04-4P-CLXX
REV: A1
SH: 1
OF: 2

| REVISIONS | | | | | |
|-----------|-----|----------------|-----------|-------|-------|
| REV | ECO | DESCRIPTION | DATE | BY | APPR |
| A1 | - | RELEASE NUMBER | 30/NOV/18 | BROOK | TOMMY |

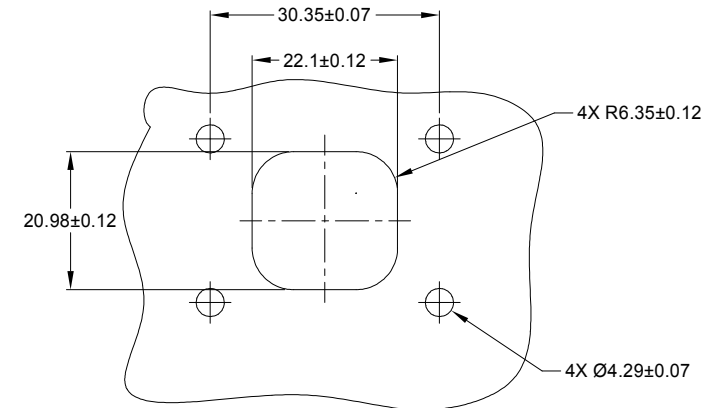
FOR REFERENCE ONLY



FRONT MOUNT



REAR MOUNT



RECOMMENDED CUTOUT
FRONT AND REAR MOUNT

| | | | | |
|--|--|--|--|---|
| SEE SHEET 1 | | | | |
| PART NUMBER | | DESCRIPTION | | ITEM |
| QUANTITY | | MATERIALS LIST | | |
| UNLESS OTHERWISE SPECIFIED 1) All dimensions are in metric(mm). 2) Tolerances are as follows: 1 PL DEC ±0.30 2 PL DEC ±0.15 3 PL DEC ±0.08 Fractions ±1/64 Angles ±1° 3) Note reference = | | SIGNATURES DRAWN: BROOK CHECKED: ORION ENGINEER: APPROVAL: TOMMY CUSTOMER: | DATE 30/NOV/18 30/NOV/18 30/NOV/18 | Sine Systems - www.amphenol-sine.com 44724 Morley Drive Clinton Township, MI 48036 4P RECEPTACLE, FLANGE MOUNT, RD |
| MATERIAL SPECIFICATIONS: | | THIS DRAWING IS SUPPLIED FOR INFORMATION ONLY. DESIGN FEATURES, SPECIFICATIONS AND PERFORMANCE DATA SHOWN HEREON ARE THE PROPERTY OF THE AMPHENOL CORPORATION. NO RIGHTS OF REPRODUCTION ARE IMPLIED. ALL DIMENSIONS ARE SUBJECT TO NORMAL MANUFACTURING VARIATIONS. | | SIZE: B C- TYPE: C- DWG NO: AT04-4P-CLXX REVISION: A1 |
| PROCESS SPECIFICATIONS: | | SCALE: NONE | | SHEET 2 OF 2 |
| NEXT ASSY: | | | | |

TITLE: 4P RECEPTACLE, FLANGE MOUNT, RD
 DWG NO: AT04-4P-CLXX
 REV: A1
 SH: 2
 OF: 2

AT, ATV, AHD, ARB, ARC, DuraMate™ and PanelMate™ Series

Size 16 Contact & Tooling Options

Contacts - Machined

| Part Number | Type | Style | Contact Size | Amp | Wire Range (AWG) | Wire Range (mm ²) | Insulation OD (mm) | Plating | Reel Size | Packaging |
|-------------------|--------|----------|--------------|-----|------------------|-------------------------------|--------------------|---------------|-----------|-----------|
| AT60-215-16141 | Pin | Machined | Size 16 | 13A | 14AWG | - | - | Nickel-Plated | - | - |
| AT60-215-1631 | Pin | Machined | Size 16 | 13A | 14AWG | - | - | Gold-Plated | - | - |
| AT60-202-16NKIT | Pin | Machined | Size 16 | 13A | 16-20AWG | - | - | Nickel-Plated | - | - |
| AT60-202-16141 | Pin | Machined | Size 16 | 13A | 16-20AWG | - | - | Nickel-Plated | - | - |
| AT60-202-1631 | Pin | Machined | Size 16 | 13A | 16-20AWG | - | - | Gold-Plated | - | - |
| AT60-202-16141-22 | Pin | Machined | Size 16 | 13A | 22-24AWG | - | - | Nickel-Plated | - | - |
| AT60-202-1631-22 | Pin | Machined | Size 16 | 13A | 22-24AWG | - | - | Gold-Plated | - | - |
| AT62-209-16141 | Socket | Machined | Size 16 | 13A | 14AWG | - | - | Nickel-Plated | - | - |
| AT62-209-1631 | Socket | Machined | Size 16 | 13A | 14AWG | - | - | Gold-Plated | - | - |
| AT62-201-16NKIT | Socket | Machined | Size 16 | 13A | 16-20AWG | - | - | Nickel-Plated | - | - |
| AT62-201-16141 | Socket | Machined | Size 16 | 13A | 16-20AWG | - | - | Nickel-Plated | - | - |
| AT62-201-1631 | Socket | Machined | Size 16 | 13A | 16-20AWG | - | - | Gold-Plated | - | - |
| AT62-201-16141-22 | Socket | Machined | Size 16 | 13A | 22-24AWG | - | - | Nickel-Plated | - | - |
| AT62-201-1631-22 | Socket | Machined | Size 16 | 13A | 22-24AWG | - | - | Gold-Plated | - | - |

Contacts - Stamped & Formed

| | | | | | | | | | | |
|-----------------|--------|-----|---------|-----|----------|-------------------------|---------------|---------------|-------|-------------|
| AT60-14-0122 | Pin | S&F | Size 16 | 13A | 14-18AWG | 2.0-0.75mm ² | 2.40 - 3.81mm | Nickel-Plated | - | - |
| AT60-14-0122-LP | Pin | S&F | Size 16 | 13A | 14-18AWG | 2.0-0.75mm ² | 2.40 - 3.81mm | Nickel-Plated | - | Loose Piece |
| AT60-14-0144 | Pin | S&F | Size 16 | 13A | 14-18AWG | 2.0-0.75mm ² | 2.40 - 3.81mm | Gold-Plated | - | - |
| AT60-14-0144-LP | Pin | S&F | Size 16 | 13A | 14-18AWG | 2.0-0.75mm ² | 2.40 - 3.81mm | Gold-Plated | - | Loose Piece |
| AT60-16-0122 | Pin | S&F | Size 16 | 13A | 16-18AWG | 1.5-0.75mm ² | 1.91 - 3.55mm | Nickel-Plated | - | - |
| AT60-16-0122-LP | Pin | S&F | Size 16 | 13A | 16-18AWG | 1.5-0.75mm ² | 1.91 - 3.55mm | Nickel-Plated | - | Loose Piece |
| AT60-16-0144 | Pin | S&F | Size 16 | 13A | 16-18AWG | 1.5-0.75mm ² | 1.91 - 3.55mm | Gold-Plated | - | - |
| AT60-16-0144-LP | Pin | S&F | Size 16 | 13A | 16-18AWG | 1.5-0.75mm ² | 1.91 - 3.55mm | Gold-Plated | - | Loose Piece |
| AT60-16-0622 | Pin | S&F | Size 16 | 13A | 16-20AWG | 1.0-0.5mm ² | 1.40 - 2.54mm | Nickel-Plated | - | - |
| AT60-16-0622-LP | Pin | S&F | Size 16 | 13A | 16-20AWG | 1.0-0.5mm ² | 1.40 - 2.54mm | Nickel-Plated | - | Loose Piece |
| AT60-16-0644 | Pin | S&F | Size 16 | 13A | 16-20AWG | 1.0-0.5mm ² | 1.40 - 2.54mm | Gold-Plated | - | - |
| AT60-16-0644-LP | Pin | S&F | Size 16 | 13A | 16-20AWG | 1.0-0.5mm ² | 1.40 - 2.54mm | Gold-Plated | - | Loose Piece |
| AT60-16-0322 | Pin | S&F | Size 16 | 13A | 20-22AWG | 0.5-0.35mm ² | 1.31 - 1.50mm | Nickel-Plated | - | - |
| AT60-16-0344 | Pin | S&F | Size 16 | 13A | 20-22AWG | 0.5-0.35mm ² | 1.31 - 1.50mm | Gold-Plated | - | - |
| AT60-16-0377 | Pin | S&F | Size 16 | 13A | 20-22AWG | 0.5-0.35mm ² | 1.31 - 1.50mm | Tin-Plated | - | - |
| AT60-16-0822 | Pin | S&F | Size 16 | 13A | 20-22AWG | 0.5-0.35mm ² | 1.31 - 1.50mm | Nickel-Plated | 4,000 | - |
| AT60-16-0844 | Pin | S&F | Size 16 | 13A | 20-22AWG | 0.5-0.35mm ² | 1.31 - 1.50mm | Gold-Plated | 4,000 | - |
| AT62-14-0122 | Socket | S&F | Size 16 | 13A | 14-18AWG | 2.0-0.75mm ² | 2.40 - 3.81mm | Nickel-Plated | - | - |
| AT62-14-0122-LP | Socket | S&F | Size 16 | 13A | 14-18AWG | 2.0-0.75mm ² | 2.40 - 3.81mm | Nickel-Plated | - | Loose Piece |
| AT62-14-0144 | Socket | S&F | Size 16 | 13A | 14-18AWG | 2.0-0.75mm ² | 2.40 - 3.81mm | Gold-Plated | - | - |
| AT62-14-0144-LP | Socket | S&F | Size 16 | 13A | 14-18AWG | 2.0-0.75mm ² | 2.40 - 3.81mm | Gold-Plated | - | Loose Piece |
| AT62-16-0122 | Socket | S&F | Size 16 | 13A | 16-18AWG | 1.5-0.75mm ² | 1.91 - 3.55mm | Nickel-Plated | - | - |
| AT62-16-0122-LP | Socket | S&F | Size 16 | 13A | 16-18AWG | 1.5-0.75mm ² | 1.91 - 3.55mm | Nickel-Plated | - | Loose Piece |
| AT62-16-0144 | Socket | S&F | Size 16 | 13A | 16-18AWG | 1.5-0.75mm ² | 1.91 - 3.55mm | Gold-Plated | - | - |

AT, ATV, AHD, ARB, ARC, DuraMate™ and PanelMate™ Series

Size 16 Contact & Tooling Options, cont.

Contacts - Stamped & Formed, cont.

| Part Number | Type | Style | Contact Size | Amp | Wire Range (AWG) | Wire Range (mm ²) | Insulation OD (mm) | Plating | Reel Size | Packaging |
|-----------------|--------|-------|--------------|-----|------------------|-------------------------------|--------------------|---------------|-----------|-------------|
| AT62-16-0144-LP | Socket | S&F | Size 16 | 13A | 16-18AWG | 1.5-0.75mm ² | 1.91 - 3.55mm | Gold-Plated | - | Loose Piece |
| AT62-16-0622 | Socket | S&F | Size 16 | 13A | 16-20AWG | 1.0-0.5mm ² | 1.40 - 2.54mm | Nickel-Plated | - | - |
| AT62-16-0622-LP | Socket | S&F | Size 16 | 13A | 16-20AWG | 1.0-0.5mm ² | 1.40 - 2.54mm | Nickel-Plated | - | Loose Piece |
| AT62-16-0644 | Socket | S&F | Size 16 | 13A | 18-20AWG | 1.0-0.5mm ² | 1.40 - 2.54mm | Gold-Plated | - | - |
| AT62-16-0644-LP | Socket | S&F | Size 16 | 13A | 18-20AWG | 1.0-0.5mm ² | 1.40 - 2.54mm | Gold-Plated | - | Loose Piece |
| AT62-16-0822 | Socket | S&F | Size 16 | 13A | 20-22AWG | 0.5-0.35mm ² | 1.31 - 1.50mm | Nickel-Plated | 4,000 | - |
| AT62-16-0844 | Socket | S&F | Size 16 | 13A | 20-22AWG | 0.5-0.35mm ² | 1.31 - 1.50mm | Gold-Plated | 4,000 | - |

Tooling

| Part Number | Tool Name | Style | Contact Size | Wire Range (AWG) | Material | Color |
|------------------|--|-----------|---------------|------------------|---------------|---------|
| AUTK-16 | Hand Crimp Tool | Machined | Size 16 | - | - | - |
| AUTK-100 | Universal Heavy Duty Contact Crimping Tool Kit | Machined | Size 12/16/20 | 12-26AWG | - | - |
| CA-5D12 | Universal Hand Crimp Tool | Machined | Size 12/16/20 | 12-26AWG | - | - |
| CA-5E12 | Pneumatic Crimp Tool | Machined | Size 12/16/20 | 12-26AWG | - | - |
| MFX-3950-G or K | Crimp Die Press Applicator | S&F | Size 16 | 18-20AWG | - | - |
| MFX-3953-G or K | Crimp Die Press Applicator | S&F | Size 16 | 16-18AWG | - | - |
| MFX-3975-G or K | Crimp Die Press Applicator | S&F | Size 16 | 14-16AWG | - | - |
| MFX-3990 | Crimp Die | S&F | Size 16 | 20-22AWG | - | - |
| ATT-16-00 | Hand Crimp Tool | S&F | Size 16 | 14-16AWG | - | - |
| ATT-16-01 | Hand Crimp Tool | S&F | Size 16 | 18-20AWG | - | - |
| ATT-1612-03 | Hand Crimp Tool | S&F | Size 12/16 | 20-22AWG | - | - |
| ATRT-100 | Contact and Wedgelock Extraction Tool | Universal | Universal | - | Steel | Silver |
| AT11-310-1605 | Contact Extraction Tool | Universal | Size 16 | - | Plastic | Lt Blue |
| A114017 | Seal Plug | Universal | Size 12/16 | - | Thermoplastic | White |
| A114017-SR | Seal Plug | Universal | Size 16 | - | Thermoplastic | Black |
| AT13-217-1605 | Locking Seal Plug | Universal | Size 16 | - | Thermoplastic | Grey |
| AT13-217-1605-SR | Locking Seal Plug | Universal | Size 16 | - | Thermoplastic | Red |