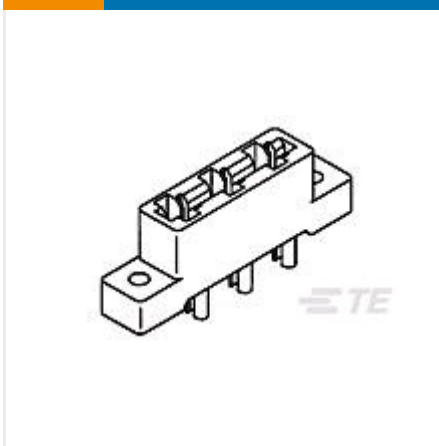




CONNECTORS

HEADERS & RECEPTACLES



✓ Active

TE CONNECTIVITY (TE)

HI CURRENT ASSY 5 POS/3 LOADED

5-145339-1

TE Internal Number: 5-145339-1

EU RoHS Compliant with Exemptions

EU ELV Compliant with Exemptions

Number of Positions 5

Centerline (Pitch) 7.92 mm [.312 in]

Number of Rows 1

Contact Mating Area Plating Material Tin

Contact Mating Area Plating Material Finish Matte

[↓ PRODUCT DRAWING](#)
English

[↓ 3D PDF](#)

DOCUMENTATION

Product Drawings

CONNECTOR ASSY, 5 POSITION, SELECTIVELY LOADED, HIGH CURRENT

PDF

English

CAD Files

3D PDF

PDF

3D

Customer View Model

2D_DXF.ZIP

English

Customer View Model

3D_IGS.ZIP

English

Customer View Model

3D_STP.ZIP

English

Product Specifications

Application Specification

High Current Edge Connector Contacts And Housings

PDF

English

FEATURES



Please review product documents or [contact us](#) for the latest agency approval information.

Please Note: Use the Product Drawing for all design activity.

Product Type Features

Connector & Contact Terminates To Printed Circuit Board

Product Type Connector

Strain Relief Without

Post Type Solder Post

Configuration Features

Number of Positions 5

Number of Rows 1

Backwall/Post Interruptions Without

Contact Features

Contact Mating Area Plating Material Tin

Contact Mating Area Plating Material Finish Matte

Contact Mating Area Plating Thickness 3.81 μm [150 μin]

Contact Base Material Copper Alloy

Tail Plating Thickness 3.81 μm [150 μin]

Contact Termination Area Plating Material Tin

Contact Termination Area Plating Thickness 3.81 μm [150 μin]

Tail Plating Material Tin

Contact Type Socket

Contact Termination Area Plating Material Finish Matte

Mechanical Attachment

Panel Mount Retention Type Mounting Ears

Housing Features

Centerline (Pitch) 7.92 mm [.312 in]

Housing Color White

Housing Material Polyester - GF

Dimensions

Height 23.8 mm [.937 in]

PCB Thickness (Recommended) 1.57 mm [.062 in]

Operation/Application

Pick and Place Cover Without

Industry Standards

UL Flammability Rating UL 94V-0

Packaging Features

Packaging Method Carton

Packaging Quantity 300

PRODUCT COMPLIANCE



Statement of Compliance

Statement of Compliance

PDF
