

### Product Compliance

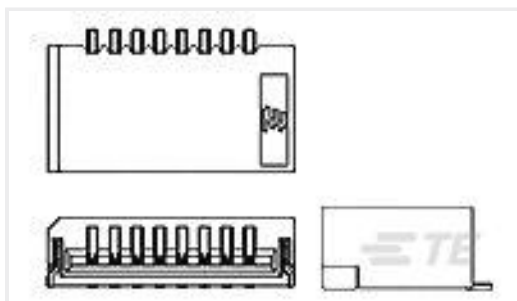
[For compliance documentation, visit the product page on TE.com>](#)

EU RoHS Directive 2011/65/EU	Compliant
EU ELV Directive 2000/53/EC	Compliant
China RoHS 2 Directive MIIT Order No 32, 2016	No Restricted Materials Above Threshold
EU REACH Regulation (EC) No. 1907/2006	Current ECHA Candidate List: JUNE 2025 (250) Candidate List Declared Against: JUNE 2022 (224) Does not contain REACH SVHC
Halogen Content	Low Halogen - Br, Cl, F < 900 ppm per homogenous material. Also BFR/CFR/PVC Free
Solder Process Capability	Wave solder capable to 265°C

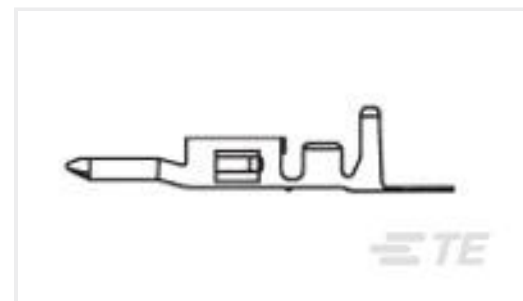
#### Product Compliance Disclaimer

This information is provided based on reasonable inquiry of our suppliers and represents our current actual knowledge based on the information they provided. This information is subject to change. The part numbers that TE has identified as EU RoHS compliant have a maximum concentration of 0.1% by weight in homogenous materials for lead, hexavalent chromium, mercury, PBB, PBDE, DBP, BBP, DEHP, DIBP, and 0.01% for cadmium, or qualify for an exemption to these limits as defined in the Annexes of Directive 2011/65/EU (RoHS2). Finished electrical and electronic equipment products will be CE marked as required by Directive 2011/65/EU. Components may not be CE marked. Additionally, the part numbers that TE has identified as EU ELV compliant have a maximum concentration of 0.1% by weight in homogenous materials for lead, hexavalent chromium, and mercury, and 0.01% for cadmium, or qualify for an exemption to these limits as defined in the Annexes of Directive 2000/53/EC (ELV). Regarding the REACH Regulation, the information TE provides on SVHC in articles for this part number is based on the latest European Chemicals Agency (ECHA) 'Guidance on requirements for substances in articles' posted at this URL: <https://echa.europa.eu/guidance-documents/guidance-on-reach>

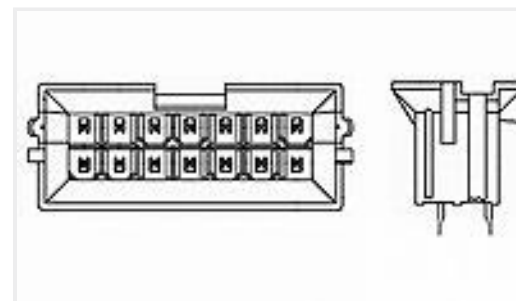
### Customers Also Bought



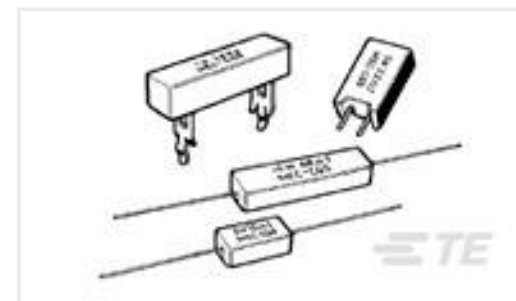
TE Part #84981-4  
1MM FFC SMT H ASSY 4P EMBOSS



TE Part #794957-1  
VAL-U-LOK PIN BR SN 22-26AWG



TE Part #1586586-4  
4P VAL-U-LOK BMI VRT HDR V2



TE Part #1623779-5  
SOB20 10R 5%



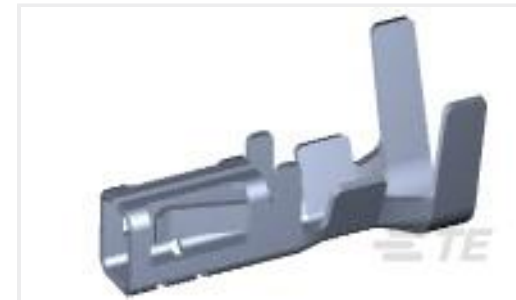
TE Part #1625966-4  
HSA10 10R 5%



TE Part #4-1971905-5  
PLUG HOUSING 10POS,KEYING-D,  
NEW GIC3.3



TE Part #4-1971906-5  
HEADER ASSY 10POS,KEYING-D,  
NEW GIC3.3



TE Part #1983780-1  
NG GIC 3.3 REC CONTACT TIN PLATE



TE Part #2176186-9  
CRGH1206 1% 560R 0.5W



TE Part #2822343-1  
MINI MLC PLUG HSG ASSY 7P

## Documents

### Product Drawings

[10P VAL-U-LOK BMI VRT HDR V2](#)

English

### CAD Files

Customer View Model

[ENG\\_CVM\\_1-1586586-0\\_A1.3d\\_igs.zip](#)

English

Customer View Model

[ENG\\_CVM\\_1-1586586-0\\_A1.3d\\_stp.zip](#)

English

Customer View Model

[ENG\\_CVM\\_1-1586586-0\\_A1.2d\\_dxf.zip](#)

English

[3D PDF](#)

English

[3D PDF](#)

3D



**Customer View Model**

[ENG\\_CVM\\_CVM\\_1-1586586-0\\_A.2d\\_dxf.zip](#)

English

**Customer View Model**

[ENG\\_CVM\\_CVM\\_1-1586586-0\\_A.3d\\_igs.zip](#)

English

**Customer View Model**

[ENG\\_CVM\\_CVM\\_1-1586586-0\\_A.3d\\_stp.zip](#)

English

By downloading the CAD file I accept and agree to the [Terms and Conditions](#) of use.

---

**Datasheets & Catalog Pages**

[SOFT\\_SHELL\\_PIN\\_AND\\_SOCKET\\_CONNECTORS\\_CATALOG](#)

English

---

**Product Specifications**

[Application Specification](#)

English

---

**Agency Approvals**

[UL](#)

English