



**AMPLIMITE**

TE Internal #: 1218124-4

37 Position D-Shaped Connector, Plug, Cable-to-Board, Board Mount, Shell Size 4, 2.77 mm [.109 in] Centerline, Printed Circuit Board, Signal

[View on TE.com >](#)

Connectors > D-Shaped Connectors



Number of Positions: **37**

Connector & Housing Type: **Plug**

Connector System: **Cable-to-Board**

Connector Mounting Type: **Board Mount**

Connector Shell Size: **4**

**Features**

**Product Type Features**

Sealable	No
Connector & Housing Type	Plug
Connector System	Cable-to-Board
Connector Shell Size	4
Connector & Contact Terminates To	Printed Circuit Board

**Configuration Features**

Power/Signal/Coax Combination	No
Number of Positions	37
PCB Mount Orientation	Vertical

**Body Features**

Front Shell Material	Steel
D-Sub Connector Insert Arrangement	MS18276-1
Rear Shell Plating Material	Cadmium
Rear Shell Material	Steel
Front Shell Plating Material	Cadmium

**Contact Features**

Contact Mating Area Plating Material	Gold (Au)
Contact Base Material	Brass



Contact Size	Size 20
Contact Type	Pin
Contact Current Rating (Max)	5 A
Contact Options	Installed

### Termination Features

Termination Method to PCB	Through Hole - Solder
Termination Post & Tail Diameter	.76 mm[.03 in]
Termination Post & Tail Length	3.95 mm[.156 in]

### Mechanical Attachment

Mounting Hole Diameter	3.05 mm[.12 in]
Mating Alignment	Without
Connector Mounting Type	Board Mount

### Housing Features

Centerline (Pitch)	2.77 mm[.109 in]
--------------------	------------------

### Usage Conditions

Operating Temperature Range	-55 – 125 °C[-67 – 257 °F]
-----------------------------	----------------------------

### Operation/Application

Circuit Application	Signal
---------------------	--------

### Packaging Features

Packaging Method	Package
------------------	---------

## Product Compliance

[For compliance documentation, visit the product page on TE.com>](#)

EU RoHS Directive 2011/65/EU	Not Compliant
EU ELV Directive 2000/53/EC	Not Compliant
China RoHS 2 Directive MIIT Order No 32, 2016	Restricted Materials Above Threshold
EU REACH Regulation (EC) No. 1907/2006	Current ECHA Candidate List: JUNE 2025 (250) Candidate List Declared Against: JUNE 2025 (250) SVHC > Threshold: Pb (3.7% in 74019790) Cd (100% in 10563731072)

#### Article Safe Usage Statements:

Use personal protective equipment as required. Do not eat, drink or smoke when using this product. Wash thoroughly after handling. Recycle if possible and dispose of the article by following all applicable governmental regulations relevant to your geographic location.

Halogen Content

Low Halogen - Br, Cl, F < 900 ppm per homogenous material. Also BFR/CFR/PVC Free


Solder Process Capability

Wave solder capable to 265°C

Product Compliance Disclaimer

This information is provided based on reasonable inquiry of our suppliers and represents our current actual knowledge based on the information they provided. This information is subject to change. The part numbers that TE has identified as EU RoHS compliant have a maximum concentration of 0.1% by weight in homogenous materials for lead, hexavalent chromium, mercury, PBB, PBDE, DBP, BBP, DEHP, DIBP, and 0.01% for cadmium, or qualify for an exemption to these limits as defined in the Annexes of Directive 2011/65/EU (RoHS2). Finished electrical and electronic equipment products will be CE marked as required by Directive 2011/65/EU. Components may not be CE marked. Additionally, the part numbers that TE has identified as EU ELV compliant have a maximum concentration of 0.1% by weight in homogenous materials for lead, hexavalent chromium, and mercury, and 0.01% for cadmium, or qualify for an exemption to these limits as defined in the Annexes of Directive 2000/53/EC (ELV). Regarding the REACH Regulation, the information TE provides on SVHC in articles for this part number is based on the latest European Chemicals Agency (ECHA) 'Guidance on requirements for substances in articles' posted at this URL: <https://echa.europa.eu/guidance-documents/guidance-on-reach>

### Customers Also Bought



TE Part #C08983-000  
214A011-100/180-0



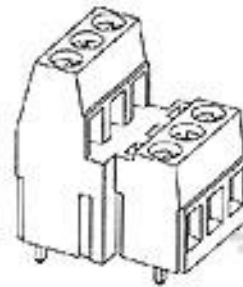
TE Part #NB19642001  
RNF-100-3/32-BK-STK



TE Part #Y6162-218-12770000  
COAX SOC ASSY



TE Part #205564-3  
AMPLIMITE,ASY,PLUG,STD,109,5,KIT



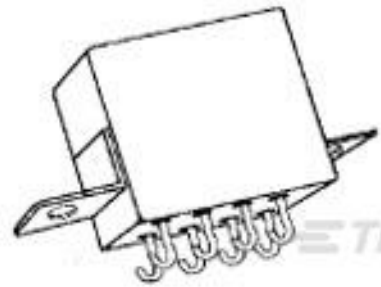
TE Part #282888-2  
TERMI-BLOK PCB MOUNT 1&2 2P. 5



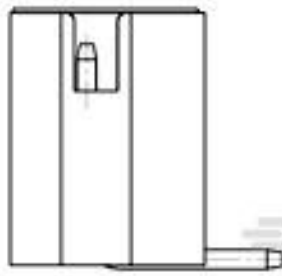
TE Part #3-641215-5  
05P MTA100 HDR ASSY FL 30AU LF




TE Part #1218124-1  
9 POS,ASSY,PLUG,LOW PROF,109



TE Part #5-1617758-2  
FCB-205-0226M=M83536/2-026M



TE Part #1775470-5  
HPI CONN., 2.0MM, V/T, SMT, 5P, 80U



TE Part #81542-20  
CONT SOC ASSY

### Documents



### Product Drawings

[37 POS,ASSY,PLUG,LOW PROF,109](#)

English

---

### CAD Files

Customer View Model

[ENG\\_CVM\\_1218124-4\\_E.3d\\_igs.zip](#)

English

Customer View Model

[ENG\\_CVM\\_1218124-4\\_E.3d\\_stp.zip](#)

English

Customer View Model

[ENG\\_CVM\\_1218124-4\\_E.2d\\_dxf.zip](#)

English

[3D PDF](#)

English

By downloading the CAD file I accept and agree to the [Terms and Conditions](#) of use.