



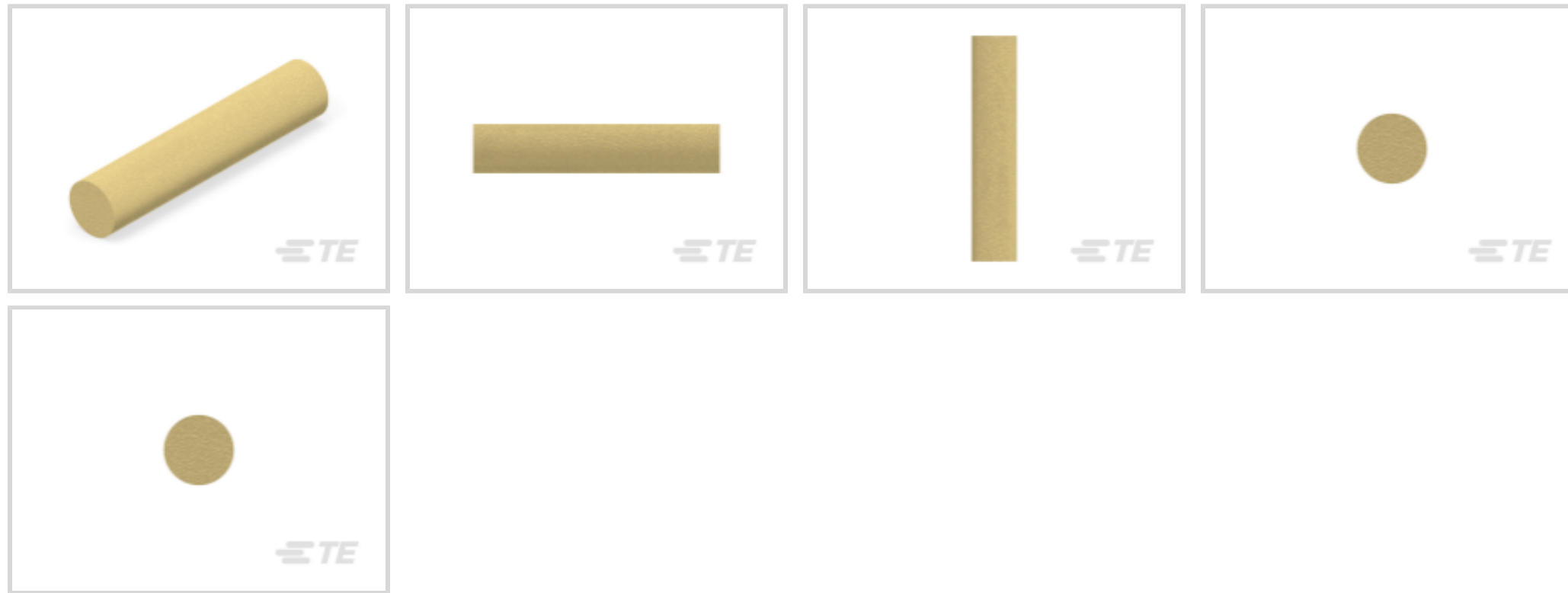
Kemtron | Kemtron 1201 Series

TE Internal #: 2418094-1

Extruded EMI Gasket, Conductive Strip, Silicone Binding, Silver Plated Aluminum (Ag/Al) Filler, Solid Round, Kemtron 1201 Series

[View on TE.com >](#)

EMI & EMC Solutions > EMI Shielding > EMI Gaskets > Extruded EMI Gasket Conductive Strip



Gasket Type: **Extruded EMI Gasket**

Finished Type: **Conductive Strip**

Binding Material: **Silicone**

Filler Material: **Silver Plated Aluminum (Ag/Al)**

Gasket Shape: **Solid Round**

[All Extruded EMI Gasket Conductive Strip \(56\)](#)

Features

Product Type Features

Finished Type	Conductive Strip
Binding Material	Silicone
Filler Material	Silver Plated Aluminum (Ag/Al)

Electrical Characteristics

Resistance to Petroleum	No
Volume Resistivity (Max)	.008 Ω.cm

Body Features

Gasket Type	Extruded EMI Gasket
Gasket Shape	Solid Round

Dimensions

Product Length	10 m[32.8 ft]
Outside Diameter	1 mm[.039 in]

Usage Conditions



Operating Temperature Range	-55 – 160 °C[-67 – 320 °F]
-----------------------------	----------------------------

Product Compliance

[For compliance documentation, visit the product page on TE.com>](#)

EU RoHS Directive 2011/65/EU	Compliant
EU ELV Directive 2000/53/EC	Compliant
China RoHS 2 Directive MIIT Order No 32, 2016	No Restricted Materials Above Threshold
EU REACH Regulation (EC) No. 1907/2006	Current ECHA Candidate List: JAN 2025 (247) Candidate List Declared Against: JUNE 2024 (241) SVHC > Threshold: DCP (.22% in Component) Article Safe Usage Statements: Do not eat, drink or smoke when using this product. Wash thoroughly after handling. Recycle if possible and dispose of the article by following all applicable governmental regulations relevant to your geographic location.

Halogen Content	Low Bromine/Chlorine - Br and Cl < 900 ppm per homogenous material. Also BFR /CFR/PVC Free
-----------------	--

Solder Process Capability	Not reviewed for solder process capability
---------------------------	--

Product Compliance Disclaimer

This information is provided based on reasonable inquiry of our suppliers and represents our current actual knowledge based on the information they provided. This information is subject to change. The part numbers that TE has identified as EU RoHS compliant have a maximum concentration of 0.1% by weight in homogenous materials for lead, hexavalent chromium, mercury, PBB, PBDE, DBP, BBP, DEHP, DIBP, and 0.01% for cadmium, or qualify for an exemption to these limits as defined in the Annexes of Directive 2011/65/EU (RoHS2). Finished electrical and electronic equipment products will be CE marked as required by Directive 2011/65/EU. Components may not be CE marked. Additionally, the part numbers that TE has identified as EU ELV compliant have a maximum concentration of 0.1% by weight in homogenous materials for lead, hexavalent chromium, and mercury, and 0.01% for cadmium, or qualify for an exemption to these limits as defined in the Annexes of Directive 2000/53/EC (ELV). Regarding the REACH Regulation, the information TE provides on SVHC in articles for this part number is based on the latest European Chemicals Agency (ECHA) 'Guidance on requirements for substances in articles' posted at this URL: <https://echa.europa.eu/guidance-documents/guidance-on-reach>

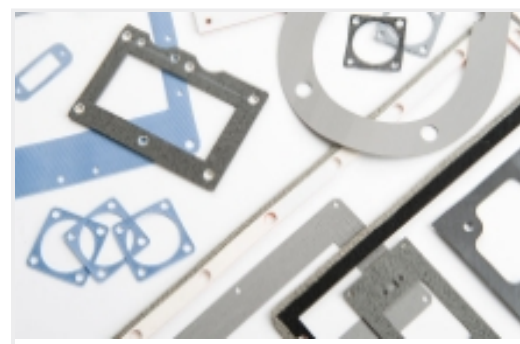
Compatible Parts

 <p>TE Part # 2503494-1 1201-FSA-0030</p>	 <p>TE Part # CAT-EMIG-0001 Extruded EMI Gasket Conductive Strip</p>	 <p>TE Part # 2502987-1 1201-SNG-0030-100m</p>	 <p>TE Part # 2452640-1 SNA Cord 1.0mm x 10m L</p>
--	---	---	---

Also in the Series | [Kemtron 1201 Series](#)

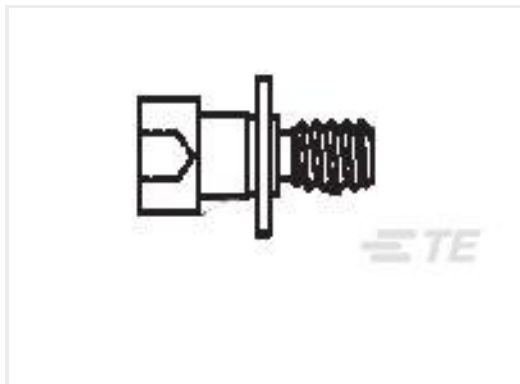


EMI Gaskets(48)



Medical EMI & EMC Solutions(48)

Customers Also Bought



TE Part #5-1532137-5
M83513/05-02, RM, JKS, ALLEN, L PR, 2-56



TE Part #4-2176325-0
CRGP 0402 18K 1%



TE Part #CAT-EMIG-0001
Extruded EMI Gasket Conductive Strip



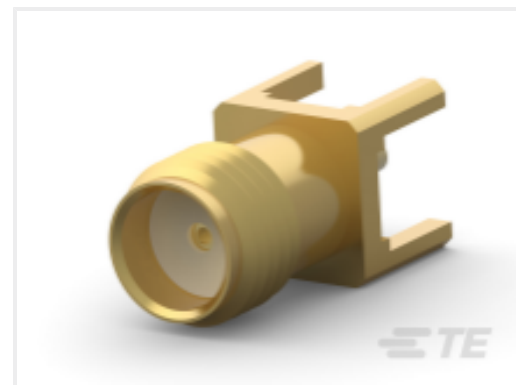
TE Part #1622205-1
LR0204 1% 270R



TE Part #2-1478762-5
METAL BACKSHELL 25 WAY TOP E



TE Part #1622193-1
LR0204 1% 220K



TE Part #5-1814832-2
SMA Str PCB Skt GZD



TE Part #7-1879208-7
CPF 0402 15K 0.1% 25PPM 1K RL



TE Part #1-1393277-7
V23076A3001D142

Documents

Product Drawings

[SSA Cord 1.0mm x 10m L](#)

English

Datasheets & Catalog Pages

[Performance Materials brochure](#)

English

[Datasheet - Conductive Elastomers](#)



English

[Product Specifications](#)

[Application Specification](#)

English