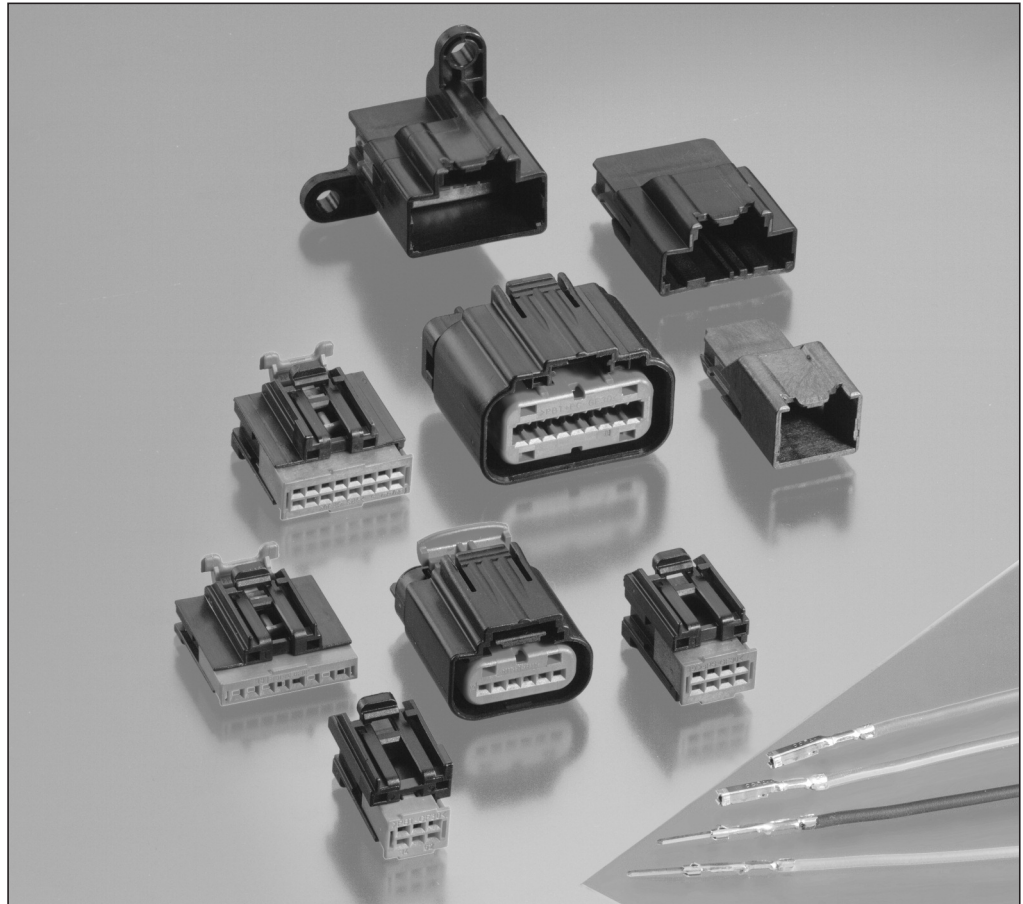
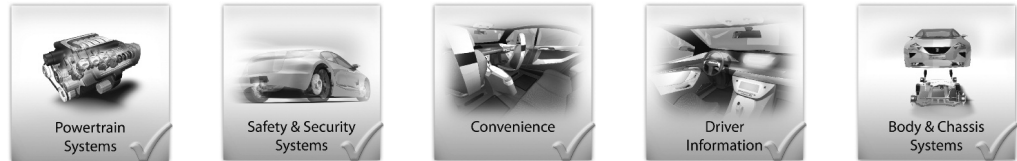


Introduction



GET.64 Interconnection System

The GET.64 Interconnection System is used worldwide in various applications for automotive interconnections. It fulfills requirements for passenger and engine compartment.

High packaging density is possible for sealed applications due to mat seal capability.

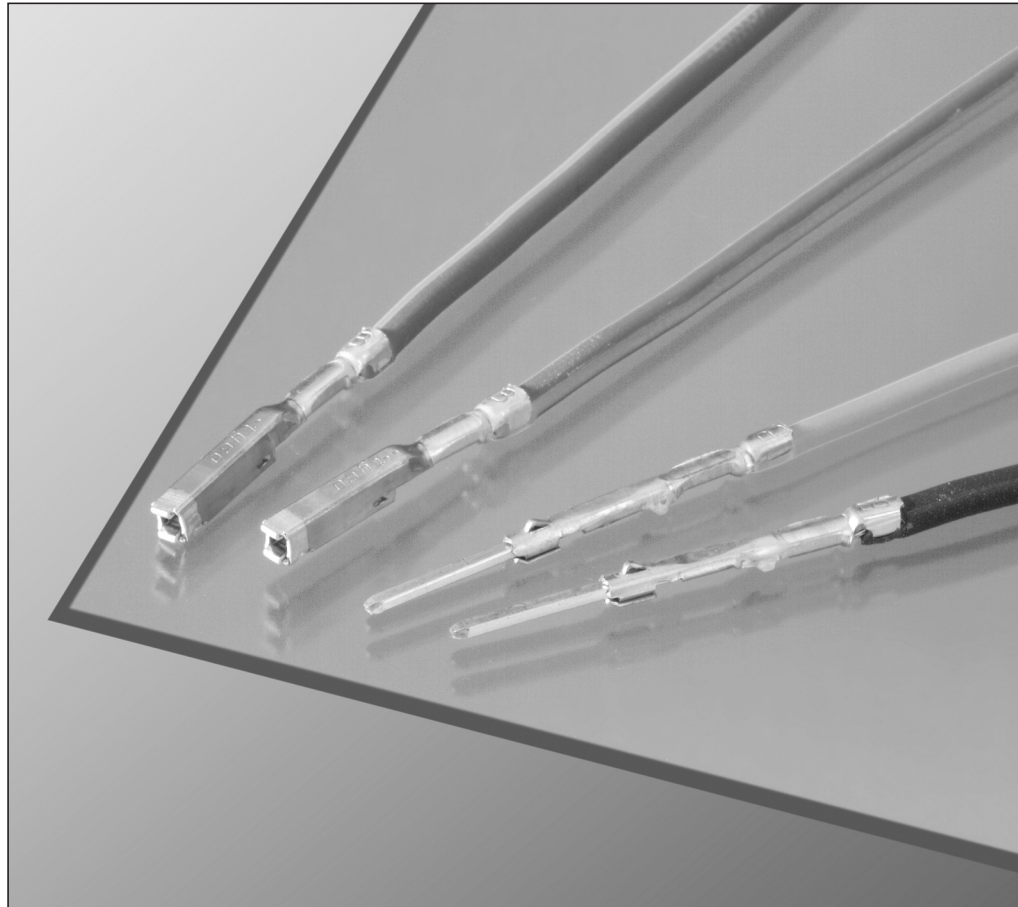
Technical Features

- Product offering includes wire-to-wire, wire-to-board and wire-to-device configurations
- High range of pin count variants
- Tangle free contact offered as tin, silver and gold plating
- Female terminal accepts blades from 0.64 x 0.64 mm up to 1.2 x 0.64 mm
- Sealed and unsealed connector housings available (straight mate or lever actuated)
- Mat seals allow high packaging density
- Design allows for specific pinout versions, no blind plugs necessary in sealed applications

Engineering Notes

A large grid area for engineering notes, consisting of a uniform grid of small squares. The grid is empty and occupies the majority of the page's vertical space.

Introduction



Features

- CPA capability
 - Assures connector mating
- USCAR & SDS compatibility
 - Standard interface for multiple applications
- 2.54 mm x 2.54 mm spacing
 - Typically smaller than competition
- 8 keying options
 - Maximum design flexibility
- Tang-free contact
 - Easier harness handling/production
- Good Stress Relaxation performance (70 % remaining after 3000 hr @ 150 °C)
 - Used in USCAR Class III range (-40 °C to +125 °C)

- 0.22 to 0.75 mm² wire range
 - Two terminal sizes cover 3–8 amp requirements (20 °C T-rise)
- 10 mating cycles (tin, silver or gold)
 - Robust receptacle to handle multiple mates
- Accepts up to 1.0 mm wide blade
 - Large interface flexibility and robustness
- Same shorting bar design for sealed, unsealed, gold and tin systems
 - Economical shorting bar solution

Applications

- Airbag Restraint Modules
- Power Control Modules
- Generic Control Modules
- Unsealed Harness Wiring
 - Inline Connections
 - Instrument Panel
 - Audio
 - Mirror
 - Switches
 - Actuators
 - Overhead Consoles
- Sealed Harness Wiring
 - Mass Air Flow
 - Passenger Sensing

Product Offering

- Tin, Silver and Gold Platings
- Wire-to-Wire
- Wire-to-PC Board
- Wire-to-Device
- Unsealed and Sealed
- Hand Mate and Lever Actuated

Receptacle Contacts

Technical Features

Insertion Force:

- Tin Terminals: <4.0 N
- Silver Terminals: <3.5 N
- Gold Terminals: <2.0 N

Terminal Retention Force:

- >30 N (Preliminary)
- >75 N (Permanent)

Temperature Classification (according to USCAR):

- Tin Terminals Class II:
–40 °C to +120 °C max.
up to +125 °C max.
- Silver and Gold Terminals Class III:
–40 °C to +145 °C max.

Vibration (per USCAR):

- Unsealed Applications:
Body and Instrument Panel Profile
- Sealed Applications:
Engine Compartment Profile

Dielectric Strength:

1,000 V AC min.

Voltage Drop (Initial Interface):

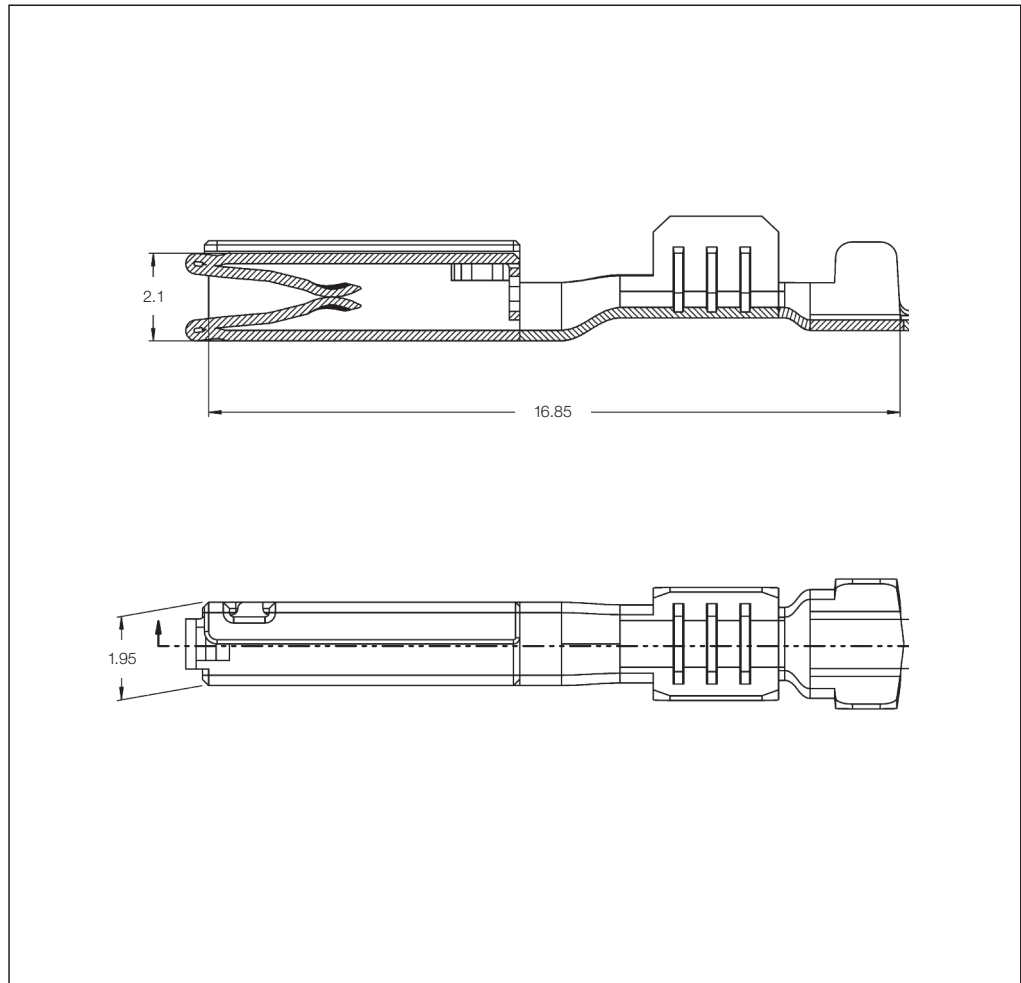
1.0 mV/A max.

Isolation Resistance:

20 MW @ 500 DC 500 V min.

Extraction Tool:

Part No. **3-1579007-6**



Receptacle Contacts

| Wire Size Range (mm ²) | Insulation Diameter (mm) | Material and Finish | Part Numbers | | | | | |
|------------------------------------|--------------------------|---------------------|--------------|----------------|-------------|----------------|-------------|-------------|
| | | | Strip Form | Packaging Unit | Loose-Piece | Packaging Unit | Applicator | Hand Tool |
| 0.22–0.35 | 1.10–1.65 | Gold plated | 1393364-1 | 10,000 | | | | |
| | | Gold shunted | 1393364-2 | 10,000 | – | – | x-1528005-x | 6-1393462-4 |
| | | Tin plated | 1393367-1 | 10,000 | | | | |
| | | Silver plated | 1393367-2 | 10,000 | | | | |
| 0.50–0.75 | 1.40–2.06 | Gold plated | 1393365-1 | 10,000 | | | | |
| | | Gold shunted | 1393365-2 | 10,000 | – | – | x-1528268-x | 6-1393462-5 |
| | | Tin plated | 1393366-1 | 10,000 | | | | |
| | | Silver plated | 1393366-2 | 10,000 | | | | |

Note: All Part Numbers are RoHS and ELV compliant.

Pin Contacts

Technical Features

Pin Bend Strength:
>6 N
(Held at box, force applied at tip)

Terminal Retention Force:
>30 N (Preliminary)
>75 N (Permanent)

Temperature Classification (according to USCAR)

- Tin Terminals Class II:
-40 °C to +120 °C max.
up to +125 °C max.
- Gold Terminals Class III:
-40 °C to +145 °C max.

Vibration (per USCAR)

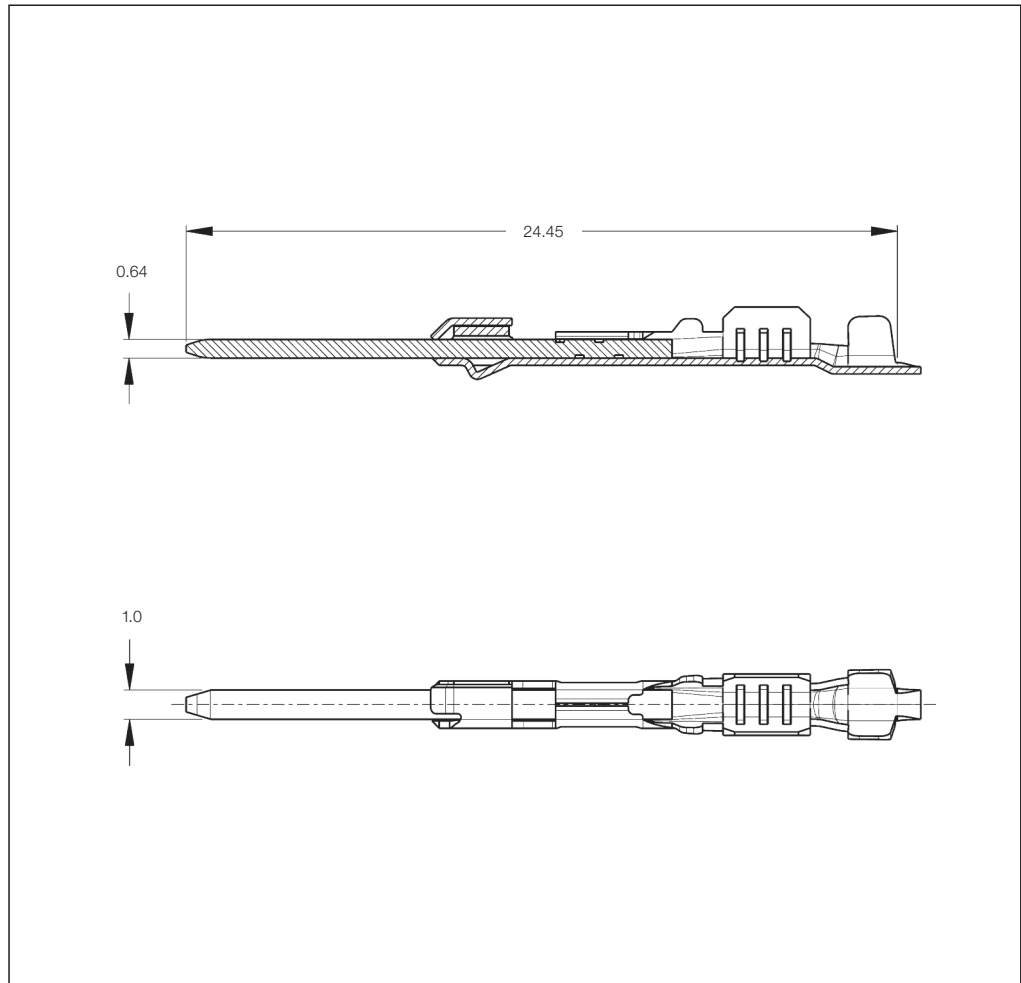
Unsealed Applications:
Body and Instrument Panel Profile

Dielectric Strength:
1,000 V AC min.

Voltage Drop (Initial Interface):
1.0 mV/A max.

Isolation Resistance:
20 MW @ 500 DC 500 V min.

Extraction Tool:
Part No. **3-1579007-6**



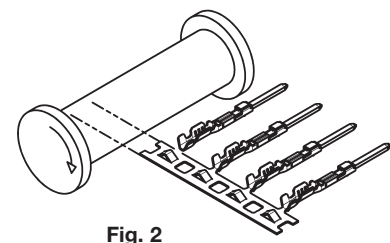
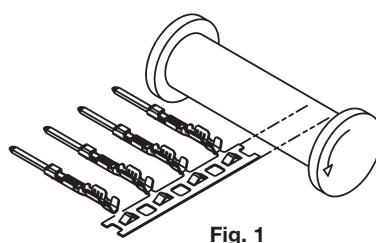
Pin Contacts

| Wire Size Range (mm ²) | Insulation Diameter (mm) | Material and Finish | Part Numbers | | | | | Applicator | Hand Tool |
|------------------------------------|--------------------------|---------------------|---------------|----------------|-------------|----------------|-------------|-------------|-----------|
| | | | Strip Form | Packaging Unit | Loose-Piece | Packaging Unit | | | |
| 0.22-0.35 | 1.10-1.65 | Gold plated | 3-1419158-1 ① | 10,000 | - | - | N/A | 6-1393462-4 | |
| | | Tin plated | 1-1419158-6 ① | 10,000 | - | - | | | |
| | | Gold plated | 1438299-1 ② | 10,000 | - | - | x-1528005-x | | |
| | | Tin plated | 1438299-2 ② | 10,000 | - | - | | | |
| 0.50-0.75 | 1.40-2.06 | Gold plated | 2-1419158-3 ① | 10,000 | - | - | N/A | 6-1393462-5 | |
| | | Tin plated | 2-1419158-5 ① | 10,000 | - | - | | | |
| | | Gold plated | 1438299-3 ② | 10,000 | - | - | x-1528268-x | | |
| | | Tin plated | 1438299-4 ② | 10,000 | - | - | | | |

Note: All Part Numbers are RoHS and ELV compliant.

① Standard Reeling Direction (Fig. 1)

② Optional Reeling Direction (Fig. 2)



Receptacle Contacts

Technical Features

Insertion Force:

– Tin Terminals: <4.0 N

Terminal Retention Force:

>30 N (Preliminary)

>75 N (Permanent)

Temperature Classification (according to USCAR):

– Tin Terminals Class II:
–40 °C to +120 °C max.
up to +125 °C max.

Vibration (per USCAR):

– Unsealed Applications:
Body and Instrument Panel
Profile

– Sealed Applications:
Engine Compartment Profile

Dielectric Strength:

1,000 V AC min.

Voltage Drop (Initial Interface):

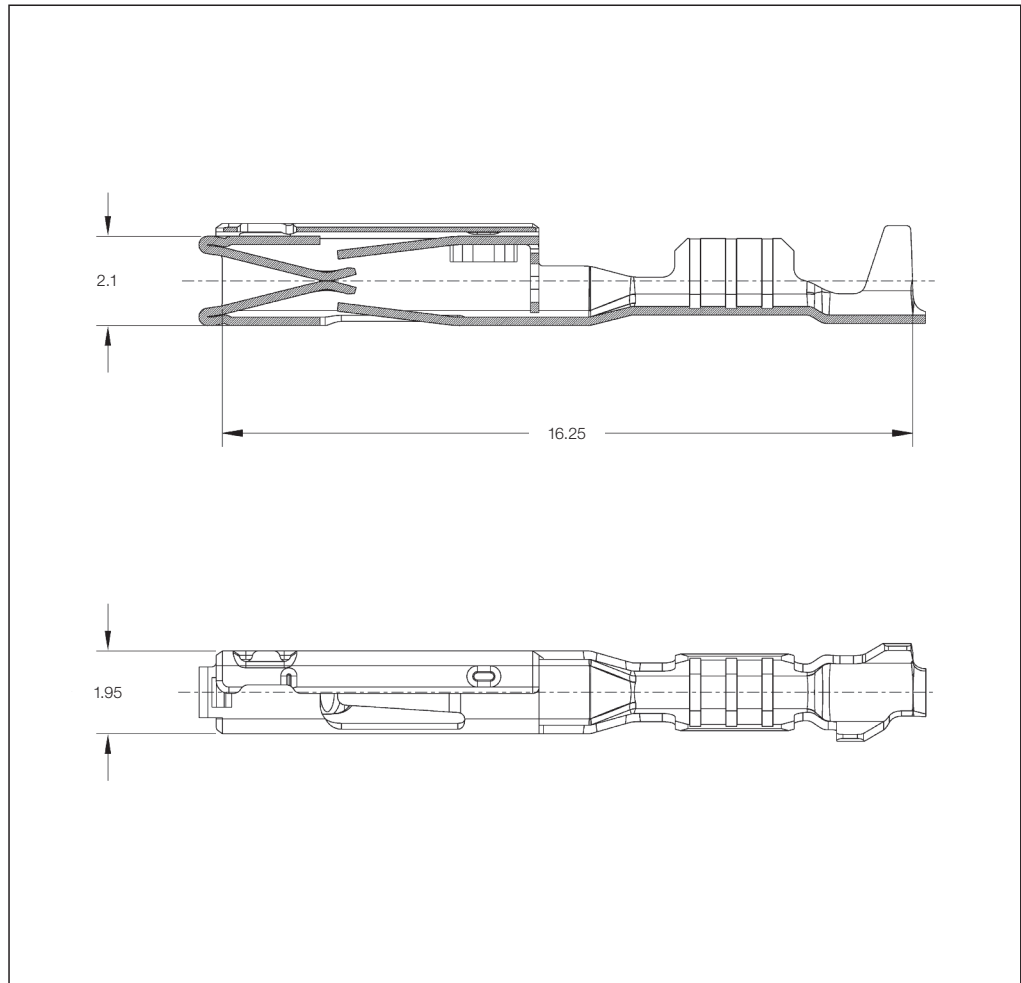
1.0 mV/A max.

Isolation Resistance:

20 MW @ 500 DC 500 V min.

Extraction Tool:

Part No. **3-1579007-6**

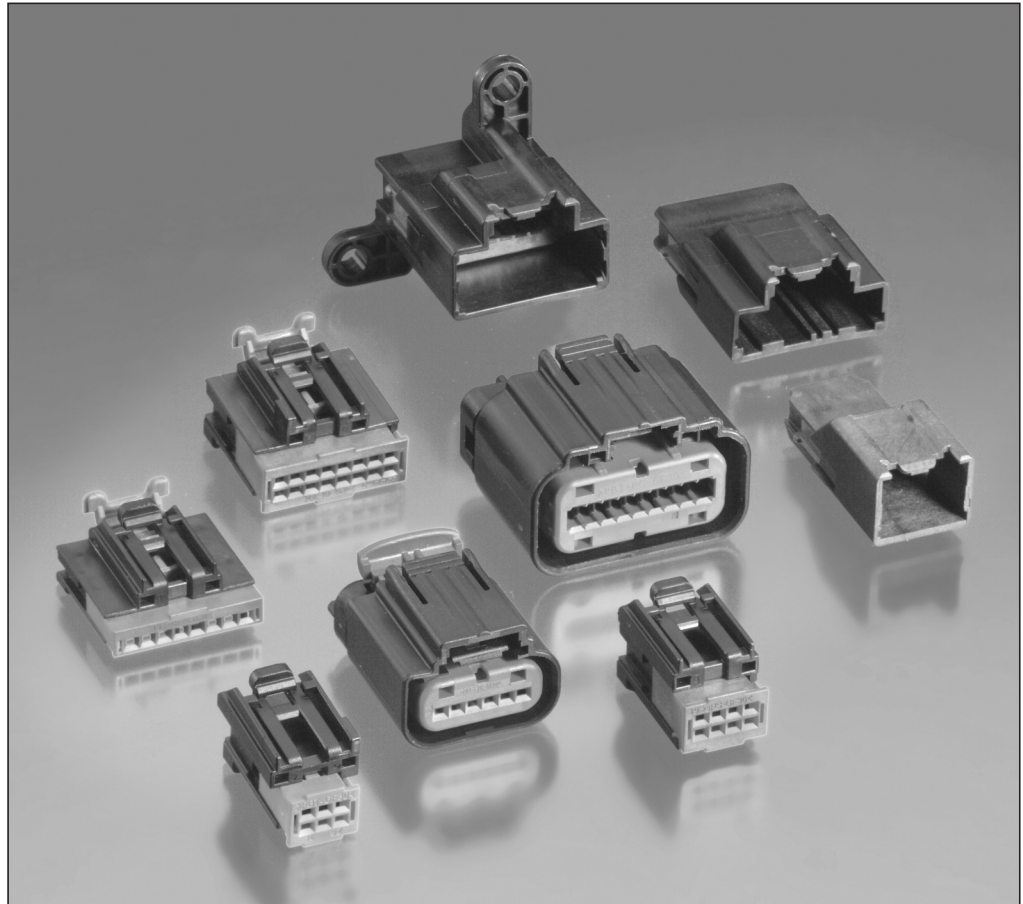


Receptacle Contacts

| Wire Size Range (mm ²) | Insulation Diameter (mm) | Material and Finish | Part Numbers | | | | Applicator | Hand Tool |
|------------------------------------|--------------------------|---------------------|--------------|----------------|-------------|----------------|------------|-----------|
| | | | Strip Form | Packaging Unit | Loose-Piece | Packaging Unit | | |
| 0.13 | 0.80–1.05 | Tin plated | 1564880-1 | 10,000 | | | 1157164-6 | |
| 0.22–0.35 | 1.10–1.65 | Tin plated | 1719957-1 | 10,000 | – | – | 1528698-6 | – |
| 0.50–0.75 | 1.40–2.06 | Tin plated | 1719958-1 | 10,000 | – | – | 1528699-6 | |

Note: All Part Numbers are RoHS and ELV compliant.

Introduction



Features

- CPA capability
 - Assures connector mating
- USCAR & SDS compatibility
 - Standard interface for multiple applications
- 2.54 mm x 2.54 mm spacing
 - Typically smaller than competition
- 8 keying options
 - Maximum design flexibility
- Tang-free contact
 - Easier harness handling/production
- Good Stress Relaxation performance (70 % remaining after 3000 hr @ 150 °C)
 - Used in USCAR Class III range (-40 °C to +125 °C)

- 0.22 to 0.75 mm² wire range
 - Two terminal sizes cover 3–8 amp requirements (20 °C T-rise)
- 10 mating cycles (tin, silver or gold)
 - Robust receptacle to handle multiple mates
- Accepts up to 1.0 mm wide blade
 - Large interface flexibility and robustness
- Same shorting bar design for sealed, unsealed, gold and tin systems
 - Economical shorting bar solution

Applications

- Airbag Restraint Modules
- Power Control Modules
- Generic Control Modules
- Unsealed Harness Wiring
 - Inline Connections
 - Instrument Panel
 - Audio
 - Mirror
 - Switches
 - Actuators
 - Overhead Consoles
- Sealed Harness Wiring
 - Mass Air Flow
 - Passenger Sensing

Product Offering

- Tin, Silver and Gold Platings
- Wire-to-Wire
- Wire-to-PC Board
- Wire-to-Device
- Unsealed and Sealed
- Hand Mate and Lever Actuated

Unsealed Receptacle Housings 1-Row

Technical Features

No. of Positions:

2 (1 x 2) Position Assy

Housing Material:

PA66 GF35

Wire Size Range:

0.22–0.75 mm²

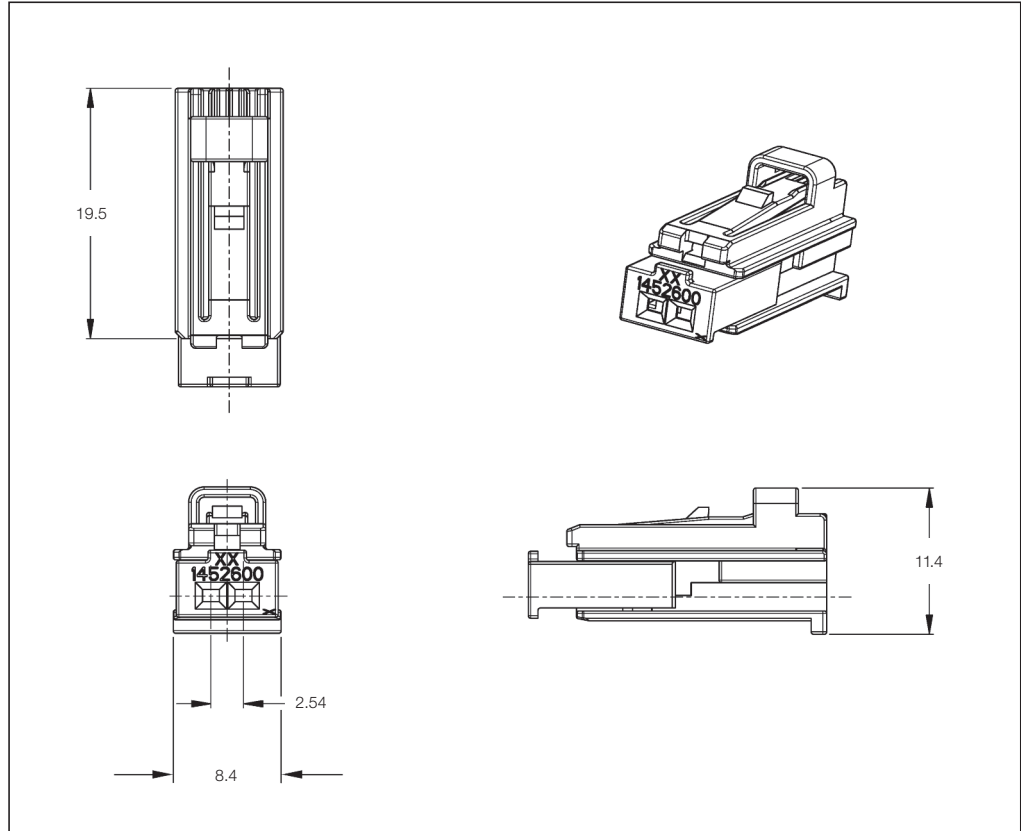
Product Specification:

114-13060

Application Specifications:

408-8955

408-8600



Unsealed Receptacle Housings 1-Row

| No. of Positions | Keying Options | Housing Color | Part Numbers | | | | | | |
|------------------|----------------|---------------|--------------------|-------|----------------|-----------------|--------------------|-------------------------------|----------------------------|
| | | | Receptacle Housing | Cover | Locking Device | Cover and Lever | Mating Pin Housing | Mating PCB Header Right-Angle | Mating PCB Header Vertical |
| 2 (1 x 2) | A | Black | 1452598-1 | – | – | – | 1452601-1 | 1452625-1 | 1452623-1 |

Unsealed Receptacle Housings 1-Row

Technical Features

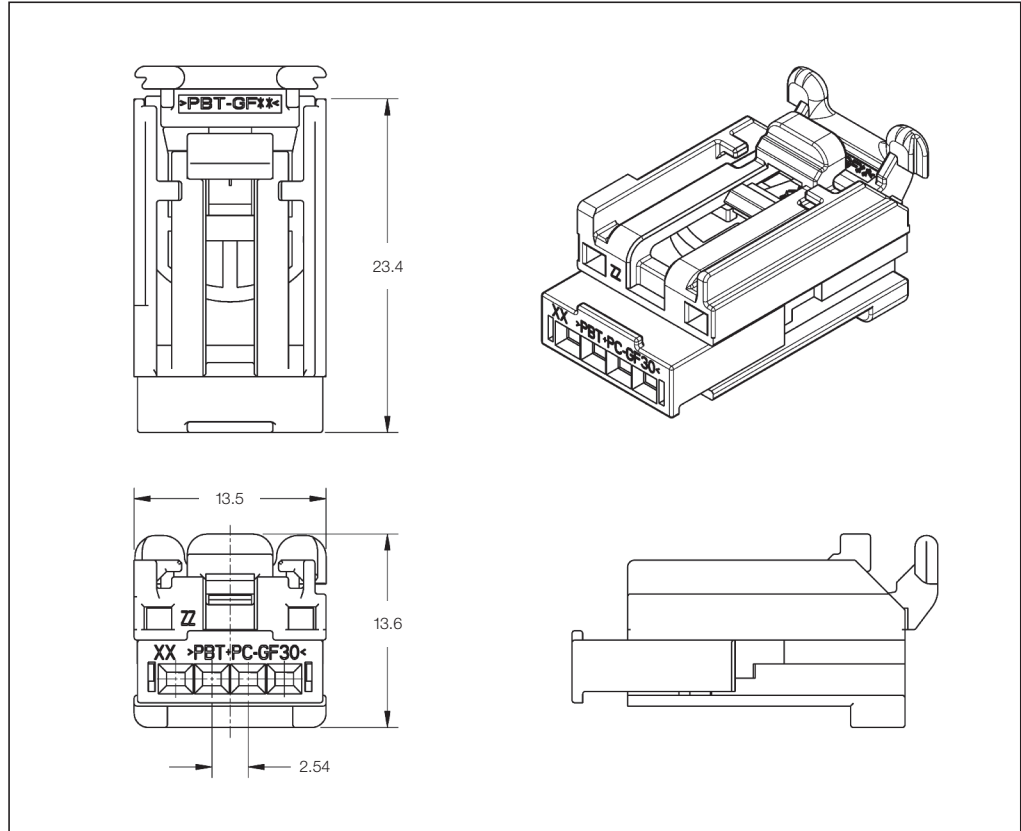
No. of Positions:
4 (1 x 4) Position Assy

Housing Material:
PA66 GF35

Wire Size Range:
0.22–0.75 mm²

Product Specification:
114-13060

Application Specifications:
408-8955
408-8600



Unsealed Receptacle Housings 1-Row with CPA

| No. of Positions | Keying Options | Housing Color | Part Numbers | | | | | | |
|------------------|----------------|---------------|--------------------|-------|----------------|-----------------|--------------------|-------------------------------|----------------------------|
| | | | Receptacle Housing | Cover | Locking Device | Cover and Lever | Mating Pin Housing | Mating PCB Header Right-Angle | Mating PCB Header Vertical |
| 4 (1 x 4) | A | Black | 6-1419169-8 | – | – | – | 6-1419166-1 | – | – |
| | B | Black | 6-1419169-9 | – | – | – | 6-1419166-2 | – | – |
| | C | Black | 6-1419169-2 | – | – | – | 9-1419157-4 | – | – |
| | D | Black | 6-1419169-3 | – | – | – | 5-1419166-6 | – | – |

Unsealed Receptacle Housings 1-Row without CPA

| No. of Positions | Keying Options | Housing Color | Part Numbers | | | | | | |
|------------------|----------------|---------------|--------------------|-------|----------------|-----------------|--------------------|-------------------------------|----------------------------|
| | | | Receptacle Housing | Cover | Locking Device | Cover and Lever | Mating Pin Housing | Mating PCB Header Right-Angle | Mating PCB Header Vertical |
| 4 (1 x 4) | A | Black | 3-1419158-2 | – | – | – | 6-1419166-1 | – | – |
| | B | Black | 5-1419169-2 | – | – | – | 6-1419166-2 | – | – |
| | C | Black | 4-1419169-6 | – | – | – | 9-1419157-4 | – | – |
| | D | Black | 4-1419169-7 | – | – | – | 5-1419166-6 | – | – |

Unsealed Low Profile Latch 1-Row

Technical Features

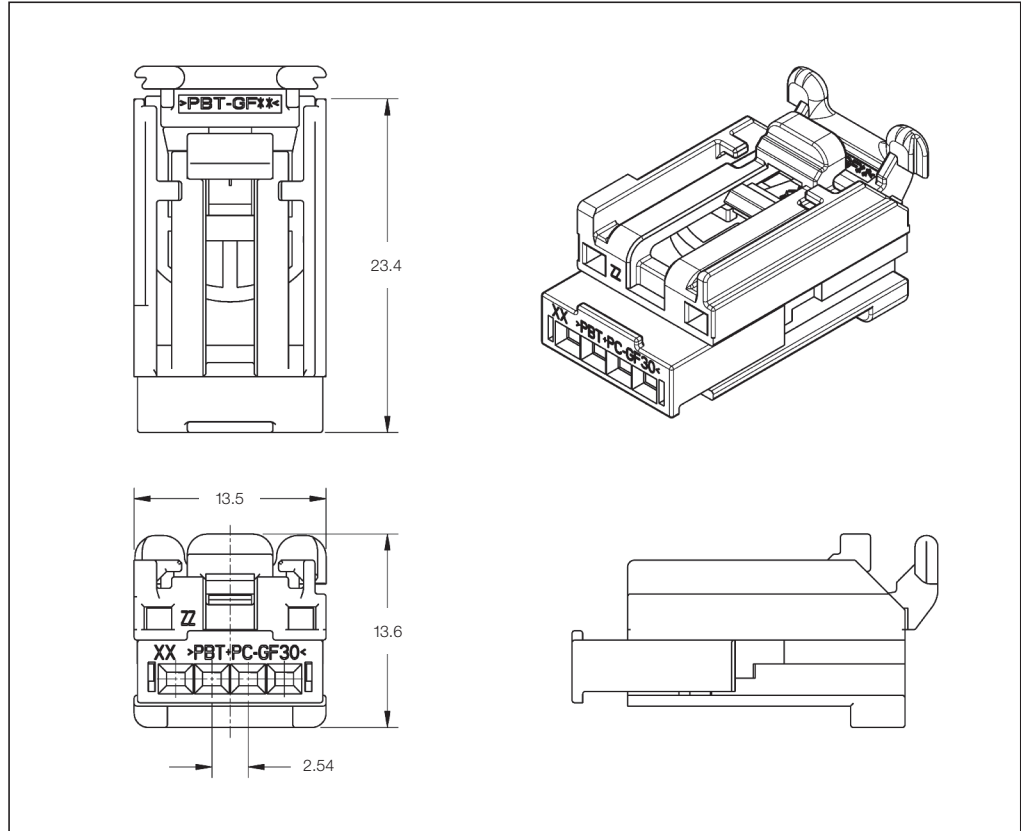
No. of Positions:
4 (1 x 4) Position Assy

Housing Material:
PA66 GF35

Wire Size Range:
0.22–0.75 mm²

Product Specification:
114-13060

Application Specifications:
408-8955
408-8600



Unsealed Low Profile Latch 1-Row with CPA

| No. of Positions | Keying Options | Housing Color | Part Numbers | | | | | | |
|------------------|----------------|---------------|--------------------|-------|----------------|-----------------|--------------------|-------------------------------|----------------------------|
| | | | Receptacle Housing | Cover | Locking Device | Cover and Lever | Mating Pin Housing | Mating PCB Header Right-Angle | Mating PCB Header Vertical |
| 4 (1 x 4) | A | Black | 1456983-2 | – | – | – | 6-1419166-1 | – | – |
| | B | Black | 1456983-4 | – | – | – | 6-1419166-2 | – | – |
| | C | Black | 1456983-6 | – | – | – | 9-1419157-4 | – | – |
| | D | Black | 1456983-8 | – | – | – | 5-1419166-6 | – | – |

Unsealed Low Profile Latch 1-Row without CPA

| No. of Positions | Keying Options | Housing Color | Part Numbers | | | | | | |
|------------------|----------------|---------------|--------------------|-------|----------------|-----------------|--------------------|-------------------------------|----------------------------|
| | | | Receptacle Housing | Cover | Locking Device | Cover and Lever | Mating Pin Housing | Mating PCB Header Right-Angle | Mating PCB Header Vertical |
| 4 (1 x 4) | A | Black | 1456983-1 | – | – | – | 6-1419166-1 | – | – |
| | B | Black | 1456983-3 | – | – | – | 6-1419166-2 | – | – |
| | C | Black | 1456983-5 | – | – | – | 9-1419157-4 | – | – |
| | D | Black | 1456983-7 | – | – | – | 5-1419166-6 | – | – |

Unsealed Receptacle Housings 1-Row

Technical Features

No. of Positions:

4 (1 x 4) Position Assy
Side Latch

Housing Material:

PA66 GF35

Wire Size Range:

0.22–0.75 mm²

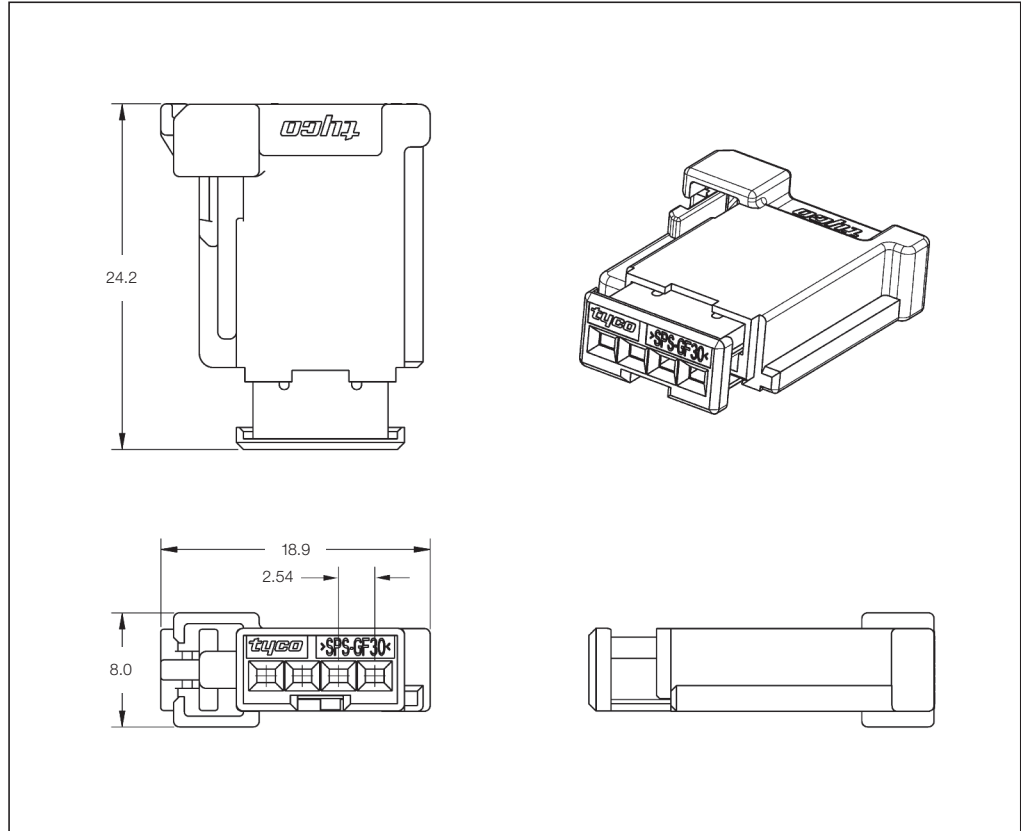
Product Specification:

114-13060

Application Specifications:

408-8955

408-8600



Unsealed Receptacle Housings 1-Row

| No. of Positions | Keying Options | Housing Color | Part Numbers | | | | | | |
|------------------|----------------|---------------|--------------------|-------|----------------|-----------------|--------------------|-------------------------------|----------------------------|
| | | | Receptacle Housing | Cover | Locking Device | Cover and Lever | Mating Pin Housing | Mating PCB Header Right-Angle | Mating PCB Header Vertical |
| 4 (1 x 4) | A | Black | 1438122-1 | – | – | – | 6-1419166-1 | – | – |

Unsealed Receptacle Housings 1-Row

Technical Features

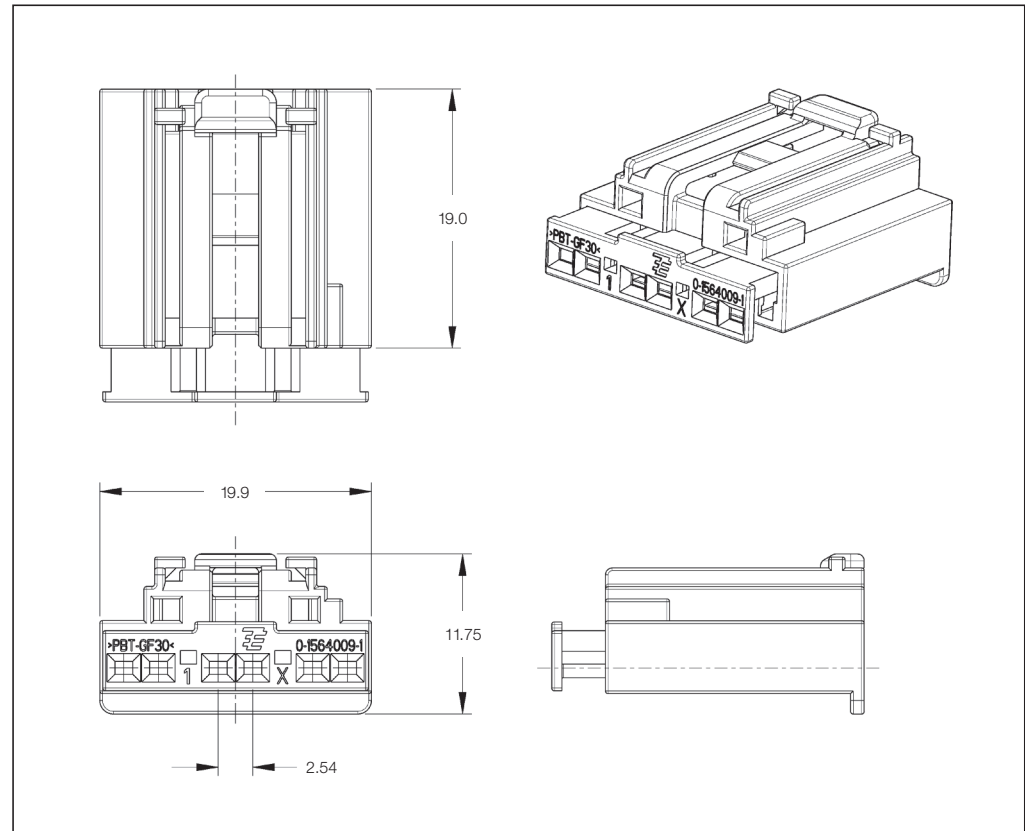
No. of Positions:
6 (1 x 6) Position Assy

Housing Material:
PA66 GF35

Wire Size Range:
0.22–0.75 mm²

Product Specification:
114-13060

Application Specification:
—



Unsealed Receptacle Housings 1-Row without CPA

| No. of Positions | Keying Options | Housing Color | Part Numbers | | | | | | |
|------------------|----------------|---------------|--------------------|-------|----------------|-----------------|--------------------|-------------------------------|----------------------------|
| | | | Receptacle Housing | Cover | Locking Device | Cover and Lever | Mating Pin Housing | Mating PCB Header Right-Angle | Mating PCB Header Vertical |
| 6 (1 x 6) | — | Yellow | 1564003-1 | — | — | — | 1564004-1 | — | — |

Unsealed Receptacle Housings 1-Row

Technical Features

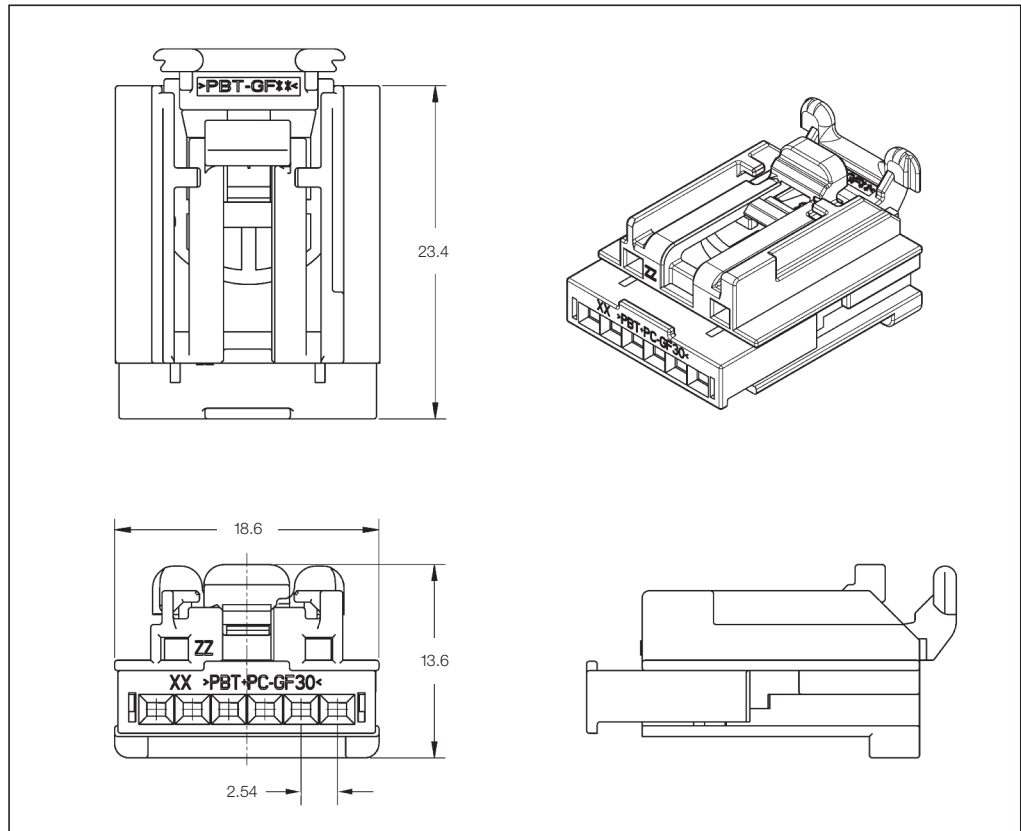
No. of Positions:
6 (1 x 6) Position Assy

Housing Material:
PA66 GF35

Wire Size Range:
0.22–0.75 mm²

Product Specification:
114-13060

Application Specification:
408-8955



Unsealed Receptacle Housings 1-Row with CPA

| No. of Positions | Keying Options | Housing Color | Part Numbers | | | | | | |
|------------------|----------------|---------------|--------------------|-------|----------------|-----------------|--------------------|-------------------------------|----------------------------|
| | | | Receptacle Housing | Cover | Locking Device | Cover and Lever | Mating Pin Housing | Mating PCB Header Right-Angle | Mating PCB Header Vertical |
| 6 (1 x 6) | B | Black | 9-1419169-0 | | | | | | |
| | C | Black | 8-1419169-3 | - | - | - | - | - | - |
| | D | Black | 8-1419169-4 | | | | | | |

Unsealed Receptacle Housings 1-Row without CPA

| No. of Positions | Keying Options | Housing Color | Part Numbers | | | | | | |
|------------------|----------------|---------------|--------------------|-------|----------------|-----------------|--------------------|-------------------------------|----------------------------|
| | | | Receptacle Housing | Cover | Locking Device | Cover and Lever | Mating Pin Housing | Mating PCB Header Right-Angle | Mating PCB Header Vertical |
| 6 (1 x 6) | B | Black | 1419158-4 | | | | | | |
| | C | Black | 1419158-1 | | | | | | |
| | D | Black | 1419158-2 | - | - | - | - | - | - |
| | E | Black | 7-1419169-0 | | | | | | |
| | F | Black | 7-1419169-1 | | | | | | |

Unsealed Low Profile Latch 1-Row

Technical Features

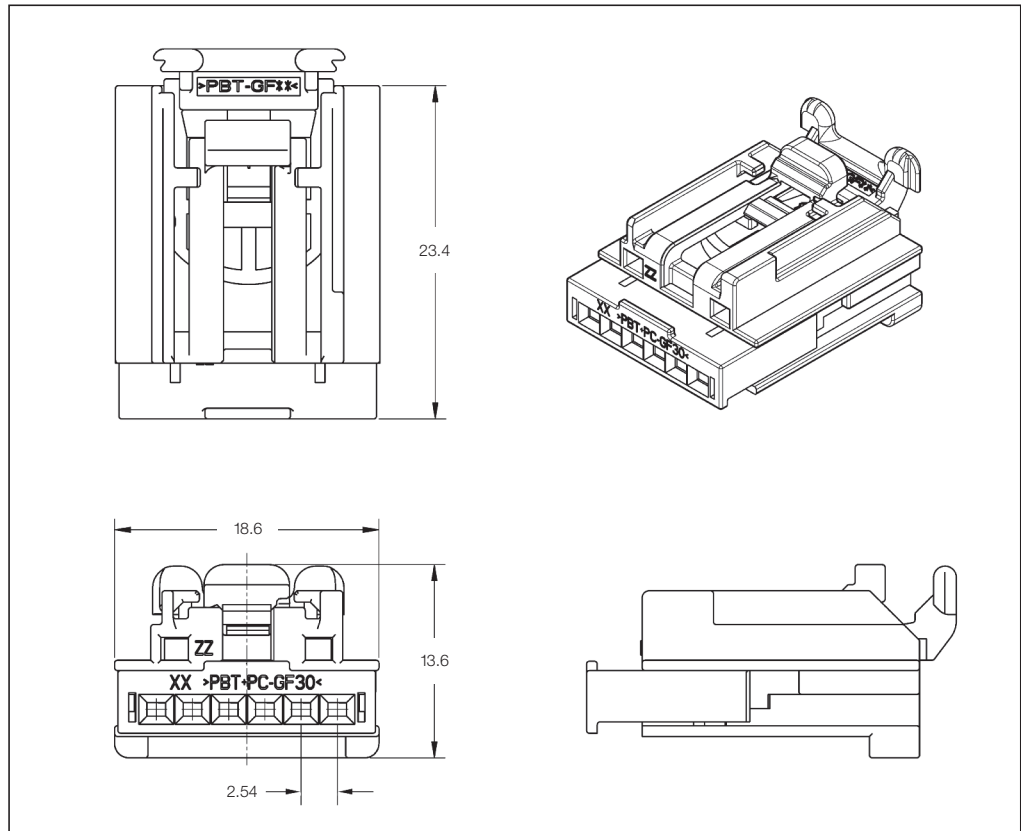
No. of Positions:
6 (1 x 6) Position Assy

Housing Material:
PA66 GF35

Wire Size Range:
0.22–0.75 mm²

Product Specification:
114-13060

Application Specification:
408-8955



Unsealed Low Profile Latch 1-Row with CPA

| No. of Positions | Keying Options | Housing Color | Part Numbers | | | | | | |
|------------------|----------------|---------------|--------------------|-------|----------------|-----------------|--------------------|-------------------------------|----------------------------|
| | | | Receptacle Housing | Cover | Locking Device | Cover and Lever | Mating Pin Housing | Mating PCB Header Right-Angle | Mating PCB Header Vertical |
| 6 (1 x 6) | B | Black | 1456985-2 | | | | | | |
| | C | Black | 1456985-4 | | | | | | |
| | D | Black | 1456985-6 | - | - | - | - | - | - |
| | E | Black | 1456985-8 | | | | | | |
| | F | Black | 1-1456985-0 | | | | | | |

Unsealed Low Profile Latch 1-Row without CPA

| No. of Positions | Keying Options | Housing Color | Part Numbers | | | | | | |
|------------------|----------------|---------------|--------------------|-------|----------------|-----------------|--------------------|-------------------------------|----------------------------|
| | | | Receptacle Housing | Cover | Locking Device | Cover and Lever | Mating Pin Housing | Mating PCB Header Right-Angle | Mating PCB Header Vertical |
| 6 (1 x 6) | B | Black | 1456985-1 | | | | | | |
| | C | Black | 1456985-3 | | | | | | |
| | D | Black | 1456985-5 | - | - | - | - | - | - |
| | E | Black | 1456985-7 | | | | | | |
| | F | Black | 1456985-9 | | | | | | |

Unsealed Receptacle Housings 1-Row

Technical Features

No. of Positions:

6 (1 x 6) Position Assy
Side Latch

Housing Material:

PA66 GF35

Wire Size Range:

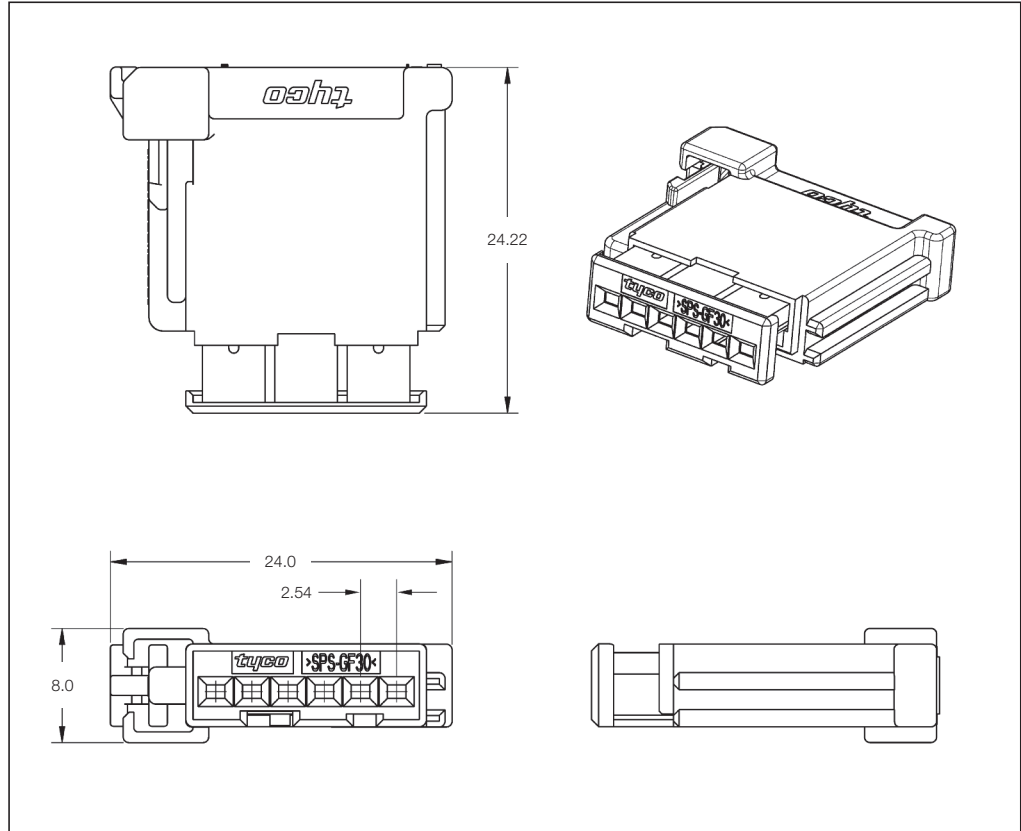
0.22–0.75 mm²

Product Specification:

114-13060

Application Specification:

408-8955



Unsealed Receptacle Housings 1-Row

| No. of Positions | Keying Options | Housing Color | Part Numbers | | | | | | |
|------------------|----------------|---------------|--------------------|-------|----------------|-----------------|--------------------|-------------------------------|----------------------------|
| | | | Receptacle Housing | Cover | Locking Device | Cover and Lever | Mating Pin Housing | Mating PCB Header Right-Angle | Mating PCB Header Vertical |
| 6 (1 x 6) | B | Black | 1438156-2 | - | - | - | - | - | - |
| | C | Black | 1488752-3 | - | - | - | - | - | - |

Unsealed Receptacle Housings 1-Row

Technical Features

No. of Positions:

6 (1 x 6) Position Assy
with/without Shorting Bar

Housing Material:

PA66 GF35

Wire Size Range:

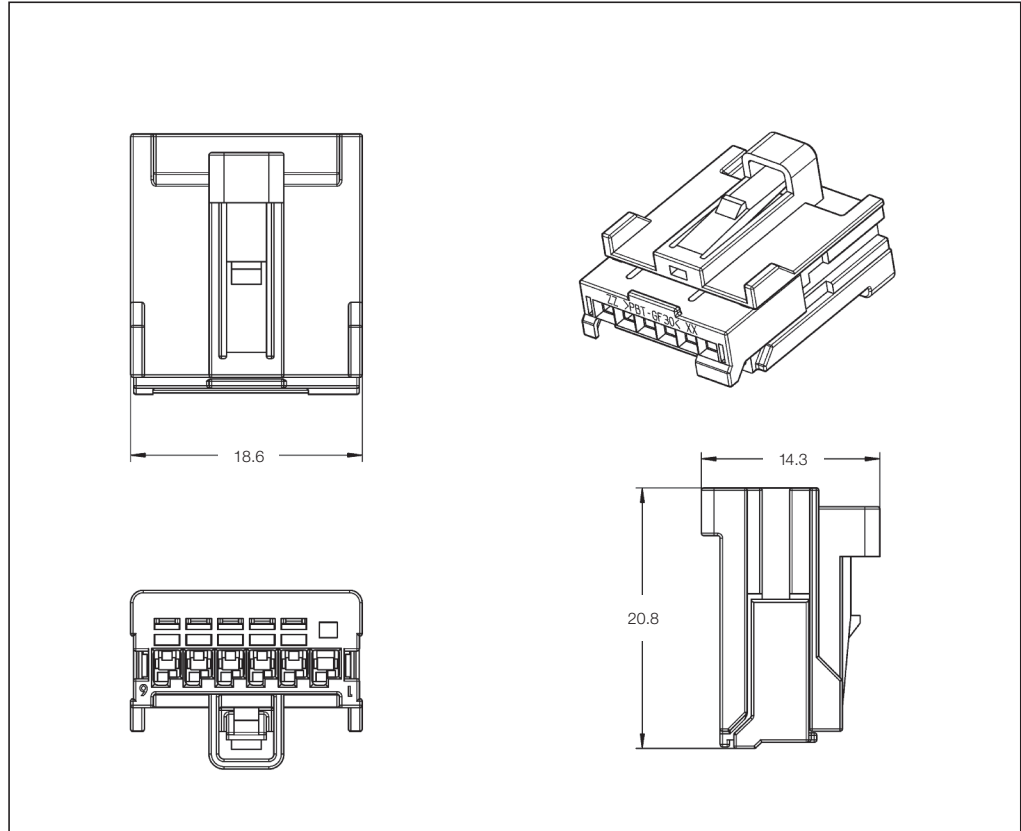
0.22–0.75 mm²

Product Specification:

114-13060

Application Specification:

408-8955



Unsealed Receptacle Housings 1-Row

| No. of Positions | Keying Options | Housing Color | Part Numbers | | | | | | |
|------------------|----------------|---------------|--------------------|-------|----------------|-----------------|--------------------|-------------------------------|----------------------------|
| | | | Receptacle Housing | Cover | Locking Device | Cover and Lever | Mating Pin Housing | Mating PCB Header Right-Angle | Mating PCB Header Vertical |
| 6 (1 x 6) | A | Yellow | 1355922-1 | - | - | - | - | - | - |
| | B | Black | 1355922-4 | - | - | - | - | - | - |

Unsealed Receptacle Housings 1-Row

Technical Features

No. of Positions:

6 (1 x 6) Position Hybrid
4 x GET.64 Terminal
2 x 6.3 mm Terminal

Housing Material:

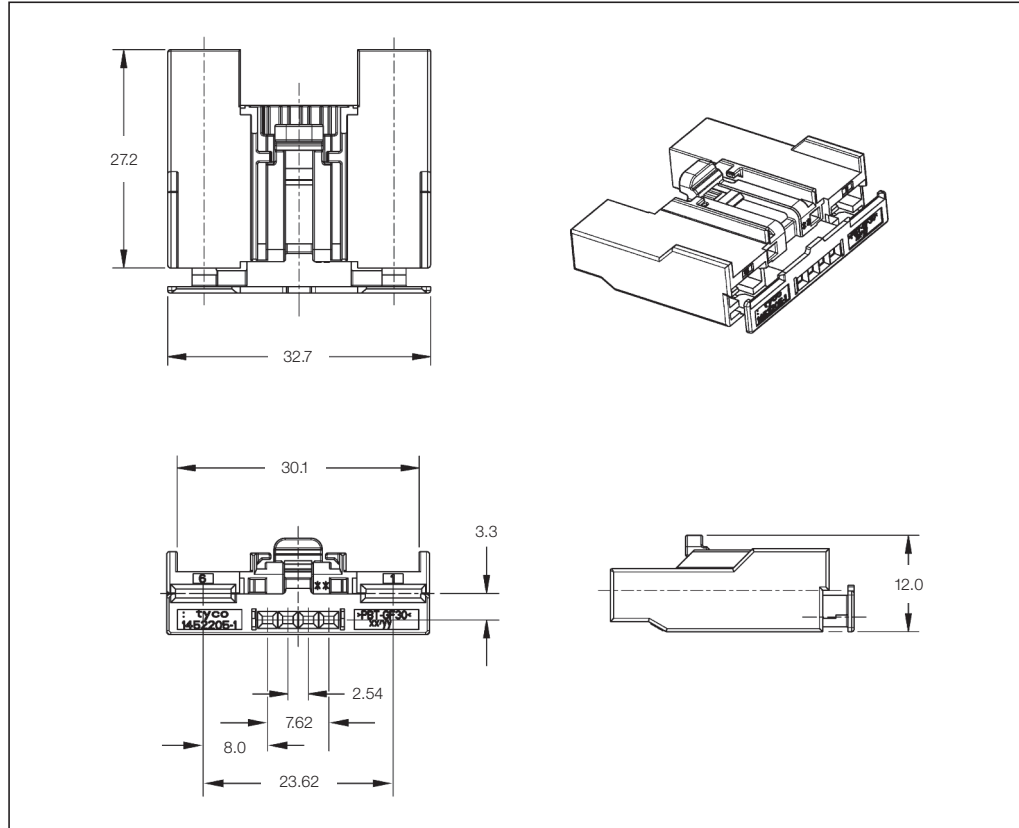
PBT GF30

Wire Size Range:

0.22–0.75 mm²

Product Specification:

Application Specification:



Unsealed Receptacle Housings 1-Row

| No. of Positions | Keying Options | Housing Color | Part Numbers | | | | | | | |
|------------------|----------------|---------------|--------------------|-------|----------------|-----------------|--------------------|-------------------------------|----------------------------|---|
| | | | Receptacle Housing | Cover | Locking Device | Cover and Lever | Mating Pin Housing | Mating PCB Header Right-Angle | Mating PCB Header Vertical | |
| 6 (1 x 6) | A | Black | 1452203-1 | - | - | - | - | - | - | - |

Unsealed Receptacle Housings 1-Row

Technical Features

No. of Positions:

10 (1 x 10) Position Assy
without CPA

Housing Material:

PA66 GF35

Wire Size Range:

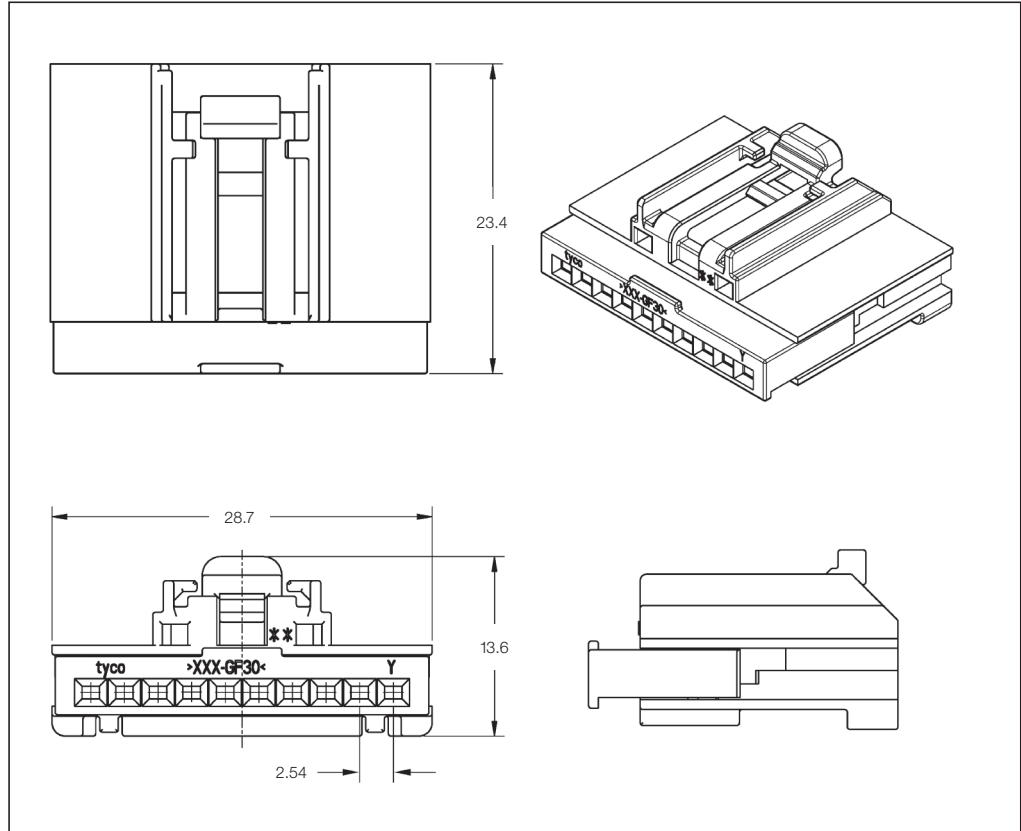
0.22–0.75 mm²

Product Specification:

114-13060

Application Specification:

408-8955



Unsealed Receptacle Housings 1-Row

| No. of Positions | Keying Options | Housing Color | Part Numbers | | | | | | |
|------------------|----------------|---------------|--------------------|-------|----------------|-----------------|--------------------|-------------------------------|----------------------------|
| | | | Receptacle Housing | Cover | Locking Device | Cover and Lever | Mating Pin Housing | Mating PCB Header Right-Angle | Mating PCB Header Vertical |
| 10 (1 x 10) | A | Black | 1452187-1 | | | | | | |
| | C | Black | 1452187-3 | - | - | - | - | - | - |
| | D | Black | 1452187-4 | | | | | | |

Unsealed Receptacle Housings 2-Rows

Technical Features

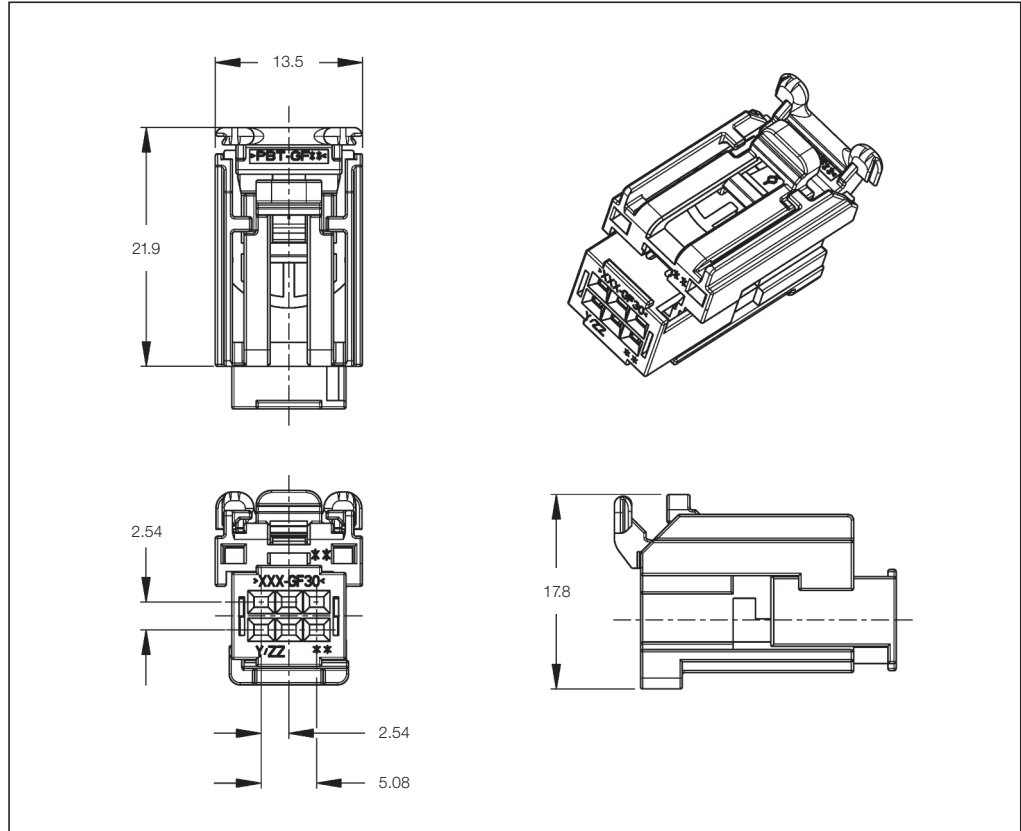
No. of Positions:
6 (2 x 3) Position Assy

Housing Material:
PA66 GF35

Wire Size Range:
0.22–0.75 mm²

Product Specification:
114-13060

Application Specification:
408-8955



Unsealed Receptacle Housings 2-Rows with CPA

| No. of Positions | Keying Options | Housing Color | Part Numbers | | | | | | |
|------------------|----------------|---------------|--------------------|-------|----------------|-----------------|--------------------|-------------------------------|----------------------------|
| | | | Receptacle Housing | Cover | Locking Device | Cover and Lever | Mating Pin Housing | Mating PCB Header Right-Angle | Mating PCB Header Vertical |
| 6 (2 x 3) | A | Black | 1419158-5 | | | | | | |
| | B | Black | 1418158-6 | - | - | - | - | - | - |
| | C | Black | 1411325-3 | | | | | | |
| | D | Black | 1411325-4 | | | | | | |

Unsealed Receptacle Housings 2-Rows without CPA

| No. of Positions | Keying Options | Housing Color | Part Numbers | | | | | | |
|------------------|----------------|---------------|--------------------|-------|----------------|-----------------|--------------------|-------------------------------|----------------------------|
| | | | Receptacle Housing | Cover | Locking Device | Cover and Lever | Mating Pin Housing | Mating PCB Header Right-Angle | Mating PCB Header Vertical |
| 6 (2 x 3) | A | Black | 9-1411325-1 | | | | | | |
| | | Green | 1-1411325-1 | | | | | | |
| | B | Black | 9-1411325-2 | | | | | | |
| | | Gray | 1-1411325-2 | | | | | | |
| | C | Black | 9-1411325-3 | - | - | - | - | - | - |
| | | Brown | 1-1411325-3 | | | | | | |
| | D | Black | 9-1411325-4 | | | | | | |
| | | Blue | 1-1411325-4 | | | | | | |
| | E | Black | 9-1411325-5 | | | | | | |

Unsealed Receptacle Housings 2-Rows

Technical Features

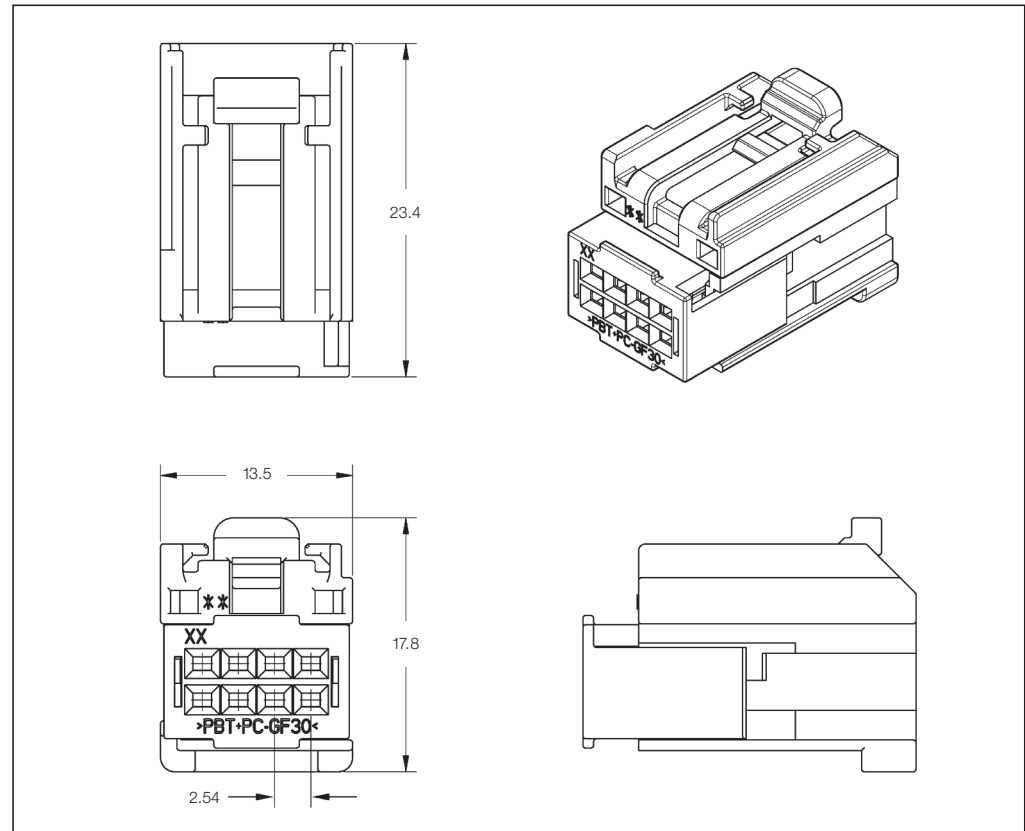
No. of Positions:
8 (2 x 4) Position Assy

Housing Material:
PA66 GF35

Wire Size Range:
0.22–0.75 mm²

Product Specification:
114-13060

Application Specifications:
408-8955
408-8600



Unsealed Receptacle Housings 2-Rows with CPA

| No. of Positions | Keying Options | Housing Color | Part Numbers | | | | | | |
|------------------|----------------|---------------|--------------------|-------|----------------|-----------------|--------------------|-------------------------------|----------------------------|
| | | | Receptacle Housing | Cover | Locking Device | Cover and Lever | Mating Pin Housing | Mating PCB Header Right-Angle | Mating PCB Header Vertical |
| 8 (2 x 4) | A | Black | 3-1419170-4 | – | – | – | 1411169-1 | – | – |
| | C | Black | 1-1419158-3 | – | – | – | 1411169-3 | – | – |
| | D | Black | 2-1419170-9 | – | – | – | 1411169-4 | – | – |
| | E | Black | 3-1419170-0 | – | – | – | – | – | – |

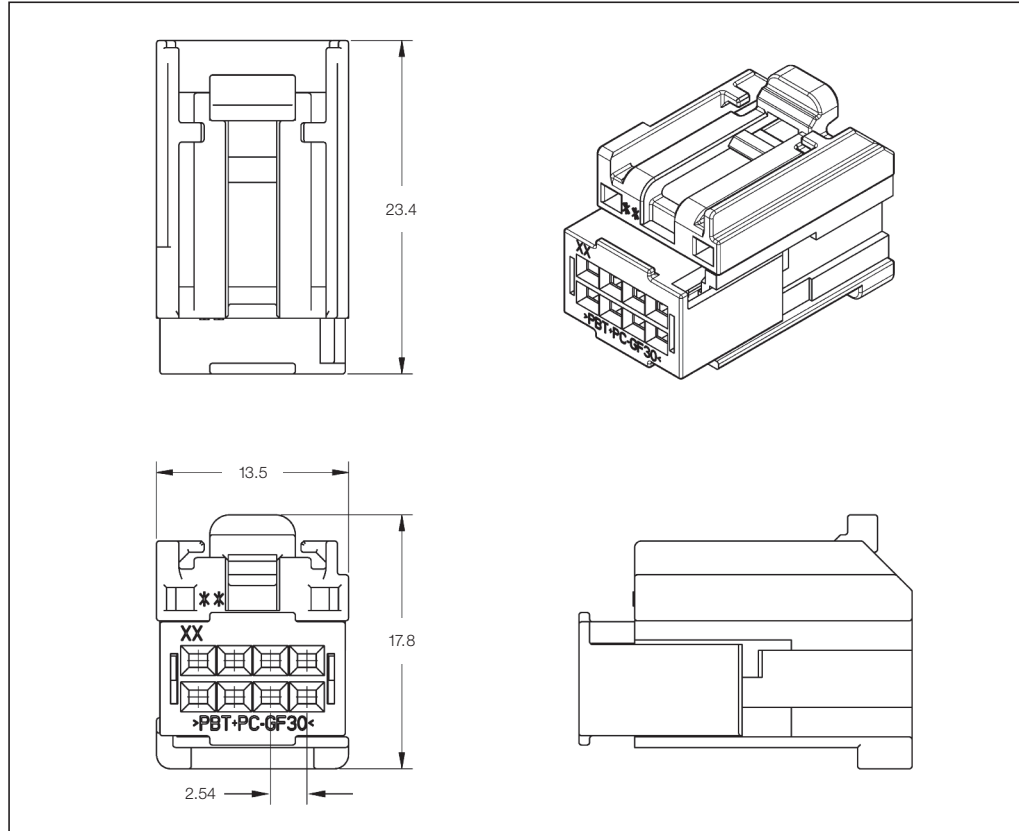
Unsealed Receptacle Housings 2-Rows without CPA

| No. of Positions | Keying Options | Housing Color | Part Numbers | | | | | | |
|------------------|----------------|---------------|--------------------|-------|----------------|-----------------|--------------------|-------------------------------|----------------------------|
| | | | Receptacle Housing | Cover | Locking Device | Cover and Lever | Mating Pin Housing | Mating PCB Header Right-Angle | Mating PCB Header Vertical |
| 8 (2 x 4) | A | Black | 1-1419158-2 | – | – | – | 1411169-1 | – | – |
| | | Black | 1411168-1 | – | – | – | – | – | – |
| | C | Black | 1418158-8 | – | – | – | 1411169-3 | – | – |
| | | Black | 1411168-3 | – | – | – | – | – | – |
| | D | Black | 1-1419158-0 | – | – | – | 1411169-4 | – | – |
| | E | Black | 1-1419158-1 | – | – | – | – | – | – |

Unsealed Low Profile Latch 2-Rows

Technical Features

- No. of Positions:**
8 (2 x 4) Position Assy
- Housing Material:**
PA66 GF35
- Wire Size Range:**
0.22–0.75 mm²
- Product Specification:**
114-13060
- Application Specifications:**
408-8955
408-8600



Unsealed Low Profile Latch 2-Rows with CPA

| No. of Positions | Keying Options | Housing Color | Part Numbers | | | | | | |
|------------------|----------------|---------------|--------------------|-------|----------------|-----------------|--------------------|-------------------------------|----------------------------|
| | | | Receptacle Housing | Cover | Locking Device | Cover and Lever | Mating Pin Housing | Mating PCB Header Right-Angle | Mating PCB Header Vertical |
| 8 (2 x 4) | A | Black | 1456987-2 | – | – | – | 1411169-1 | – | – |
| | B | Black | 1456987-4 | – | – | – | – | – | – |
| | C | Black | 1456987-6 | – | – | – | 1411169-3 | – | – |
| | D | Black | 1456987-8 | – | – | – | 1411169-4 | – | – |

Unsealed Low Profile Latch 2-Rows without CPA

| No. of Positions | Keying Options | Housing Color | Part Numbers | | | | | | |
|------------------|----------------|---------------|--------------------|-------|----------------|-----------------|--------------------|-------------------------------|----------------------------|
| | | | Receptacle Housing | Cover | Locking Device | Cover and Lever | Mating Pin Housing | Mating PCB Header Right-Angle | Mating PCB Header Vertical |
| 8 (2 x 4) | A | Black | 1456987-1 | – | – | – | 1411169-1 | – | – |
| | B | Black | 1456987-3 | – | – | – | – | – | – |
| | C | Black | 1456987-5 | – | – | – | 1411169-3 | – | – |
| | D | Black | 1456987-7 | – | – | – | 1411169-4 | – | – |

Unsealed Receptacle Housings 2-Rows

Technical Features

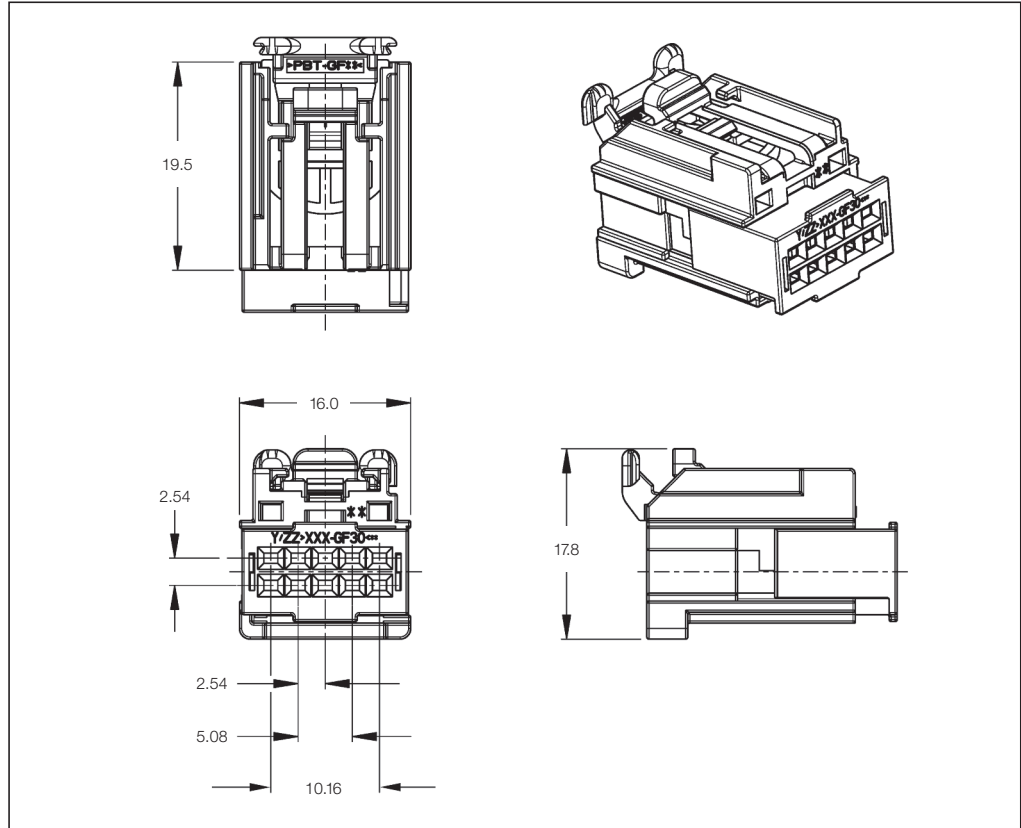
No. of Positions:
10 (2 x 5) Position Assy

Housing Material:
PA66 GF35

Wire Size Range:
0.22–0.75 mm²

Product Specification:
114-13060

Application Specifications:
408-8955
408-8600



Unsealed Receptacle Housings 2-Rows with CPA

| No. of Positions | Keying Options | Housing Color | Part Numbers | | | | | | |
|------------------|----------------|---------------|--------------------|-------|----------------|-----------------|--------------------|-------------------------------|----------------------------|
| | | | Receptacle Housing | Cover | Locking Device | Cover and Lever | Mating Pin Housing | Mating PCB Header Right-Angle | Mating PCB Header Vertical |
| 10 (2 x 5) | A | Black | 5-1419170-8 | – | – | – | 9-1419157-6 | – | – |

Unsealed Receptacle Housings 2-Rows without CPA

| No. of Positions | Keying Options | Housing Color | Part Numbers | | | | | | |
|------------------|----------------|---------------|--------------------|-------|----------------|-----------------|--------------------|-------------------------------|----------------------------|
| | | | Receptacle Housing | Cover | Locking Device | Cover and Lever | Mating Pin Housing | Mating PCB Header Right-Angle | Mating PCB Header Vertical |
| 10 (2 x 5) | A | Black | 1-1419158-4 | – | – | – | 9-1419157-6 | – | – |

Unsealed Receptacle Housings 2-Rows

Technical Features

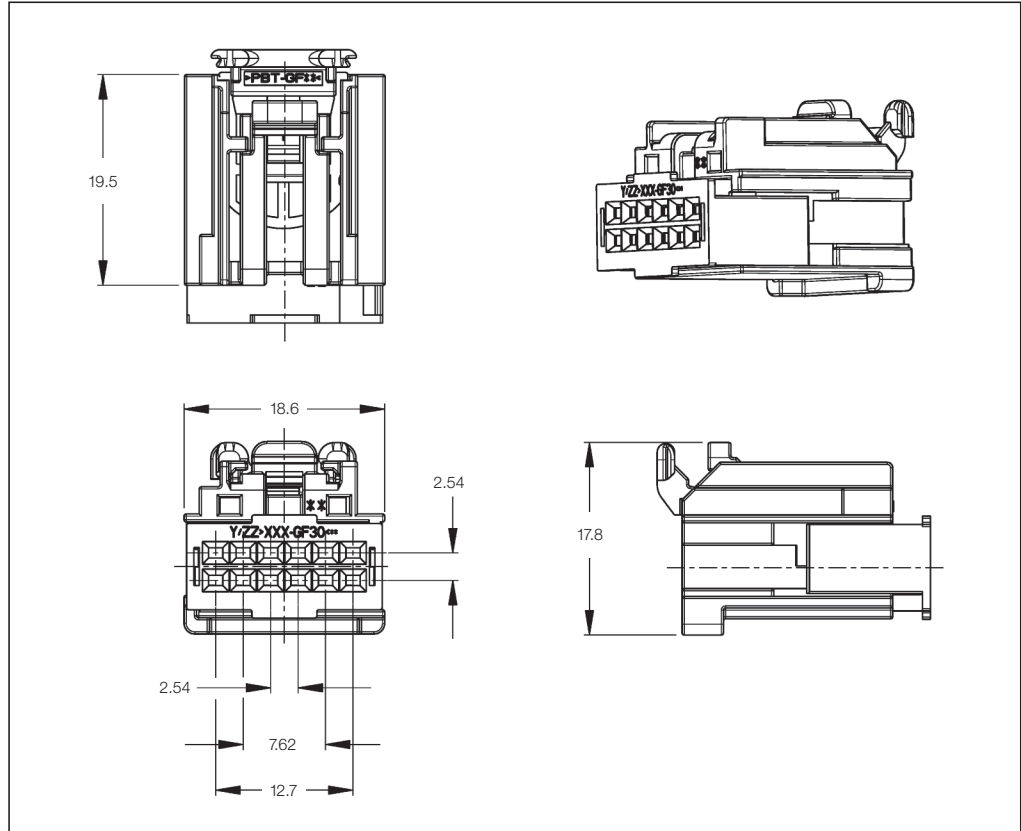
No. of Positions:
12 (2 x 6) Position Assy

Housing Material:
PA66 GF35

Wire Size Range:
0.22–0.75 mm²

Product Specification:
114-13060

Application Specification:
408-8955



Unsealed Receptacle Housings 2-Rows with CPA

| No. of Positions | Keying Options | Housing Color | Part Numbers | | | | | | |
|------------------|----------------|---------------|--------------------|-------|----------------|-----------------|--------------------|-------------------------------|----------------------------|
| | | | Receptacle Housing | Cover | Locking Device | Cover and Lever | Mating Pin Housing | Mating PCB Header Right-Angle | Mating PCB Header Vertical |
| 12 (2 x 6) | B | Black | 1-1452015-2 | – | – | – | – | 1438107-1 | – |
| | H | Black | 1-1452015-8 | – | – | – | – | – | – |

Unsealed Receptacle Housings 2-Rows without CPA

| No. of Positions | Keying Options | Housing Color | Part Numbers | | | | | | |
|------------------|----------------|---------------|--------------------|-------|----------------|-----------------|--------------------|-------------------------------|----------------------------|
| | | | Receptacle Housing | Cover | Locking Device | Cover and Lever | Mating Pin Housing | Mating PCB Header Right-Angle | Mating PCB Header Vertical |
| 12 (2 x 6) | B | Black | 1452015-2 | – | – | – | – | 1438107-1 | – |
| | H | Black | 1452015-8 | – | – | – | – | – | – |

Unsealed Receptacle Housings 2-Rows

Technical Features

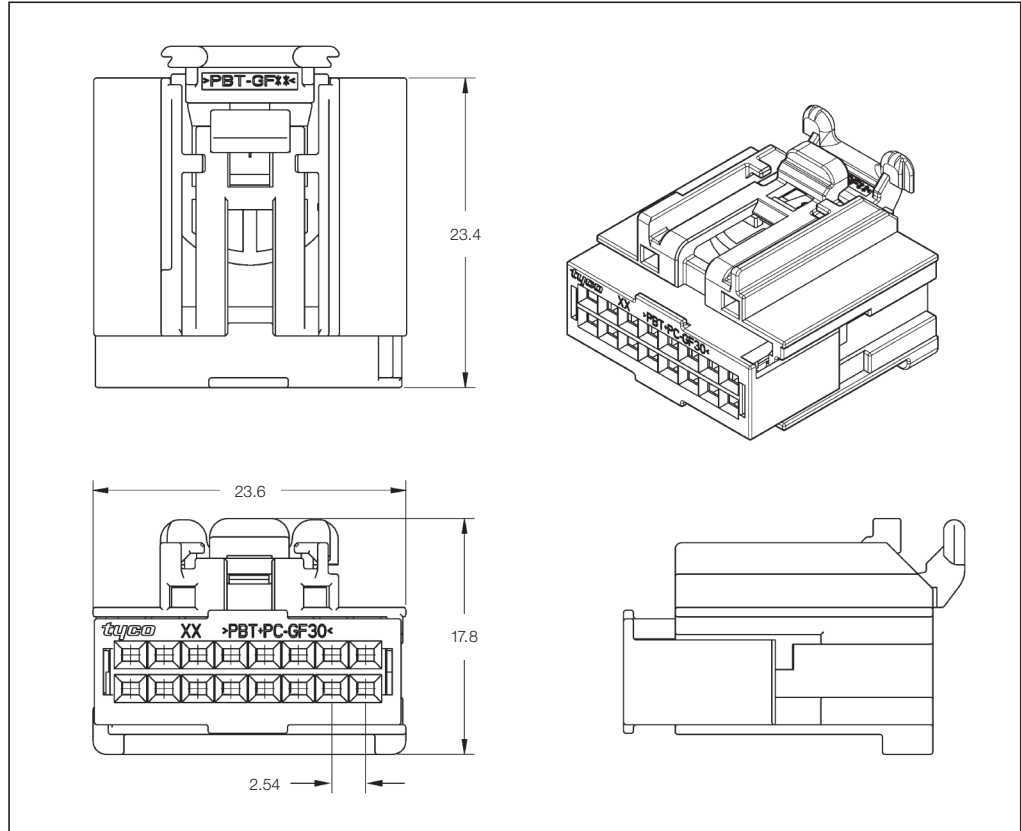
No. of Positions:
16 (2 x 8) Position Assy

Housing Material:
sPS + PA66 GF30

Wire Size Range:
0.22–0.75 mm²

Product Specification:
114-13060

Application Specifications:
408-8955
408-8600



Unsealed Receptacle Housings 2-Rows with CPA

| No. of Positions | Keying Options | Housing Color | Part Numbers | | | | | | |
|------------------|----------------|---------------|--------------------|-------|----------------|-----------------|--------------------|-------------------------------|----------------------------|
| | | | Receptacle Housing | Cover | Locking Device | Cover and Lever | Mating Pin Housing | Mating PCB Header Right-Angle | Mating PCB Header Vertical |
| 16 (2 x 8) | A | Black | 1419171-9 | – | – | – | 6-1419167-1 | 1438107-1 | – |
| | C | Black | 1419171-3 | – | – | – | 5-1419167-5 | – | – |
| | D | Black | 1419171-4 | – | – | – | 5-1419167-6 | – | – |
| | E | Black | 1419171-5 | – | – | – | 5-1419167-7 | – | – |
| | F | Black | 1419171-6 | – | – | – | 5-1419167-8 | – | – |

Unsealed Receptacle Housings 2-Rows without CPA

| No. of Positions | Keying Options | Housing Color | Part Numbers | | | | | | |
|------------------|----------------|---------------|--------------------|-------|----------------|-----------------|--------------------|-------------------------------|----------------------------|
| | | | Receptacle Housing | Cover | Locking Device | Cover and Lever | Mating Pin Housing | Mating PCB Header Right-Angle | Mating PCB Header Vertical |
| 16 (2 x 8) | A | Black | 9-1419170-1 | – | – | – | 6-1419167-1 | 1438107-1 | – |
| | | Gray | 1411369-1 | – | – | – | 1411367-1 | – | – |
| | C | Black | 8-1419170-5 | – | – | – | 5-1419167-5 | – | – |
| | D | Black | 8-1419170-6 | – | – | – | 5-1419167-6 | – | – |
| | E | Black | 8-1419170-7 | – | – | – | 5-1419167-7 | – | – |
| | F | Black | 8-1419170-8 | – | – | – | 5-1419167-8 | – | – |

Unsealed Low Profile Latch 2-Rows

Technical Features

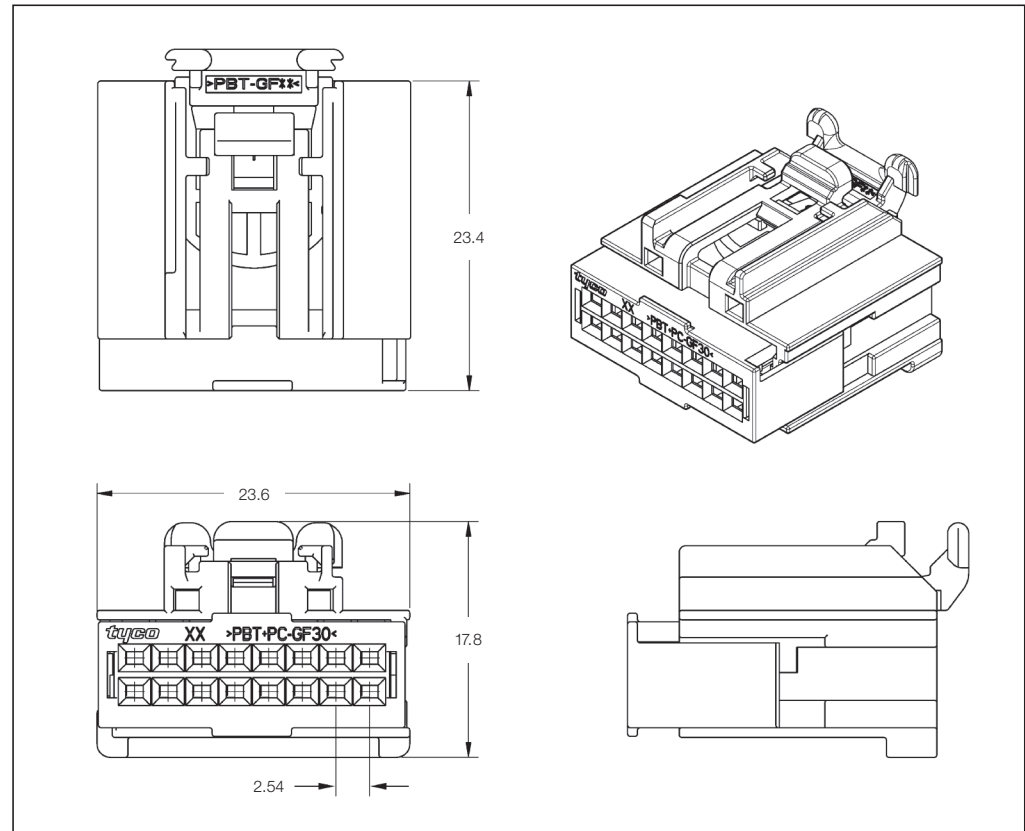
No. of Positions:
16 (2 x 8) Position Assy

Housing Material:
sPS + PA66 GF30

Wire Size Range:
0.22–0.75 mm²

Product Specification:
114-13060

Application Specifications:
408-8955
408-8600



Unsealed Low Profile Latch 2-Rows

| No. of Positions | Keying Options | Housing Color | Part Numbers | | | | | | |
|------------------|----------------|---------------|--------------------|-------|----------------|-----------------|--------------------|-------------------------------|----------------------------|
| | | | Receptacle Housing | Cover | Locking Device | Cover and Lever | Mating Pin Housing | Mating PCB Header Right-Angle | Mating PCB Header Vertical |
| 16 (2 x 8) | A | Black | 1458573-1 | – | – | – | 1438170-1 | 1438107-1 | – |

Unsealed Low Profile Latch 2-Rows with CPA

| No. of Positions | Keying Options | Housing Color | Part Numbers | | | | | | |
|------------------|----------------|---------------|--------------------|-------|----------------|-----------------|--------------------|-------------------------------|----------------------------|
| | | | Receptacle Housing | Cover | Locking Device | Cover and Lever | Mating Pin Housing | Mating PCB Header Right-Angle | Mating PCB Header Vertical |
| 16 (2 x 8) | A | Black | 1456989-2 | – | – | – | 1438170-1 | 1438107-1 | – |

Unsealed Low Profile Latch 2-Rows without CPA

| No. of Positions | Keying Options | Housing Color | Part Numbers | | | | | | |
|------------------|----------------|---------------|--------------------|-------|----------------|-----------------|--------------------|-------------------------------|----------------------------|
| | | | Receptacle Housing | Cover | Locking Device | Cover and Lever | Mating Pin Housing | Mating PCB Header Right-Angle | Mating PCB Header Vertical |
| 16 (2 x 8) | A | Black | 1456989-1 | – | – | – | 6-1419167-1 | – | – |
| | | Gray | 1456985-3 | – | – | – | 1411367-1 | – | – |
| | C | Black | 1456985-4 | – | – | – | 5-1419167-5 | – | – |
| | D | Black | 1456985-5 | – | – | – | 5-1419167-6 | – | – |
| | E | Black | 1456985-6 | – | – | – | 5-1419167-7 | – | – |
| | F | Black | 1456989-7 | – | – | – | 5-1419167-8 | – | – |

Unsealed Receptacle Housings 2-Rows

Technical Features

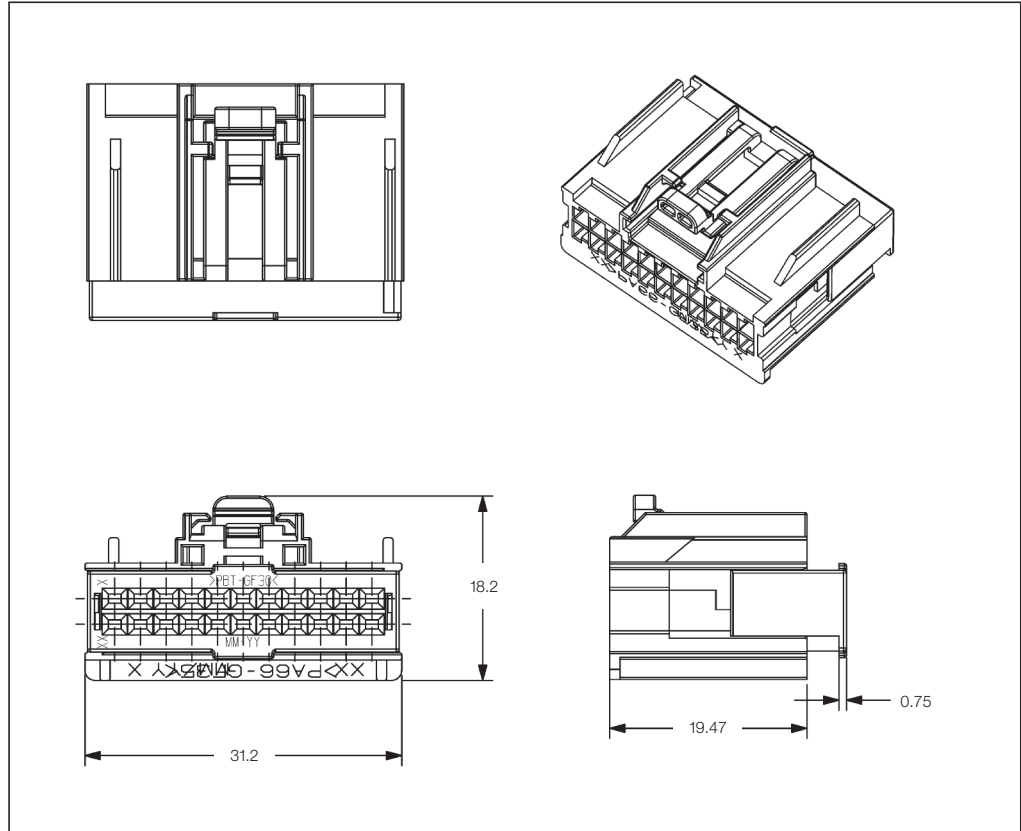
No. of Positions:
22 (2 x 11) Position Assy

Housing Material:
PA66 GF30

Wire Size Range:
0.22–0.75 mm²

Product Specification:
114-13060

Application Specifications:
408-8955
408-8600



Unsealed Receptacle Housings 2-Rows with CPA

| No. of Positions | Keying Options | Housing Color | Part Numbers | | | | | | |
|------------------|----------------|---------------|--------------------|-------|----------------|-----------------|--------------------|-------------------------------|----------------------------|
| | | | Receptacle Housing | Cover | Locking Device | Cover and Lever | Mating Pin Housing | Mating PCB Header Right-Angle | Mating PCB Header Vertical |
| 22 (2 x 11) | A | Black | 1-1419158-7 | – | – | – | 2-1419158-8 | – | – |
| | B | Black | 3-1419158-0 | – | – | – | 2-1419158-7 | – | – |
| | C | Black | 2-1419158-9 | – | – | – | 2-1419158-6 | – | – |

Unsealed Receptacle Housings 2-Rows without CPA

| No. of Positions | Keying Options | Housing Color | Part Numbers | | | | | | |
|------------------|----------------|---------------|--------------------|-------|----------------|-----------------|--------------------|-------------------------------|----------------------------|
| | | | Receptacle Housing | Cover | Locking Device | Cover and Lever | Mating Pin Housing | Mating PCB Header Right-Angle | Mating PCB Header Vertical |
| 22 (2 x 11) | A | Black | 1420011-1 | – | – | – | 2-1419158-8 | – | – |
| | B | Black | 1420011-2 | – | – | – | 2-1419158-7 | – | – |
| | C | Black | 1420011-3 | – | – | – | 2-1419158-6 | – | – |

Unsealed Receptacle Housings 2-Rows

Technical Features

No. of Positions:

22 Position Hybrid
18 x GET.64 Terminal
4 x 2.8 mm Terminal

Housing Material:

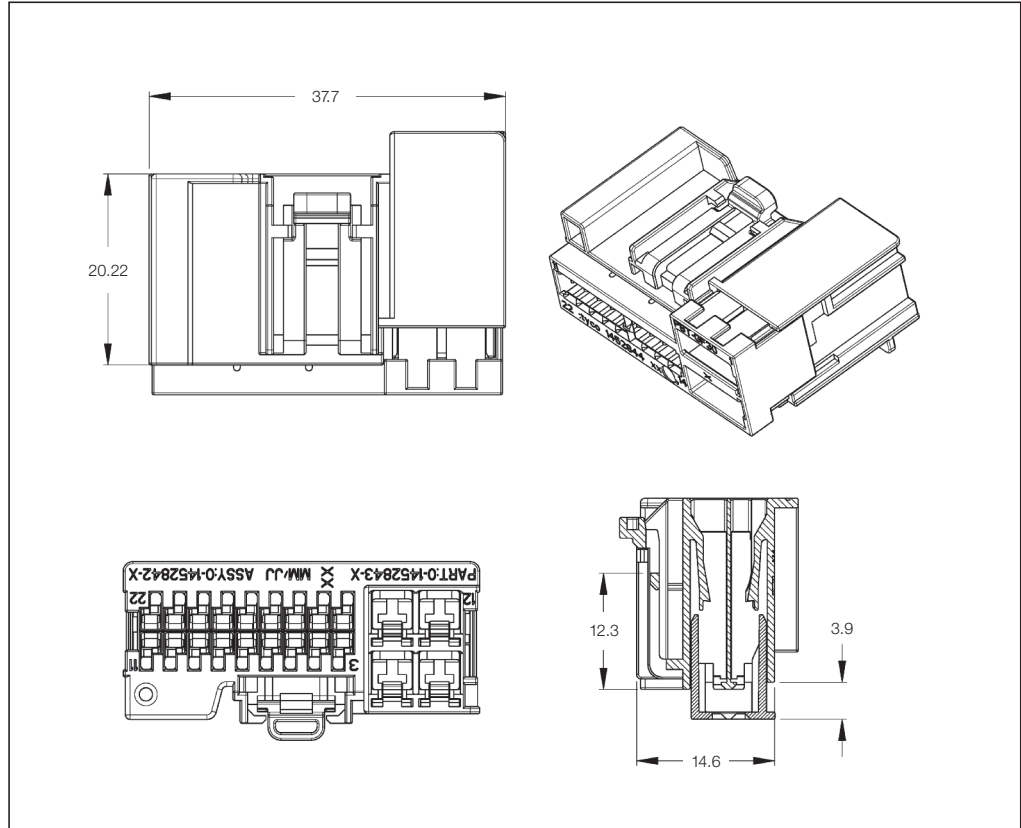
PA66 GF30

Wire Size Range:

0.22–0.75 mm²

Product Specification:

Application Specification:



Unsealed Receptacle Housings 2-Rows

| No. of Positions | Keying Options | Housing Color | Part Numbers | | | | | | |
|------------------|----------------|---------------|--------------------|-------|----------------|-----------------|--------------------|-------------------------------|----------------------------|
| | | | Receptacle Housing | Cover | Locking Device | Cover and Lever | Mating Pin Housing | Mating PCB Header Right-Angle | Mating PCB Header Vertical |
| 22 | A | Black | 1452842-1 | - | - | - | - | - | - |
| | | Gray | 1-1452842-1 | | | | | | |

Unsealed Receptacle Housings 2-Rows

Technical Features

No. of Positions:

23 Position Assy
with Lever Assistance
16 x GET.64 Terminal
7 x 2.8 mm Terminal

Housing Material:

PA66 GF35

Wire Size Range:

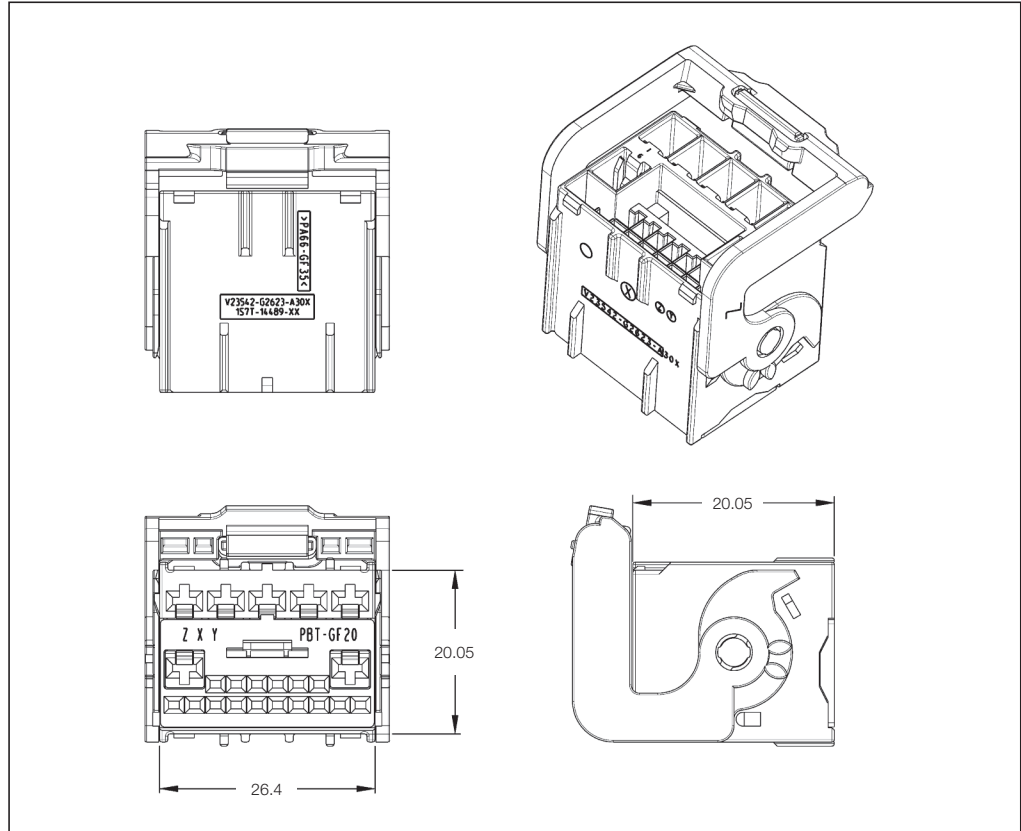
0.22–0.75 mm²

Product Specification:

114-13060

Application Specification:

408-8955



Unsealed Receptacle Housings 2-Rows

| No. of Positions | Keying Options | Housing Color | Part Numbers | | | | | | |
|------------------|----------------|---------------|--------------------|-------|----------------|-----------------|--------------------|-------------------------------|----------------------------|
| | | | Receptacle Housing | Cover | Locking Device | Cover and Lever | Mating Pin Housing | Mating PCB Header Right-Angle | Mating PCB Header Vertical |
| 23 | A | Black | 2-1419158-1 | | | | | | |
| | B | Green | 2-1419158-0 | | | | | | |
| | C | Gray | 1-1419158-9 | - | - | - | - | 6-1419138-9 | - |
| | D | Brown | 1-1419158-8 | | | | | | |
| | E | Blue | 2-1419158-2 | | | | | | |

Unsealed Receptacle Housings 2-Rows

Technical Features

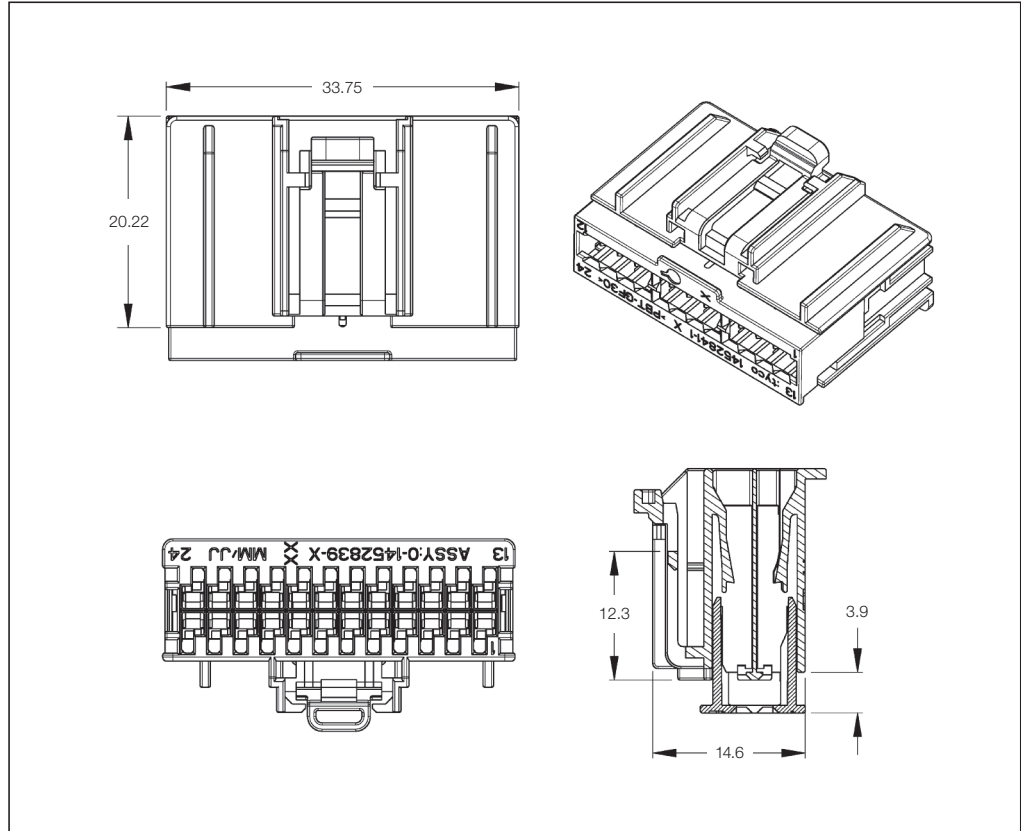
No. of Positions:
24 (2 x 12) Position Assy

Housing Material:
PA66 GF35

Wire Size Range:
0.22–0.75 mm²

Product Specification:
—

Application Specification:
—



Unsealed Receptacle Housings 2-Rows

| No. of Positions | Keying Options | Housing Color | Part Numbers | | | | | | |
|------------------|----------------|---------------|--------------------|-------|----------------|-----------------|--------------------|-------------------------------|----------------------------|
| | | | Receptacle Housing | Cover | Locking Device | Cover and Lever | Mating Pin Housing | Mating PCB Header Right-Angle | Mating PCB Header Vertical |
| 24 (2 x 12) | A | Black | 1452839-1 | — | — | — | — | — | — |
| | | Gray | 1-1452839-1 | — | — | — | — | — | — |

Unsealed Pin Housings 1-Row

Technical Features

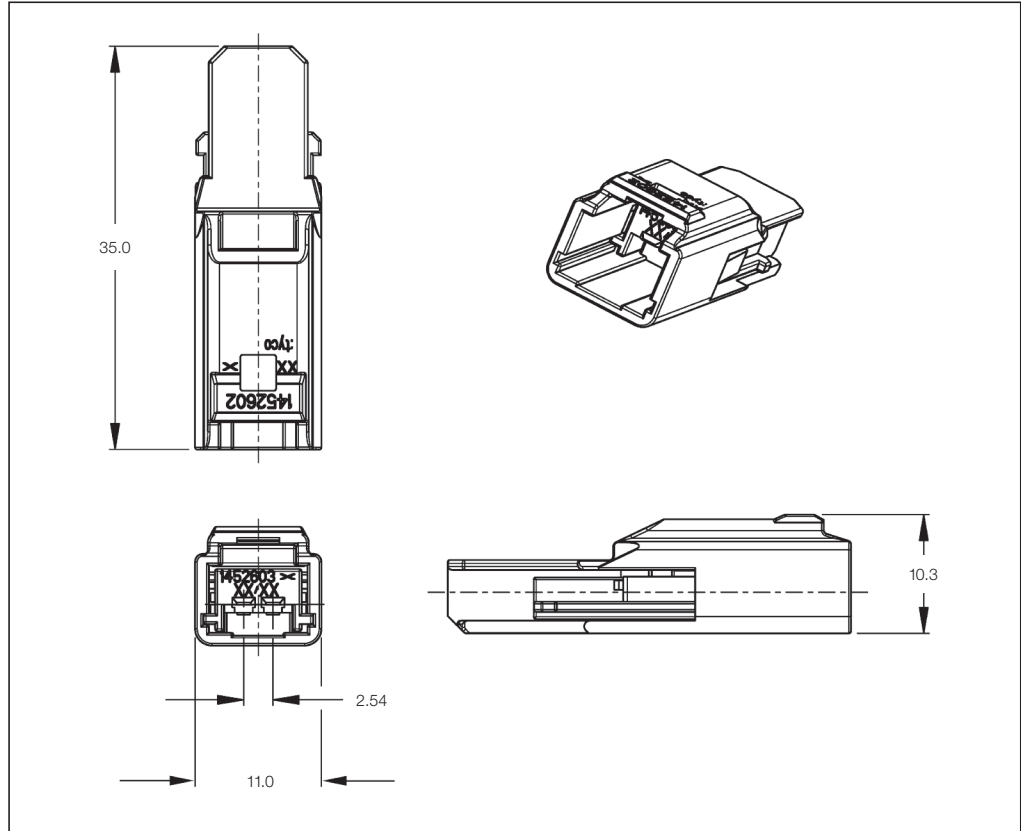
No. of Positions:
2 (1 x 2) Positions

Housing Material:
PA66 GF35

Wire Size Range:
0.22–0.75 mm²

Product Specification:
114-13060

Application Specifications:
408-8955
408-8600



Unsealed Pin Housings 1-Row

| No. of Positions | Keying Options | Housing Color | Part Numbers | | | | |
|------------------|----------------|---------------|--------------|-------|----------------|-----------------|---------------------------|
| | | | Pin Housing | Cover | Locking Device | Cover and Lever | Mating Receptacle Housing |
| 2 (1 x 2) | A | Black | 1452601-1 | – | – | – | 1452598-1 |

Unsealed Pin Housings 1-Row

Technical Features

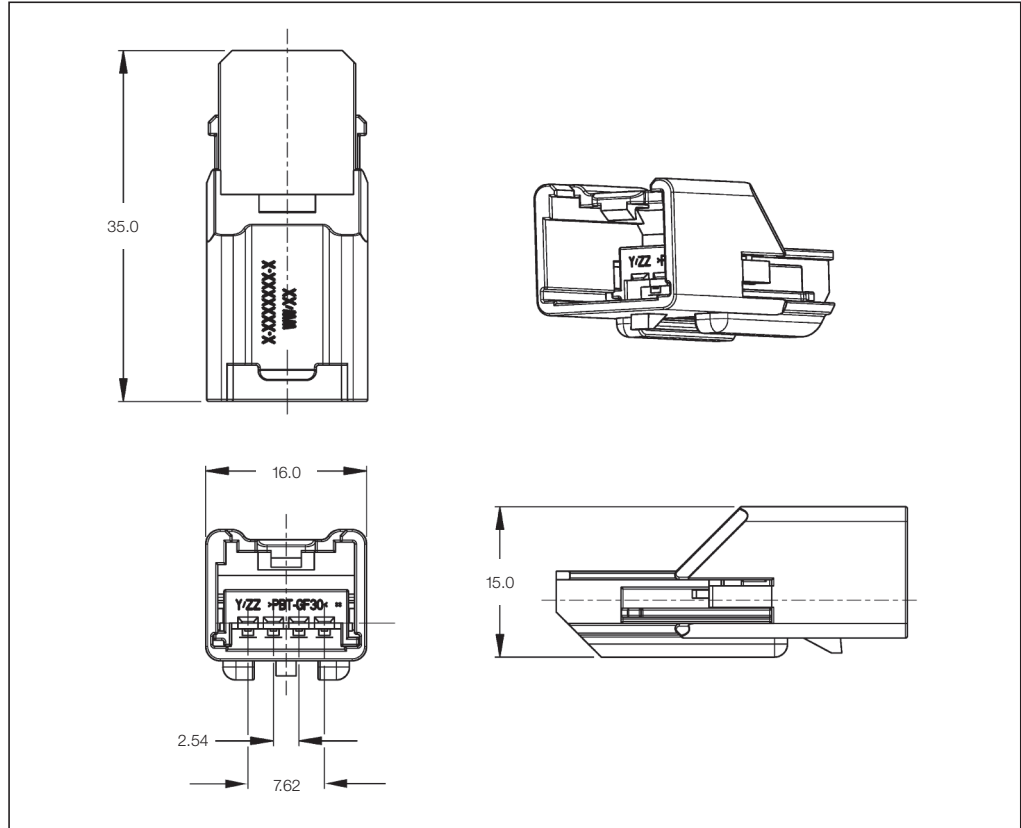
No. of Positions:
4 (1 x 4) Positions

Housing Material:
PA66 GF35

Wire Size Range:
0.22–0.75 mm²

Product Specification:
114-13060

Application Specifications:
408-8955
408-8600



Unsealed Pin Housings 1-Row

| No. of Positions | Keying Options | Housing Color | Part Numbers | | | | |
|------------------|----------------|---------------|--------------|-------|----------------|-----------------|---------------------------|
| | | | Pin Housing | Cover | Locking Device | Cover and Lever | Mating Receptacle Housing |
| 4 (1 x 4) | A | Black | 6-1419166-1 | - | - | - | 6-1419169-8 |
| | | | | | | | 3-1419158-2 |
| | | | | | | | 1438122-1 |
| | B | Black | 6-1419166-2 | - | - | - | 6-1419169-9 |
| | | | | | | | 5-1419169-2 |
| | | | | | | | 6-1419169-3 |
| D | Black | 5-1419166-6 | - | - | - | 4-1419169-7 | |

Unsealed Pin Housings 1-Row

Technical Features

No. of Positions:

6 (1 x 6) Positions
with 3 (2) Shorting Bars

Housing Material:

PA66 GF35

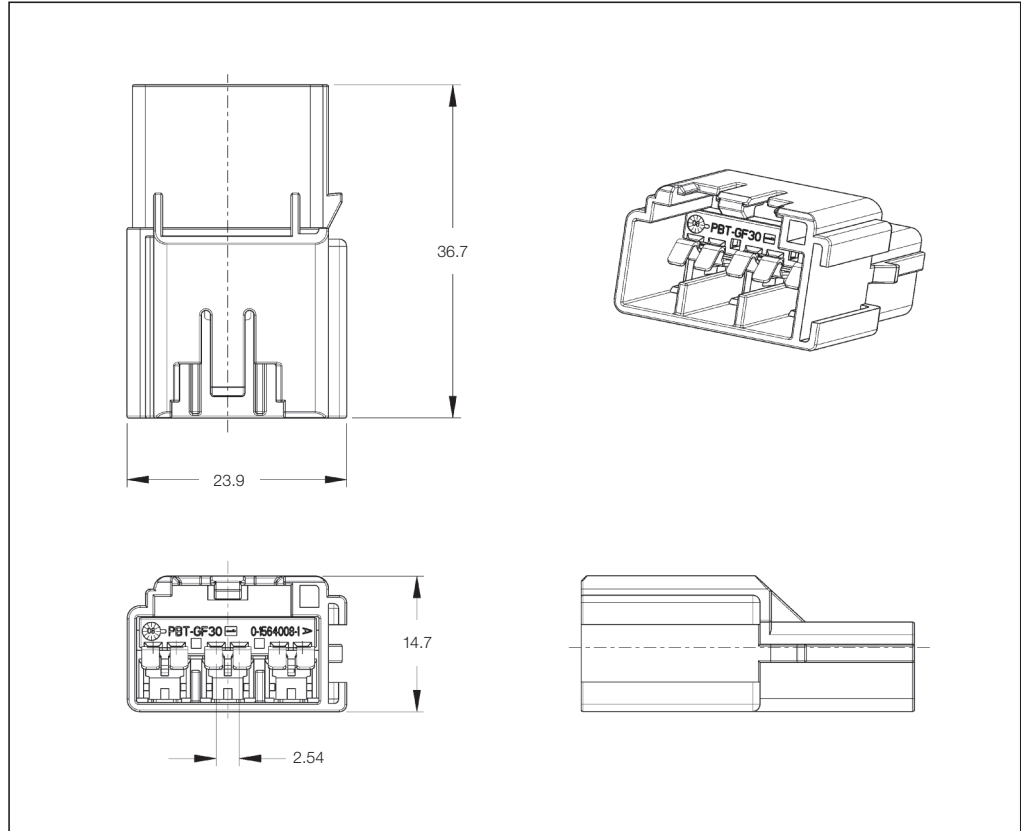
Wire Size Range:

0.22–0.75 mm²

Product Specification:

114-13060

Application Specification:



Unsealed Pin Housings 1-Row

| No. of Positions | Keying Options | Housing Color | Part Numbers | | | | |
|------------------|----------------|---------------|--------------|-------|----------------|-----------------|---------------------------|
| | | | Pin Housing | Cover | Locking Device | Cover and Lever | Mating Receptacle Housing |
| 6 (1 x 6) | X | Yellow | 1564004-1 | – | – | – | 1564003-1 |
| | | Orange | 1564004-2 | | | | |

Unsealed Pin Housings 1-Row

Technical Features

No. of Positions:

8 (1 x 8) Positions

Housing Material:

PA66 GF35

Wire Size Range:

0.22–0.75 mm²

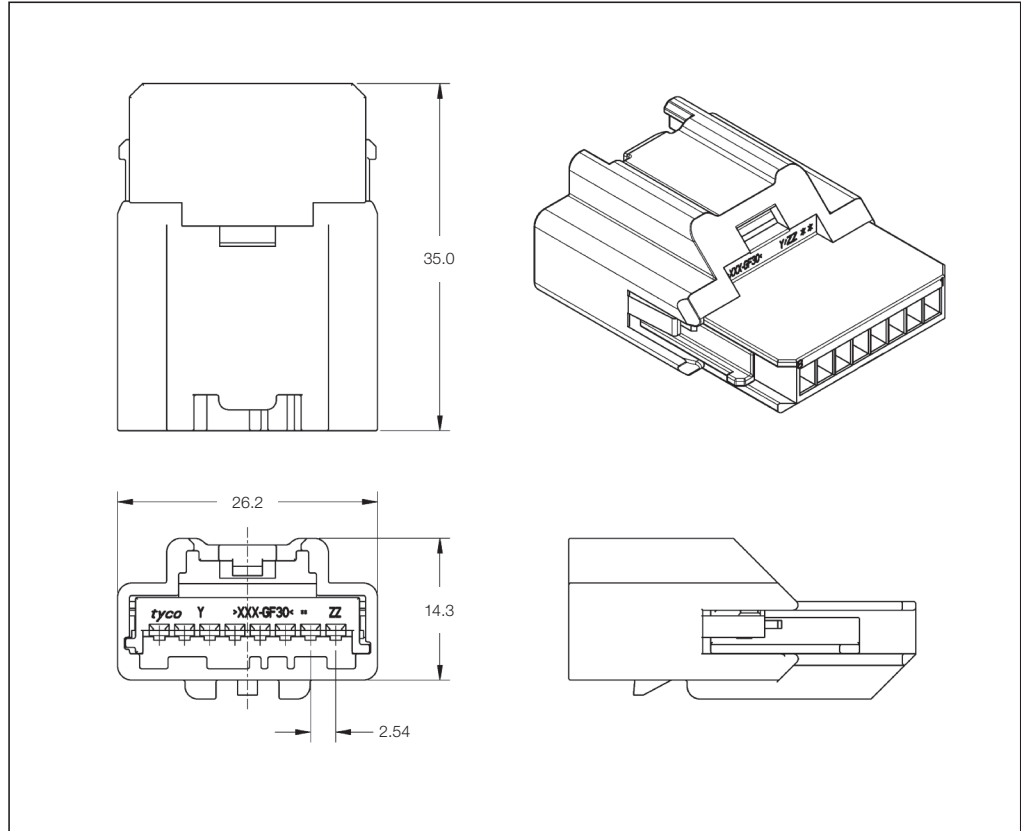
Product Specification:

114-13060

Application Specifications:

408-8955

408-8600



Unsealed Pin Housings 1-Row

| No. of Positions | Keying Options | Housing Color | Part Numbers | | | | |
|------------------|----------------|---------------|--------------|-------|----------------|-----------------|---------------------------|
| | | | Pin Housing | Cover | Locking Device | Cover and Lever | Mating Receptacle Housing |
| 8 (1 x 8) | C | Black | 9-1419166-0 | - | - | - | 2-1419170-1 |
| | | | | | | | 9-1419169-1 |
| | | | | | | | 1488903-1 |
| | D | Black | 9-1419166-1 | - | - | - | 2-1419170-2 |
| 9-1419169-2 | | | | | | | |

Unsealed Pin Housings 2-Rows

Technical Features

No. of Positions:

8 (2 x 4) Positions

Housing Material:

PA66 GF35

Wire Size Range:

0.22–0.75 mm²

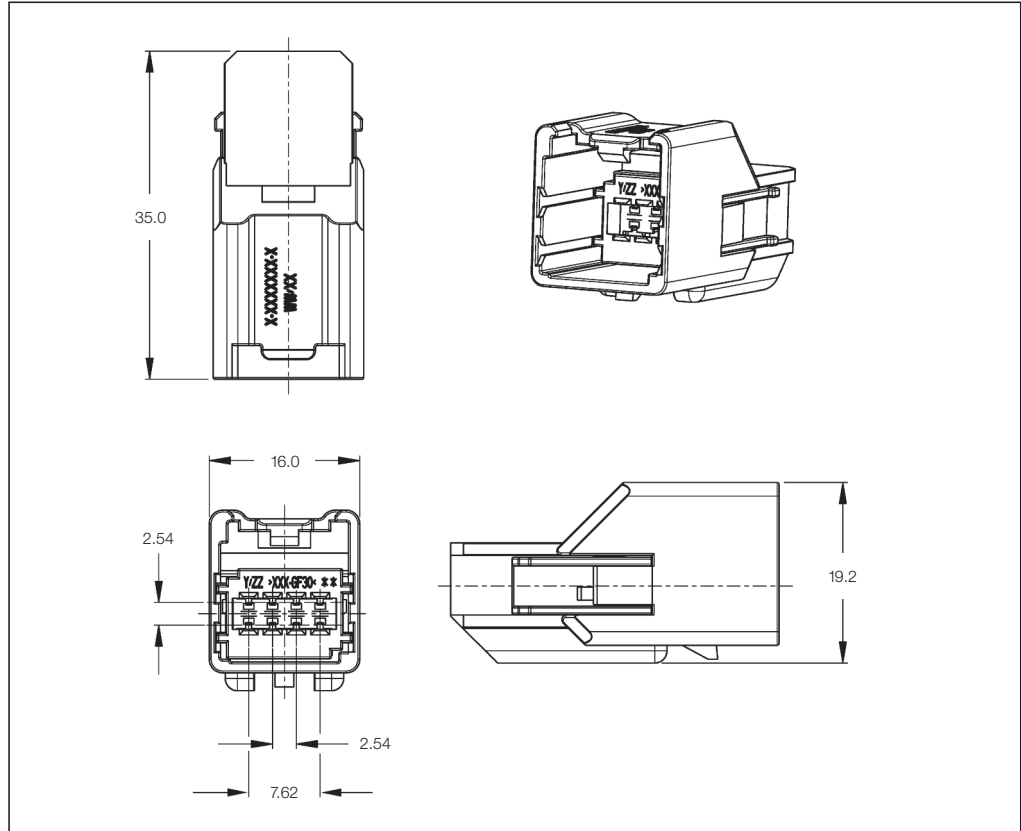
Product Specification:

114-13060

Application Specifications:

408-8955

408-8600



Unsealed Pin Housings 2-Rows

| No. of Positions | Keying Options | Housing Color | Part Numbers | | | | |
|------------------|----------------|---------------|--------------|-------|----------------|-----------------|----------------------------|
| | | | Pin Housing | Cover | Locking Device | Cover and Lever | Mating Receptacle Housing |
| 8 (2 x 4) | A | Black | 1411169-1 | – | – | – | 1-1419158-2 3-1419170-4 |
| | C | Black | 1411169-3 | – | – | – | 1419158-8 1-1419158-3 |
| | D | Black | 1411169-4 | – | – | – | 1-1419158-0 2-1419170-9 |
| | E | Black | 1411169-0 | – | – | – | 1-1419158-1 3-1419170-0 |
| | | | | | | | |

Unsealed Pin Housings 2-Rows

Technical Features

No. of Positions:

10 (2 x 5) Positions

Housing Material:

PA66 GF35

Wire Size Range:

0.22–0.75 mm²

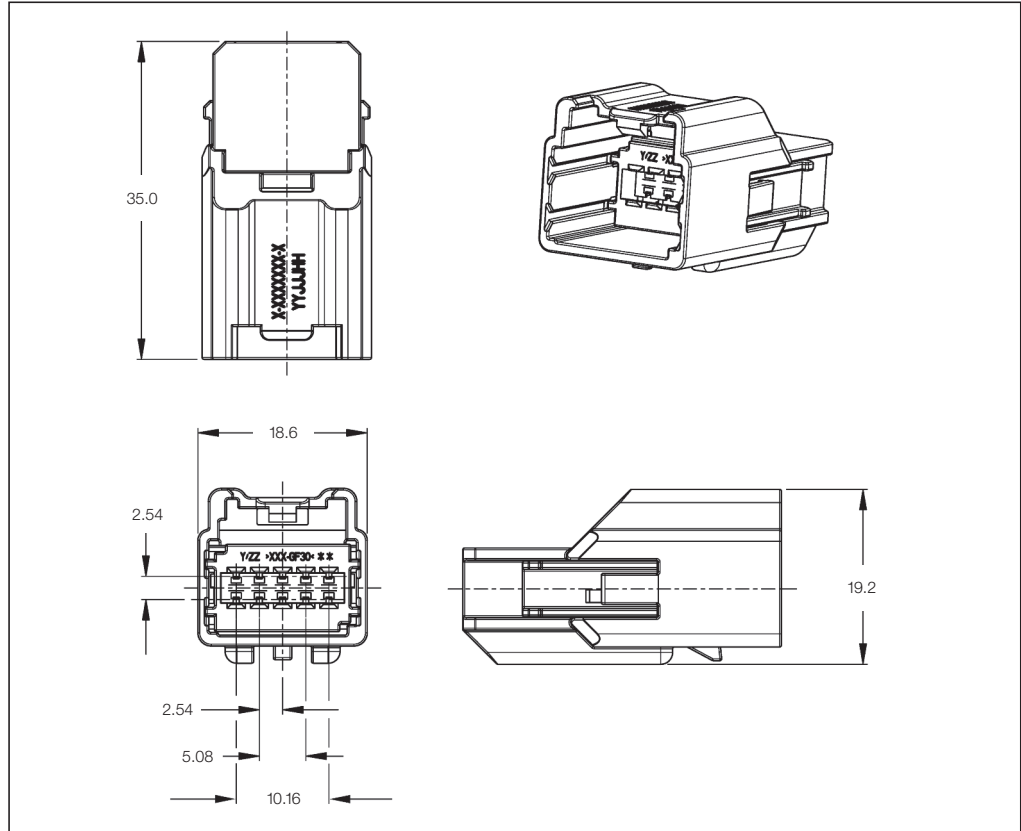
Product Specification:

114-13060

Application Specifications:

408-8955

408-8600



Unsealed Pin Housings 2-Rows

| No. of Positions | Keying Options | Housing Color | Part Numbers | | | | |
|------------------|----------------|---------------|--------------|-------|----------------|-----------------|----------------------------|
| | | | Pin Housing | Cover | Locking Device | Cover and Lever | Mating Receptacle Housing |
| 10 (2 x 5) | A | Black | 9-1419157-6 | – | – | – | 5-1419170-8 1-1419158-4 |

Unsealed Pin Housings 2-Rows

Technical Features

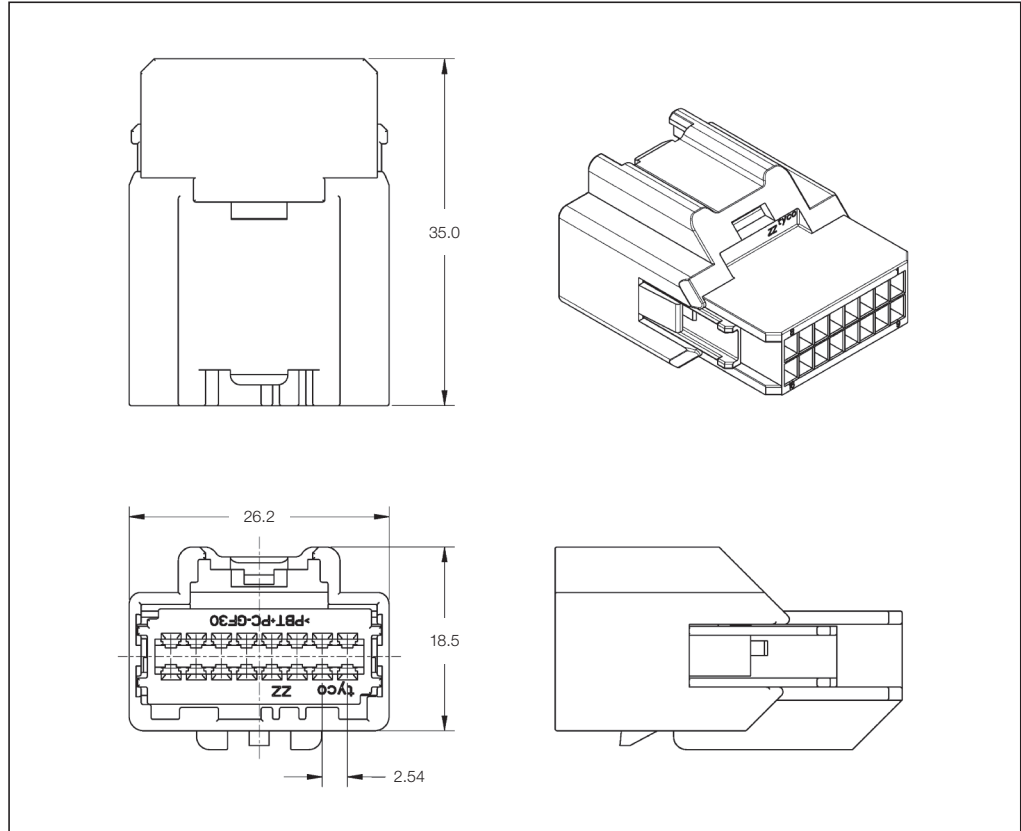
No. of Positions:
16 (2 x 8) Positions

Housing Material:
PA66 GF35

Wire Size Range:
0.22–0.75 mm²

Product Specification:
114-13060

Application Specifications:
408-8955
408-8600



Unsealed Pin Housings 2-Rows

| No. of Positions | Keying Options | Housing Color | Part Numbers | | | | |
|------------------|----------------|---------------|--------------|-------------|----------------|-----------------|---------------------------|
| | | | Pin Housing | Cover | Locking Device | Cover and Lever | Mating Receptacle Housing |
| 16 (2 x 8) | A | Black | 6-1419167-1 | – | – | – | 1419171-9 9-1419170-1 |
| | | Gray | 1411367-1 | – | – | – | 1411369-1 |
| | C | Black | 5-1419167-5 | – | – | – | 1419171-3 8-1419170-5 |
| | | D | Black | 5-1419167-6 | – | – | – |
| | E | Black | 5-1419167-7 | – | – | – | 1419171-5 8-1419170-7 |
| | | F | Black | 5-1419167-8 | – | – | – |

Unsealed Pin Housings 2-Rows

Technical Features

No. of Positions:

16 (2 x 8) Positions,
Special Version with
Mounting Ears

Housing Material:

PA66 GF35

Wire Size Range:

0.22–0.75 mm²

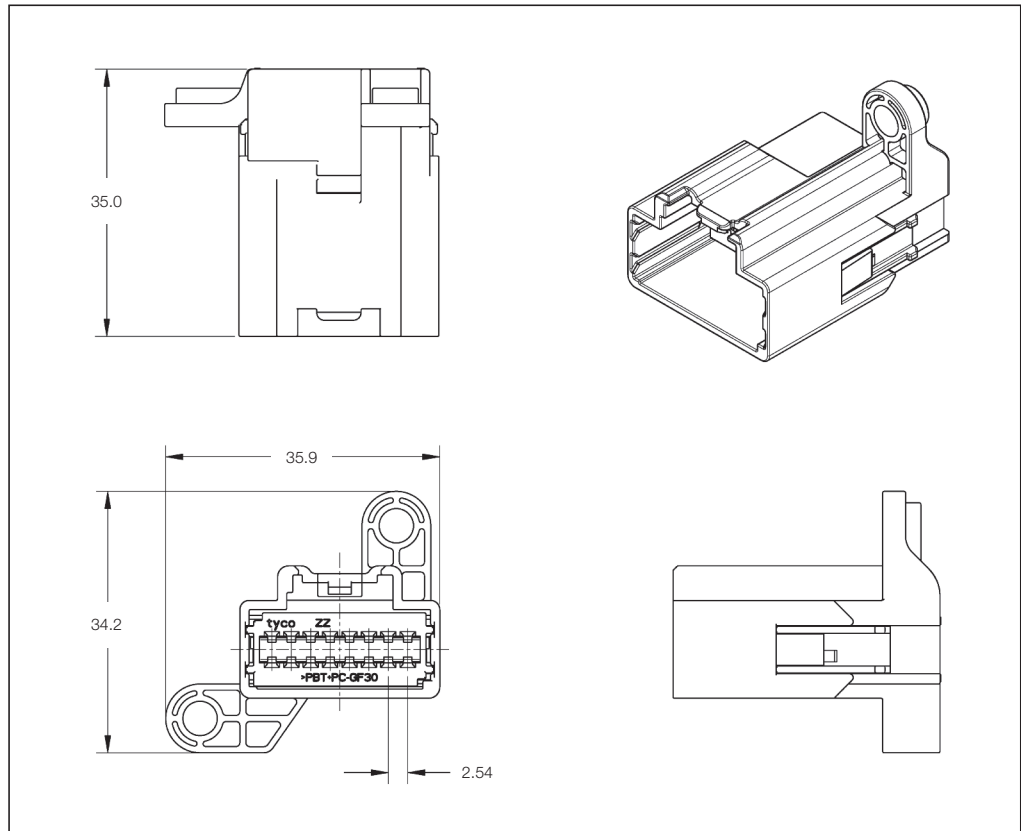
Product Specification:

114-13060

Application Specifications:

408-8955

408-8600



Unsealed Pin Housings 2-Rows

| No. of Positions | Keying Options | Housing Color | Part Numbers | | | | |
|------------------|----------------|---------------|--------------|-------|----------------|-----------------|---------------------------|
| | | | Pin Housing | Cover | Locking Device | Cover and Lever | Mating Receptacle Housing |
| 16 (2 x 8) | A | Black | 1438170-1 | – | – | – | 1488573-1 |

Unsealed Pin Housings 2-Rowss

Technical Features

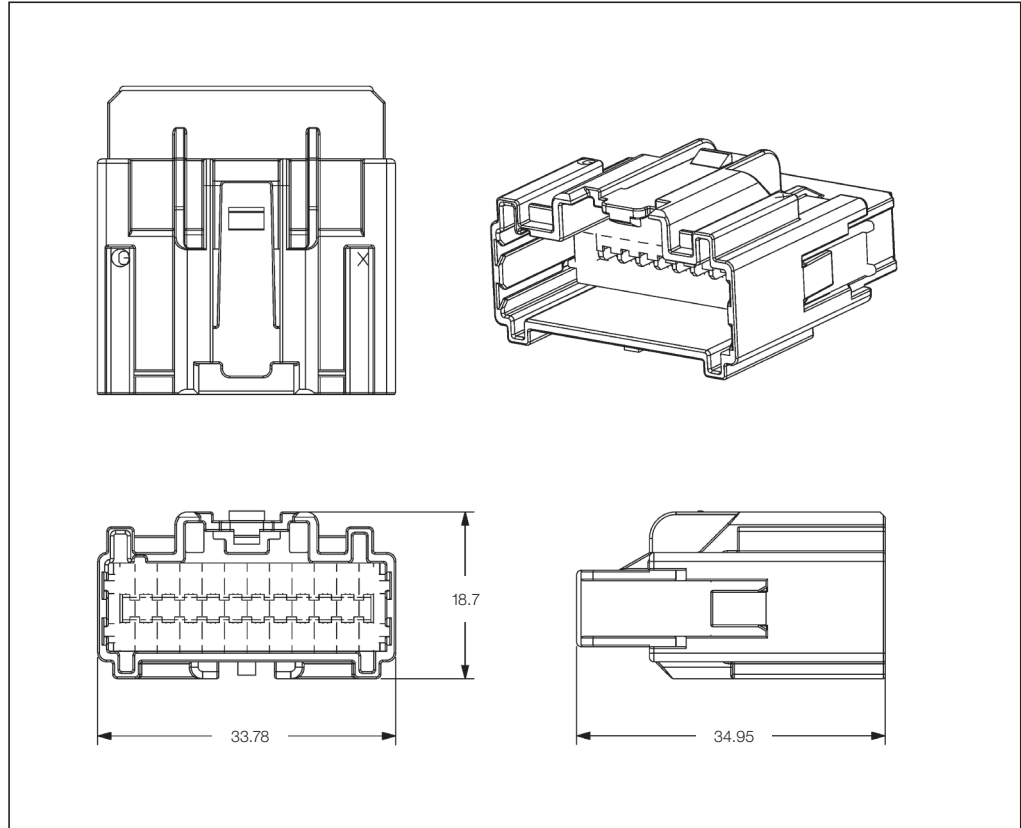
No. of Positions:
22 (2 x 11) Positions

Housing Material:
PA66 GF35

Wire Size Range:
0.22–0.75 mm²

Product Specification:
114-13060

Application Specifications:
408-8955
408-8600



Unsealed Pin Housings 2-Rows

| No. of Positions | Keying Options | Housing Color | Part Numbers | | | | |
|------------------|----------------|---------------|--------------|-------|----------------|-----------------|---------------------------|
| | | | Pin Housing | Cover | Locking Device | Cover and Lever | Mating Receptacle Housing |
| 22 (2 x 11) | A | Black | 2-1419158-8 | – | – | – | 1-1419158-7 |
| | | | | | | | 1420011-1 |
| | B | Black | 2-1419158-7 | – | – | – | 3-1419158-0 |
| | | | | | | | 1420011-2 |
| | C | Black | 2-1419158-6 | – | – | – | 2-1419158-9 |
| | | | | | | | 1420011-3 |

Unsealed Pin Housings (Special Hybrid)

Technical Features

No. of Positions:

60 Position Hybrid
34 x GET.64 Terminal
2 x 1.5 mm Terminal
24 x 2.8 mm Terminal

Housing Material:

PA66 GF35

Wire Size Range:

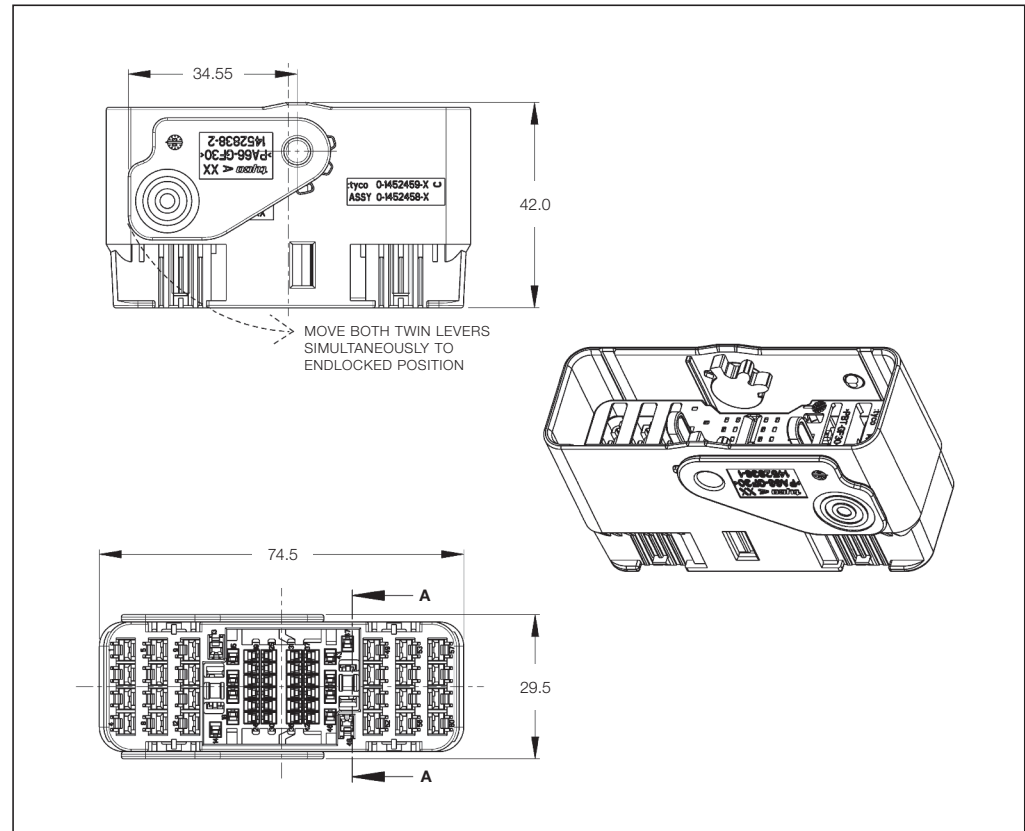
0.22–0.75 mm²

Product Specification:

108-18836

Application Specification:

114-18525



Unsealed Pin Housings (Special Hybrid)

| No. of Positions | Keying Options | Housing Color | Part Numbers | | | | |
|------------------|----------------|---------------|--------------|-----------|----------------|-----------------|---------------------------|
| | | | Pin Housing | Cover | Locking Device | Cover and Lever | Mating Receptacle Housing |
| 60 | A | Black | 1452458-1 | 1452462-3 | – | – | 1452454-1 |

Unsealed Printed Circuit Board Headers 1-Row

Technical Features

No. of Positions:

2 (1 x 2) Positions

Housing Material:

PA66 GF35

Wire Size Range:

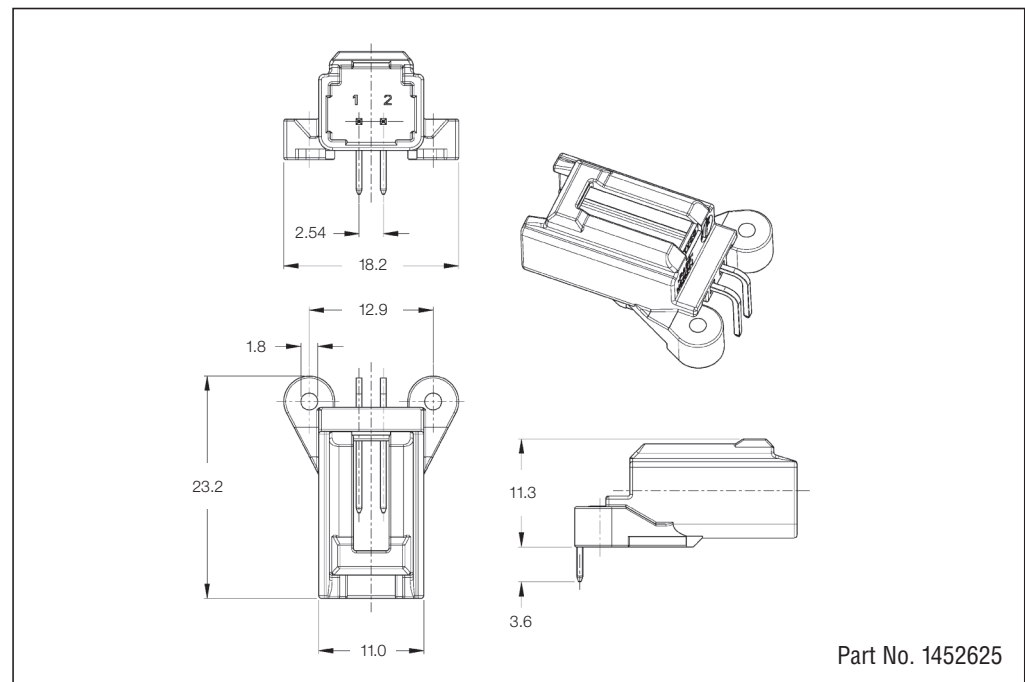
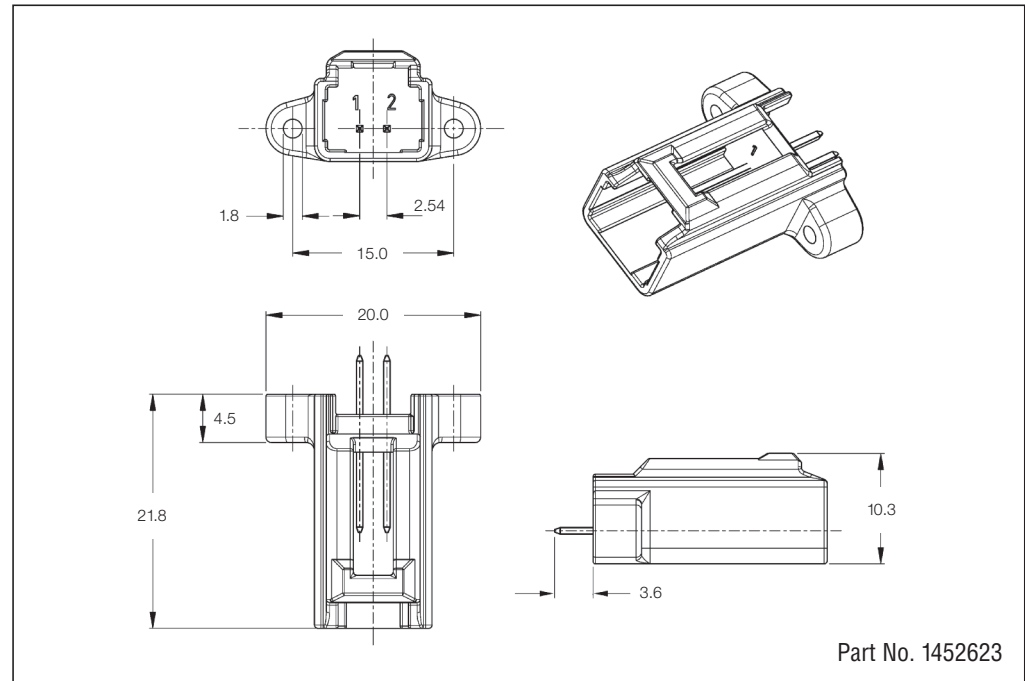
Brass with Tin Finish

Product Specification:

—

Application Specification:

—



Unsealed Printed Circuit Board Headers 1-Row

| No. of Positions | Housing Color | Part Numbers | | | | | |
|------------------|---------------|------------------------|---------------------|-------|-----------------|------------------|---------------------------|
| | | PCB Header Right-Angle | PCB Header Vertical | Cover | Cover and Lever | Retainer Housing | Mating Receptacle Housing |
| 2 (1 x 2) | Black | 1452625-1 | 1452623-1 | — | — | — | 1452598-1 |

Note: All Part Numbers are RoHS and ELV compliant.

Unsealed Printed Circuit Board Headers 1-Row – Surface Mount Technology

Technical Features

No. of Positions:

6 (1 x 6) Positions

Housing Material:

PCT GF30

Wire Size Range:

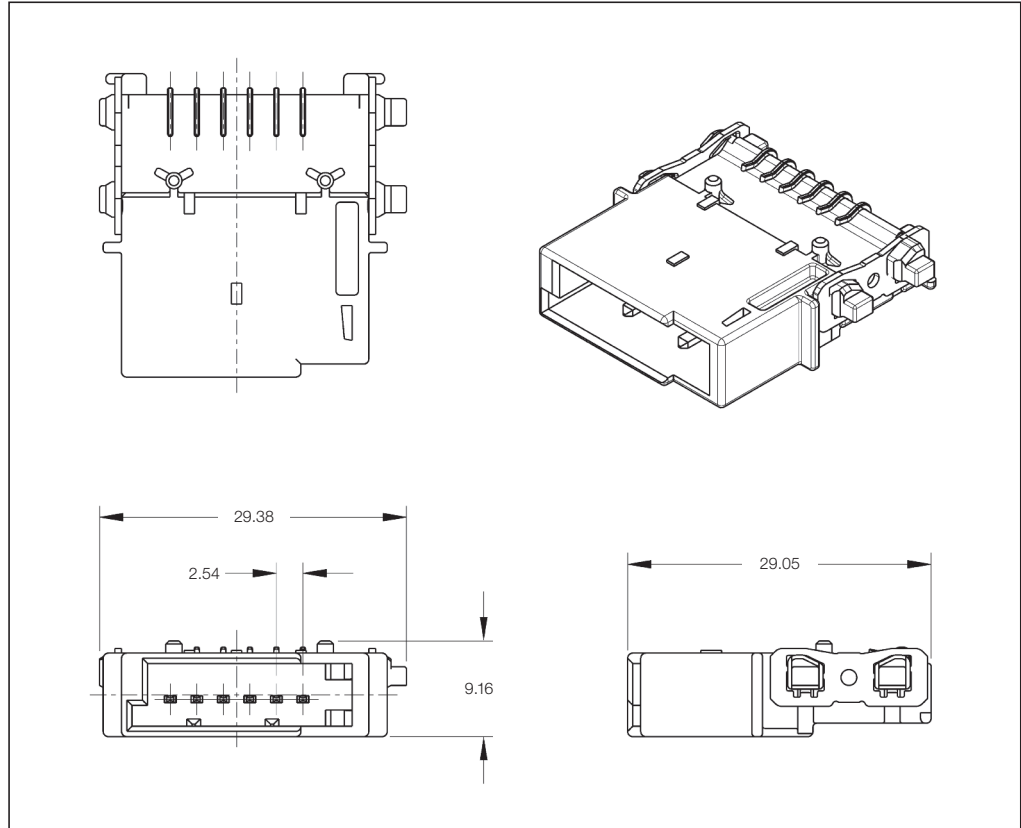
Brass with Tin Finish

Product Specification:

—

Application Specification:

114-13230



Unsealed Printed Circuit Board Headers 1-Row – Surface Mount Technology

| No. of Positions | Housing Color | Part Numbers | | | | | |
|------------------|---------------|---------------------------|------------------------|-------|--------------------|---------------------|------------------------------|
| | | PCB Header Right-Angle | PCB Header Vertical | Cover | Cover and Lever | Retainer Housing | Mating Receptacle Housing |
| 6 (1 x 6) | Black | 1927688-3 | — | — | — | — | 1488752-3 |

Note: All Part Numbers are RoHS and ELV compliant.

Sealed Receptacle Housings 1-Row

Technical Features

No. of Positions:

4 (1 x 4) Positions

Housing Material:

PA66 GF35

Wire Size Range:

0.22–0.75 mm²

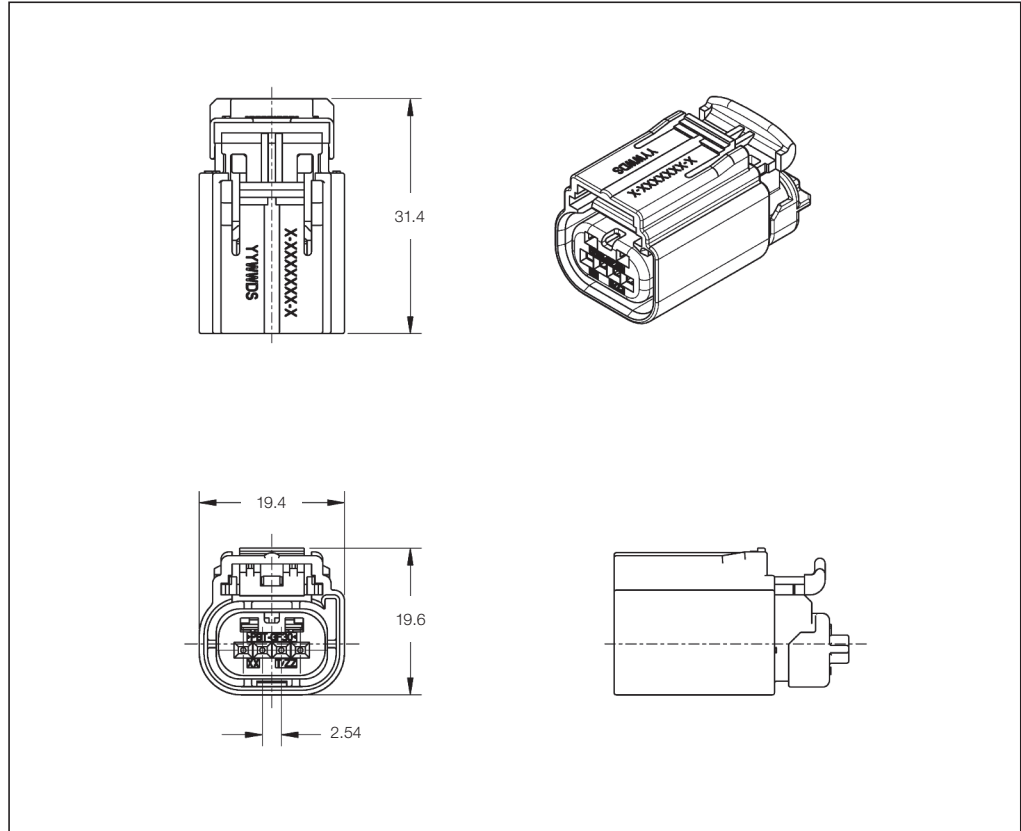
Product Specifications:

114-13150

114-13060

Application Specification:

408-8598



Sealed Receptacle Housings 1-Row with CPA

| No. of Positions | Keying Options | Housing Color | Part Numbers | | | | | | |
|------------------|------------------|---------------|--------------------|-------|----------------|-----------------|--------------------|-------------------------------|----------------------------|
| | | | Receptacle Housing | Cover | Locking Device | Cover and Lever | Mating Pin Housing | Mating PCB Header Right-Angle | Mating PCB Header Vertical |
| 4 (1 x 4) | A | Gray | 9-1419167-8 | - | - | - | - | - | - |
| | B | Gray | 9-1419167-9 | - | - | - | - | - | - |
| | | | 1719256-1 | - | - | - | - | - | - |
| | A with 2 blocked | Gray | 1438188-1 | - | - | - | - | - | - |

Sealed Receptacle Housings 1-Row without CPA

| No. of Positions | Keying Options | Housing Color | Part Numbers | | | | | | |
|------------------|------------------|---------------|--------------------|-------|----------------|-----------------|--------------------|-------------------------------|----------------------------|
| | | | Receptacle Housing | Cover | Locking Device | Cover and Lever | Mating Pin Housing | Mating PCB Header Right-Angle | Mating PCB Header Vertical |
| 4 (1 x 4) | A | Gray | 9-1419167-0 | - | - | - | - | - | - |
| | B | Gray | 9-1419167-1 | - | - | - | - | - | - |
| | A with 1 blocked | Gray | 9-1419167-5 | - | - | - | - | - | - |

Sealed Receptacle Housings 1-Row

Technical Features

No. of Positions:

6 (1 x 6) Positions

Housing Material:

PA66 GF35

Wire Size Range:

0.22–0.75 mm²

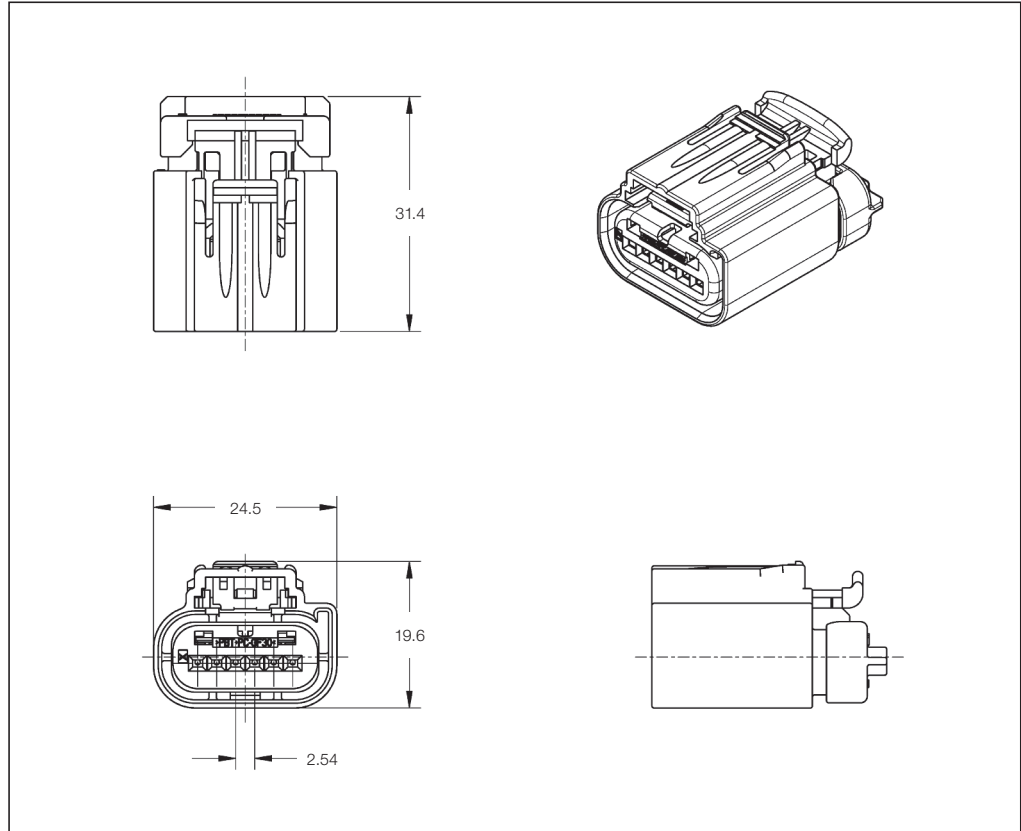
Product Specifications:

114-13150

114-13060

Application Specification:

408-8598



Sealed Receptacle Housings 1-Row with CPA

| No. of Positions | Keying Options | Housing Color | Part Numbers | | | | | | |
|------------------|--|---------------|-------------------------------------|-------|----------------|-----------------|--------------------|-------------------------------|----------------------------|
| | | | Receptacle Housing | Cover | Locking Device | Cover and Lever | Mating Pin Housing | Mating PCB Header Right-Angle | Mating PCB Header Vertical |
| 6 (1 x 6) | A | Black | 1-1419168-1 | | | | | | |
| | B | Black | 1-1419168-2 | - | - | - | - | - | - |
| | C | Black | 1-1419168-3 | | | | | | |
| | D | Black | 1-1419168-4 | | | | | | |
| | A with 1 blocked with 2 blocked | Black | 1438153-4 1438153-1 | - | - | - | - | - | - |
| | B with 1 blocked with 2 blocked with 3 blocked | Black | 1438153-6 1438153-5 1438153-2 | - | - | - | - | - | - |

Sealed Receptacle Housings 1-Row without CPA

| No. of Positions | Keying Options | Housing Color | Part Numbers | | | | | | |
|------------------|------------------|---------------|--------------------|-------|----------------|-----------------|--------------------|-------------------------------|----------------------------|
| | | | Receptacle Housing | Cover | Locking Device | Cover and Lever | Mating Pin Housing | Mating PCB Header Right-Angle | Mating PCB Header Vertical |
| 6 (1 x 6) | A | Black | 1419168-7 | | | | | | |
| | B | Black | 1419168-8 | - | - | - | - | - | - |
| | C | Black | 1419168-9 | | | | | | |
| | D | Black | 1-1419168-0 | | | | | | |
| | A with 1 blocked | Black | 1438153-3 | - | - | - | - | - | - |
| | B with 2 blocked | Black | 1438153-7 | - | - | - | - | - | - |

Sealed Receptacle Housings 2-Rows

Technical Features

No. of Positions:

8 (2 x 4) Position Assy

Housing Material:

PA66 GF35

Wire Size Range:

0.22–0.75 mm²

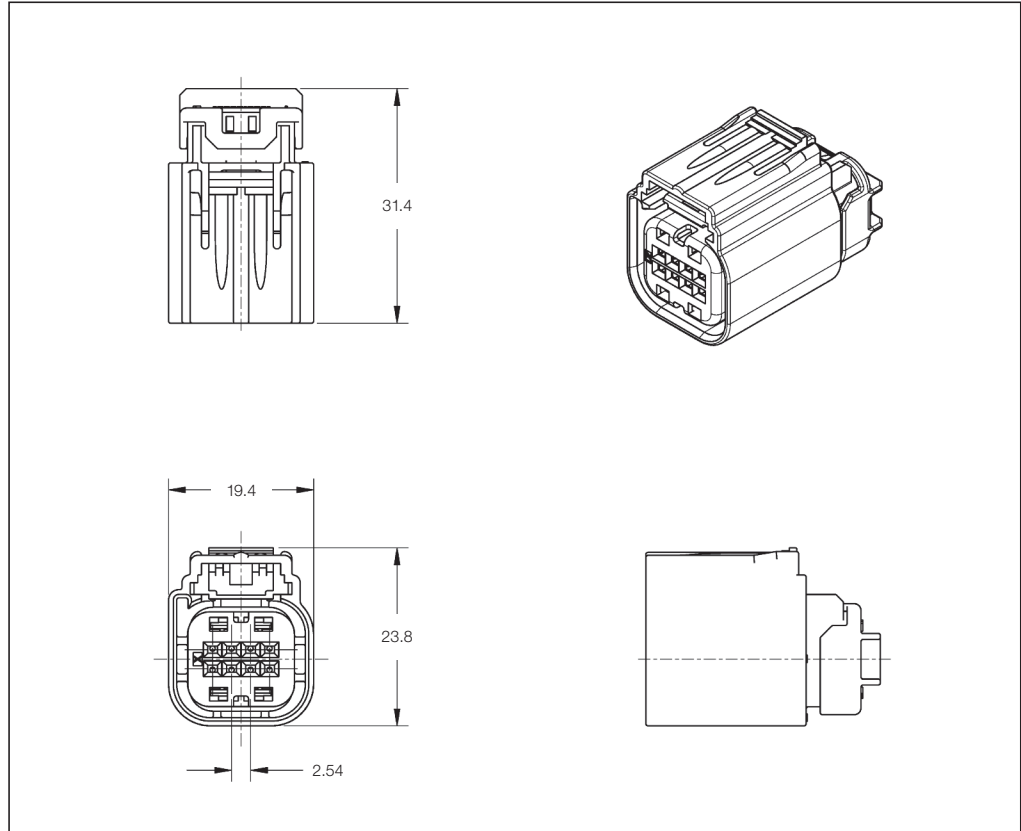
Product Specifications:

114-13150

114-13060

Application Specification:

408-8598



Sealed Receptacle Housings 2-Row with CPA

| No. of Positions | Keying Options | Housing Color | Part Numbers | | | | | | |
|------------------|----------------|---------------|--------------------|-------|----------------|-----------------|--------------------|-------------------------------|----------------------------|
| | | | Receptacle Housing | Cover | Locking Device | Cover and Lever | Mating Pin Housing | Mating PCB Header Right-Angle | Mating PCB Header Vertical |
| 8 (2 x 4) | A | Black | 3-1419168-4 | | | | | | |
| | B | Black | 3-1419168-5 | - | - | - | - | - | - |
| | C | Black | 3-1419168-6 | | | | | | |
| | D | Black | 3-1419168-7 | | | | | | |

Sealed Receptacle Housings 2-Row without CPA

| No. of Positions | Keying Options | Housing Color | Part Numbers | | | | | | |
|------------------|------------------|---------------|--------------------|-------|----------------|-----------------|--------------------|-------------------------------|----------------------------|
| | | | Receptacle Housing | Cover | Locking Device | Cover and Lever | Mating Pin Housing | Mating PCB Header Right-Angle | Mating PCB Header Vertical |
| 8 (2 x 4) | A | Black | 2-1419168-1 | | | | | | |
| | B | Black | 1411001-1 | - | - | - | - | - | - |
| | C | Black | 2-1419168-3 | | | | | | |
| | D | Black | 2-1419168-4 | | | | | | |
| | B with 2 blocked | Black | 1411001-2 | - | - | - | - | - | - |

Sealed Receptacle Housings 2-Rows

Technical Features

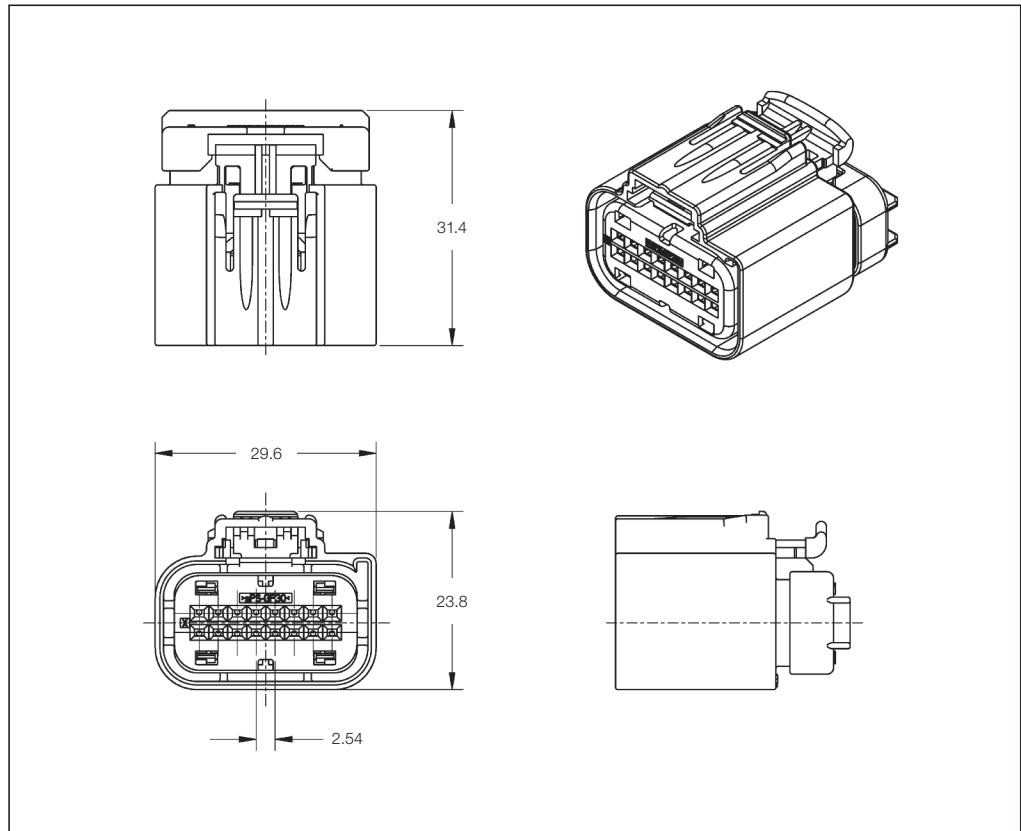
No. of Positions:
16 (2 x 8) Position Assy

Housing Material:
PA66 GF35

Wire Size Range:
0.22–0.75 mm²

Product Specifications:
114-13150
114-13060

Application Specification:
408-8598



Sealed Receptacle Housings 2-Row with CPA

| No. of Positions | Keying Options | Housing Color | Part Numbers | | | | | | |
|------------------|----------------------------------|---------------|--------------------|-------|----------------|-----------------|--------------------|-------------------------------|----------------------------|
| | | | Receptacle Housing | Cover | Locking Device | Cover and Lever | Mating Pin Housing | Mating PCB Header Right-Angle | Mating PCB Header Vertical |
| 18 (2 x 9) | A | Black | 5-1419168-8 | - | - | - | - | - | - |
| | B | Black | 5-1419168-9 | - | - | - | - | - | - |
| | A | Black | 1438031-5 | - | - | - | - | - | - |
| | with 7 blocked with 8 blocked | | 1438031-6 | - | - | - | - | - | - |

Sealed Receptacle Housings 2-Row without CPA

| No. of Positions | Keying Options | Housing Color | Part Numbers | | | | | | |
|------------------|----------------|---------------|--------------------|-------|----------------|-----------------|--------------------|-------------------------------|----------------------------|
| | | | Receptacle Housing | Cover | Locking Device | Cover and Lever | Mating Pin Housing | Mating PCB Header Right-Angle | Mating PCB Header Vertical |
| 16 (2 x 8) | A | Black | 1438031-1 | - | - | - | - | - | - |
| | B | Black | 1438031-2 | - | - | - | - | - | - |
| | C | Black | 1438031-3 | - | - | - | - | - | - |
| | D | Black | 1438031-4 | - | - | - | - | - | - |

Sealed Receptacle Housings 2-Rows

Technical Features

No. of Positions:

18 (2 x 9) Position Assy
without CPA

Housing Material:

PA66 GF35

Wire Size Range:

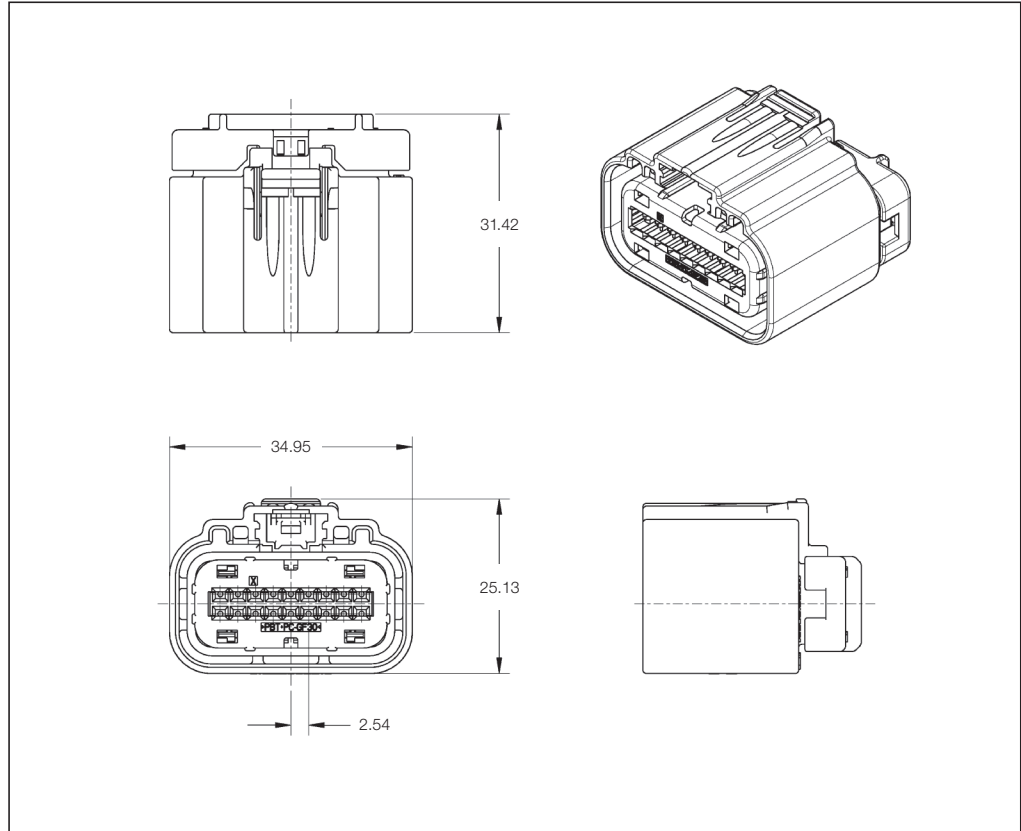
0.22–0.75 mm²

Product Specifications:

114-13150
114-13060

Application Specification:

408-8598



Sealed Receptacle Housings 2-Row

| No. of Positions | Keying Options | Housing Color | Part Numbers | | | | | | |
|------------------|-----------------|---------------|--------------------|-------|----------------|-----------------|--------------------|-------------------------------|----------------------------|
| | | | Receptacle Housing | Cover | Locking Device | Cover and Lever | Mating Pin Housing | Mating PCB Header Right-Angle | Mating PCB Header Vertical |
| | A | Black | 1488533-5 | | | | | | |
| | B | Black | 1488533-6 | - | - | - | - | - | - |
| | C | Black | 1488533-7 | | | | | | |
| | D | Black | 1488533-8 | | | | | | |
| 18 (2 x 9) | A | | | | | | | | |
| | with 2 blocked | | 1-1438533-3 | | | | | | |
| | with 3 blocked | | 1-1438533-4 | | | | | | |
| | with 5 blocked | Black | 1-1438533-7 | - | - | - | - | - | - |
| | with 8 blocked | | 1438533-9 | | | | | | |
| | with 9 blocked | | 1-1488533-9 | | | | | | |
| | with 13 blocked | | 2-1438533-1 | | | | | | |

Sealed Receptacle Housings 4-Rows with CPA

Technical Features

No. of Positions:

20 Position Assy
(depop 24 pos.)
with 5 Shorting Bars

Housing Material:

PA66 GF35

Wire Size Range:

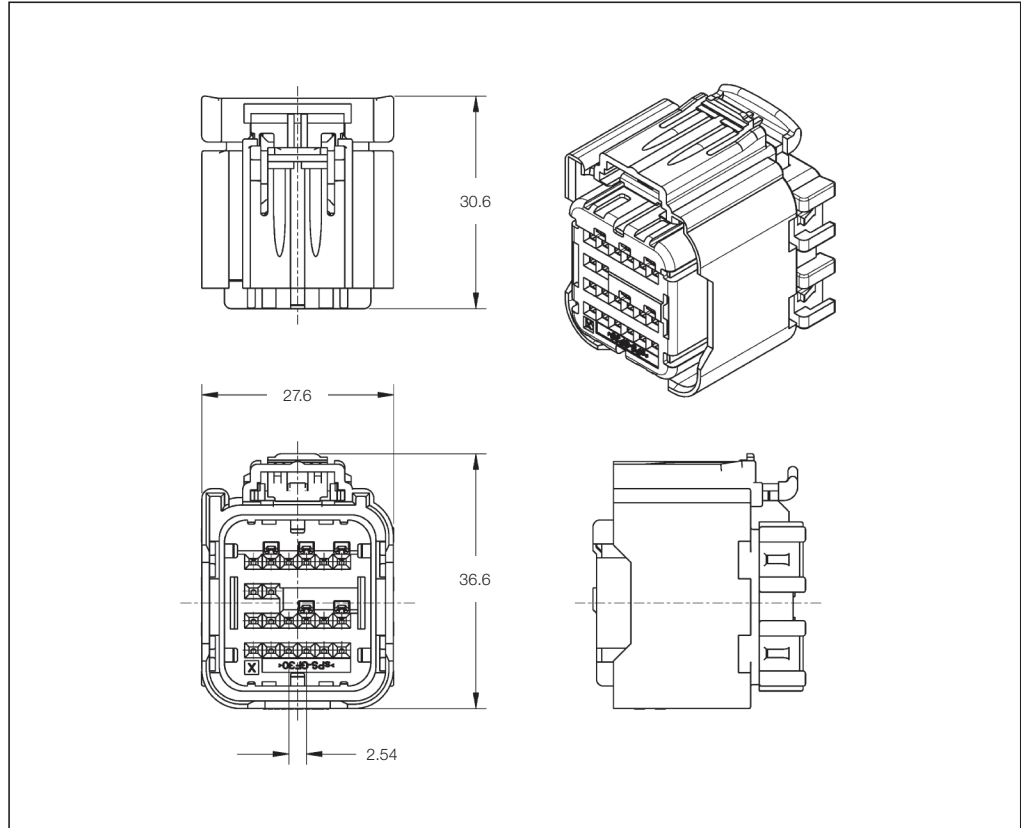
0.22–0.75 mm²

Product Specifications:

114-13150
114-13060

Application Specification:

408-8598



Sealed Receptacle Housings 4-Rows with CPA

| No. of Positions | Keying Options | Housing Color | Part Numbers | | | | | | |
|------------------|----------------|----------------------|--------------------|-------|----------------|-----------------|--------------------|-------------------------------|----------------------------|
| | | | Receptacle Housing | Cover | Locking Device | Cover and Lever | Mating Pin Housing | Mating PCB Header Right-Angle | Mating PCB Header Vertical |
| 20 | A | see Customer Drawing | 1924672-1 / -9 | | | | | | |
| | | | 1-1924672-0 / -9 | | | | | | |
| | | | 2-1924672-0 / -7 | - | - | - | - | 8-1419157-9 | - |
| | | | 2-1924672-9 | | | | | | |
| | | | 3-1924672-2 / -7 | | | | | | |
| | B | see Customer Drawing | 2-1924672-8 | - | - | - | - | 1438322-3 | - |
| | | | 3-1924672-0 | | | | | | |
| | | | | | | | | | |

Sealed Receptacle Housings 4-Rows without CPA

Technical Features

No. of Positions:

20 Position Assy
(depop 24 pos.)
with 5 Shorting Bars

Housing Material:

PA66 GF35

Wire Size Range:

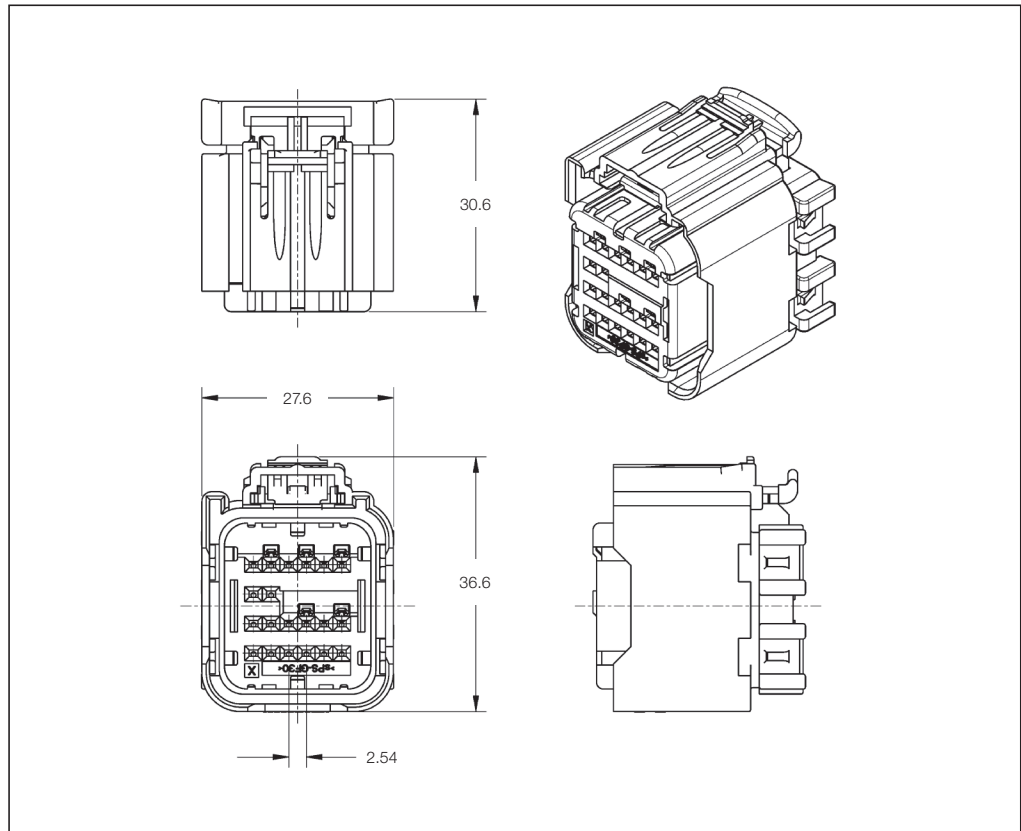
0.22–0.75 mm²

Product Specifications:

114-13150
114-13060

Application Specification:

408-8598



Sealed Receptacle Housings 4-Rows without CPA

| No. of Positions | Keying Options | Housing Color | Part Numbers | | | | | | | |
|------------------|----------------|----------------------|--------------------|-------|----------------|-----------------|--------------------|-------------------------------|----------------------------|--|
| | | | Receptacle Housing | Cover | Locking Device | Cover and Lever | Mating Pin Housing | Mating PCB Header Right-Angle | Mating PCB Header Vertical | |
| 20 | A | see Customer Drawing | 1924670-1 / -9 | | | | | | | |
| | | | 1-1924670-0 / -9 | | | | | | | |
| | | | 2-1924670-0 / -9 | | | | | | | |
| | | | 3-1924670-0 / -9 | - | - | - | - | 8-1419157-9 | - | |
| | | | 4-1924670-0 / -9 | | | | | | | |
| | | | 5-1924670-0 / -9 | | | | | | | |
| | | | 6-1924670-0 / -6 | | | | | | | |
| | B | see Customer Drawing | 1924671-1 / -8 | - | - | - | - | 1438322-3 | - | |
| | C | see Customer Drawing | 1924680-1 | - | - | - | - | 1438522-1 | - | |
| | D | see Customer Drawing | 1924681-1 | | | | | | 1438522-6 | |
| | | | | | | | | | 1438522-7 | |
| | | | | | | | | | 1438522-8 | |

Sealed Receptacle Housings 4-Rows

Technical Features

No. of Positions:

24 Position Assy
with selectively loaded
Shorting Bars

Housing Material:

PA66 GF35

Wire Size Range:

0.22–0.75 mm²

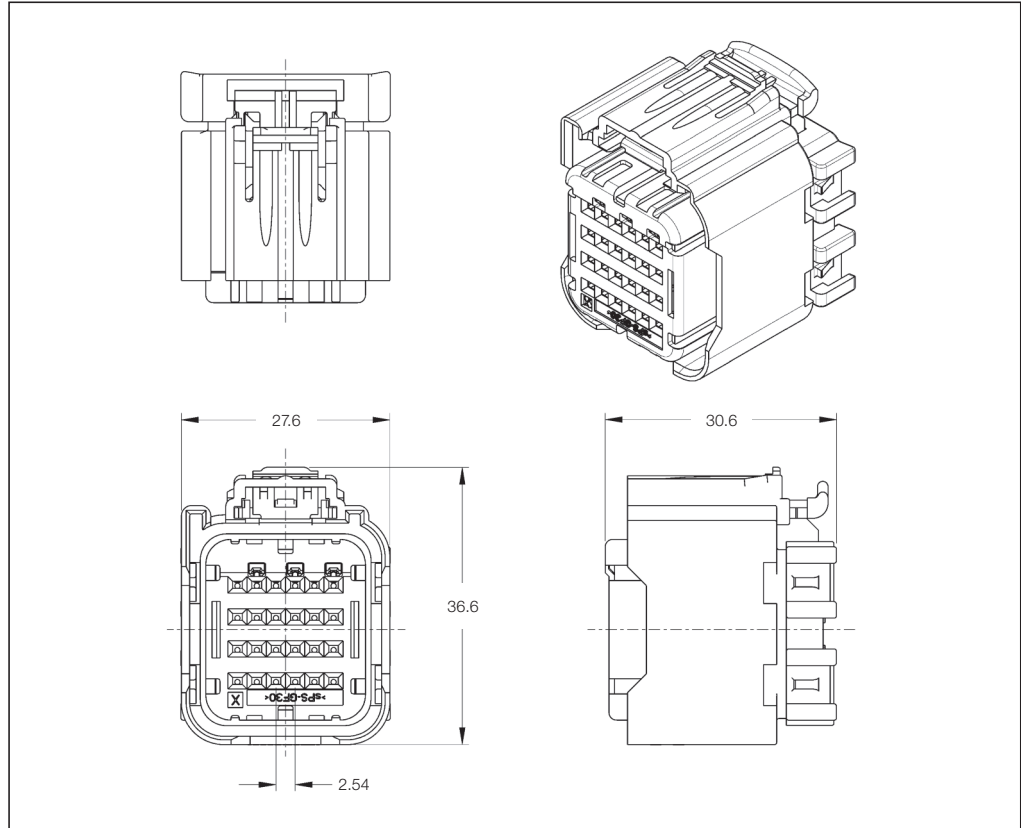
Product Specifications:

114-13150

114-13060

Application Specification:

408-8598



Sealed Receptacle Housings 4-Rows with CPA

| No. of Positions | Keying Options | Housing Color | Part Numbers | | | | | | | |
|------------------|----------------|----------------------|------------------------------------|-------|----------------|-----------------|--------------------|-------------------------------|----------------------------|---|
| | | | Receptacle Housing | Cover | Locking Device | Cover and Lever | Mating Pin Housing | Mating PCB Header Right-Angle | Mating PCB Header Vertical | |
| 24 | A | see Customer Drawing | 1924675-1 / -9 1-1924675-0 / -4 | - | - | - | - | - | 1456777-1 / -2 | - |

Sealed Receptacle Housings 4-Rows without CPA

| No. of Positions | Keying Options | Housing Color | Part Numbers | | | | | | | |
|------------------|----------------|----------------------|------------------------------------|-------|----------------|-----------------|--------------------|-------------------------------|----------------------------|---|
| | | | Receptacle Housing | Cover | Locking Device | Cover and Lever | Mating Pin Housing | Mating PCB Header Right-Angle | Mating PCB Header Vertical | |
| 24 | A | see Customer Drawing | 1924674-1 / -9 1-1924674-0 / -2 | - | - | - | - | - | 1456777-1 / -2 | - |

Sealed Receptacle Housings 4-Rows

Technical Features

No. of Positions:

24 Position Assy
without Shorting Bars
without CPA

Housing Material:

PA66 GF35

Wire Size Range:

0.22–0.75 mm²

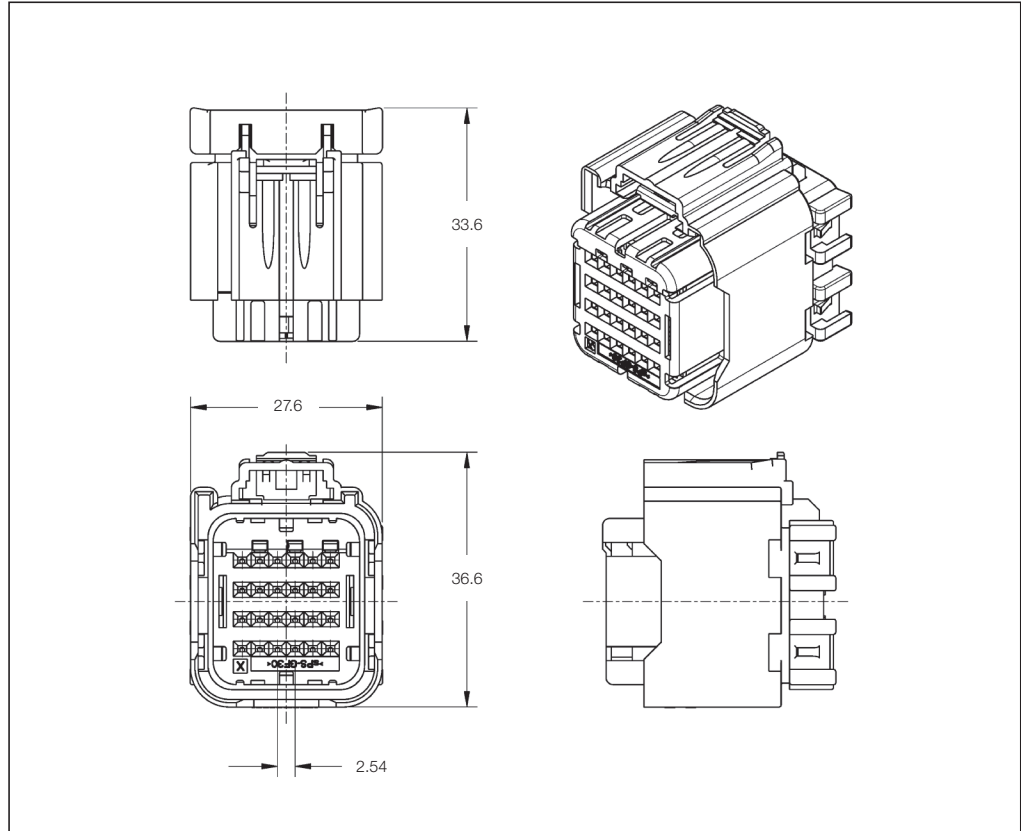
Product Specifications:

114-13150

114-13060

Application Specification:

408-8598



Sealed Receptacle Housings 4-Rows without CPA

| No. of Positions | Keying Options | Housing Color | Part Numbers | | | | | | |
|------------------|----------------|----------------------|--------------------|-----------|----------------|-----------------|--------------------|-------------------------------|----------------------------|
| | | | Receptacle Housing | Cover | Locking Device | Cover and Lever | Mating Pin Housing | Mating PCB Header Right-Angle | Mating PCB Header Vertical |
| 24 | A | see Customer Drawing | 3-1417171-9 | - | - | - | - | 1456777-1 / -2 | - |
| | | | 7-1419157-9 | | | | | | |
| | | | 1438103-1 / -9 | | | | | | |
| | | | 1-1438103-0 / -7 | | | | | | |
| | B | see Customer Drawing | 4-1419171-0 | - | - | - | - | - | - |
| | | | 1438095-2 / -9 | | | | | | |
| | | | 1-1438095-0 / -9 | | | | | | |
| | C | see Customer Drawing | 2-1438095-0 / -3 | - | - | - | - | - | - |
| | | | 4-1419171-1 | | | | | | |
| | | | 1438096-2 / -9 | | | | | | |
| | D | see Customer Drawing | 1-1438096-0 / -4 | - | - | - | - | - | - |
| | | | 1438356-1 / -9 | | | | | | |
| | E | see Customer Drawing | 1-1438356-0 / -2 | - | - | - | - | - | - |
| | | | 1438582-1 | | | | | | |
| | | | 1438582-2 | | | | | | |
| | F | see Customer Drawing | 1438582-3 | - | - | - | - | - | - |
| | | | 1438583-1 | | | | | | |
| | | | 1438583-2 | | | | | | |
| | | | | 1438583-3 | | | | | |

Sealed Receptacle Housings – Multiple Rows

Technical Features

No. of Positions:

30 Position Assy
22 x GET.64 Terminal
8 x 1.5 mm Terminal
with Lever

Housing Material:

PA66 GF35

Wire Size Range:

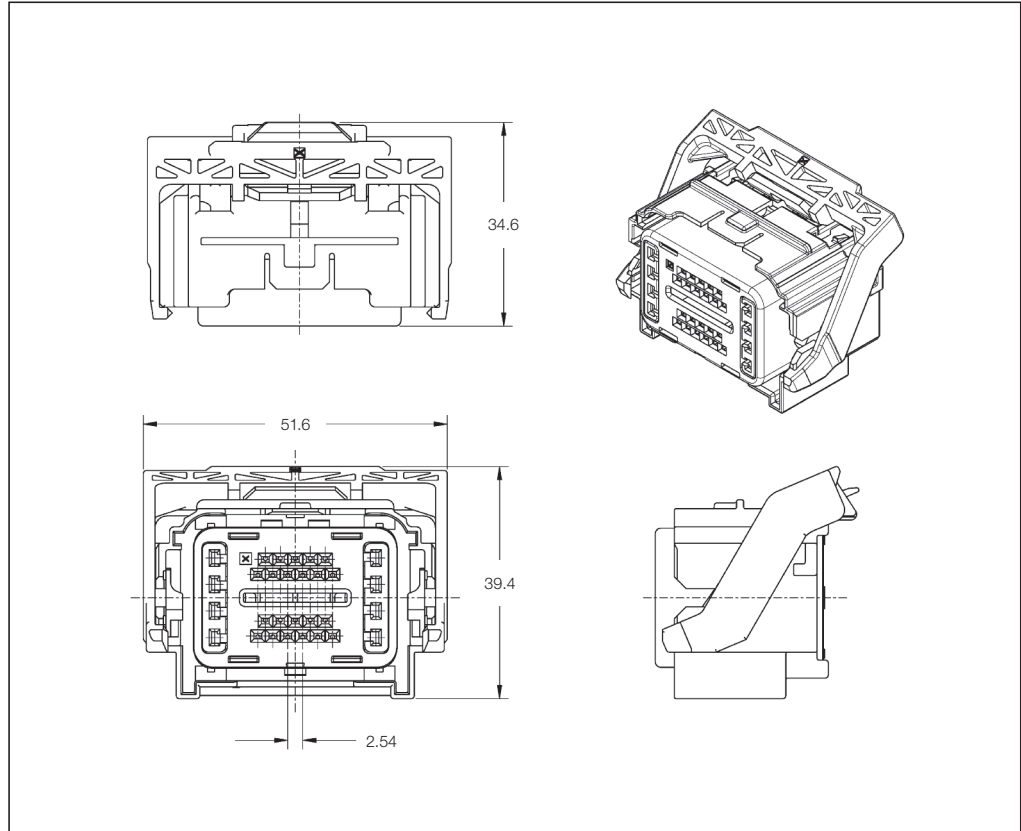
0.22–0.75 mm²

Product Specifications:

114-13150
114-13060

Application Specification:

408-8598



Sealed Receptacle Housings – Multiple Rows

| No. of Positions | Keying Options | Housing Color | Part Numbers | | | | | | | |
|------------------|----------------|---------------|--------------------|-------|----------------|-----------------|--------------------|-------------------------------|----------------------------|-----------|
| | | | Receptacle Housing | Cover | Locking Device | Cover and Lever | Mating Pin Housing | Mating PCB Header Right-Angle | Mating PCB Header Vertical | |
| 30 | A | Black | 1438083-1 | - | - | - | - | - | - | 1438087-1 |

Sealed Receptacle Housings 4-Rows

Technical Features

No. of Positions:

38 Position Assy
(depop 40 pos.)
with 6 Shorting Bars

Housing Material:

PA66 GF35

Wire Size Range:

0.22–0.75 mm²

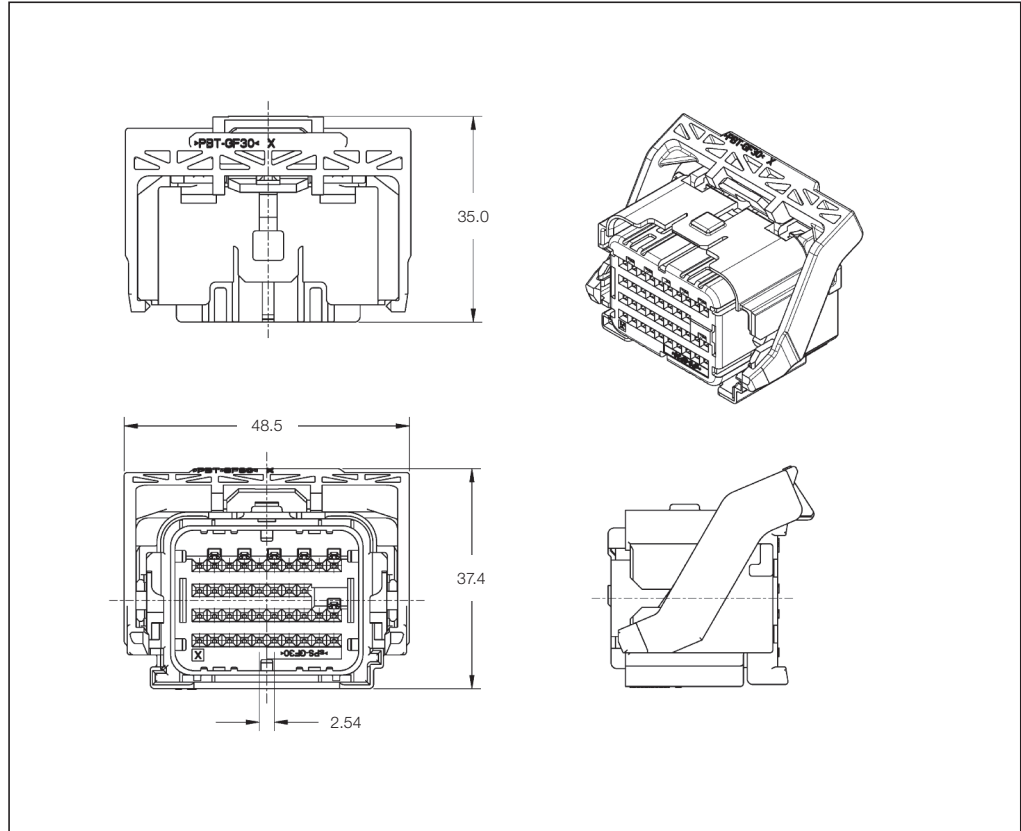
Product Specifications:

114-13150

114-13060

Application Specification:

408-8598



Sealed Receptacle Housings 4-Rows with Standard Lever

| No. of Positions | Keying Options | Housing Color | Part Numbers | | | | | | | | |
|------------------|----------------|----------------------|--------------------|-------|----------------|-----------------|--------------------|-------------------------------|----------------------------|-----------|---|
| | | | Receptacle Housing | Cover | Locking Device | Cover and Lever | Mating Pin Housing | Mating PCB Header Right-Angle | Mating PCB Header Vertical | | |
| 38 | G | see Customer Drawing | 7-1419157-9 | | | | | | | | |
| | | | 8-1419157-0 / -6 | - | - | - | - | - | - | | |
| | | | 1438090-1 / -9 | | | | | | | | |
| | | | 1-1438090-0 / -9 | | | | | | | | |
| | | | 2-1438090-0 / -9 | | | | | | | | |
| | | | 3-1438090-0 / -9 | | | | | | | | |
| | | | 4-1438090-0 / -9 | - | - | - | - | 8-1419157-9 | - | | |
| | | | 5-1438090-0 / -9 | | | | | | | | |
| | | | 6-1438090-0 / -9 | | | | | | | | |
| | | | 7-1438090-0 / -9 | | | | | | | | |
| | | | 8-1438090-0 / -9 | | | | | | | | |
| | | | 9-1438090-0 / -9 | | | | | | | | |
| | | | 1456897-1 / -9 | | | | | | | | |
| | | | H | Black | 1488339-1 | - | - | - | - | 1438322-3 | - |
| | | | J | Black | 1438485-1 | - | - | - | - | 1438522-6 | - |
| K | Black | 1438486-1 | - | - | - | - | 1438522-7 | - | | | |

Sealed Receptacle Housings 4-Rows

Technical Features

No. of Positions:

38 Position Assy
(depop 40 pos.)
with 6 Shorting Bars

Housing Material:

PA66 GF35

Wire Size Range:

0.22–0.75 mm²

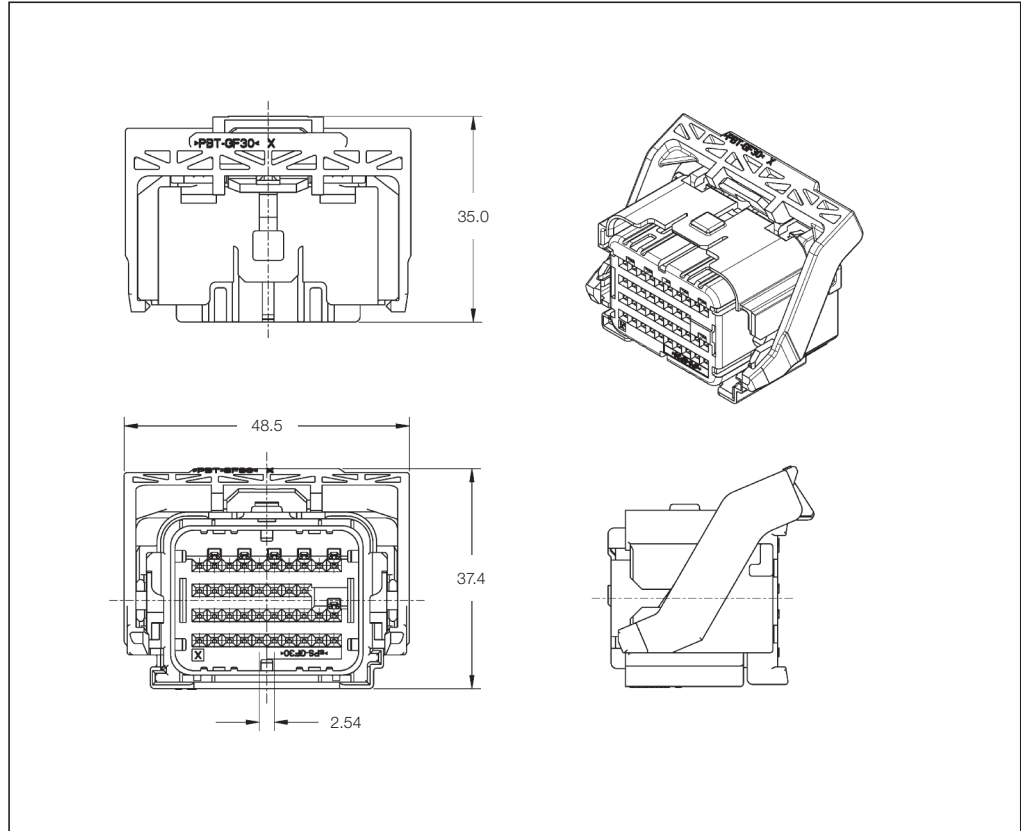
Product Specifications:

114-13150

114-13060

Application Specification:

408-8598



Sealed Receptacle Housings 4-Rows with Low Profile Lever

| No. of Positions | Keying Options | Housing Color | Part Numbers | | | | | | |
|------------------|----------------|----------------------|--------------------|-------|----------------|-----------------|--------------------|-------------------------------|----------------------------|
| | | | Receptacle Housing | Cover | Locking Device | Cover and Lever | Mating Pin Housing | Mating PCB Header Right-Angle | Mating PCB Header Vertical |
| 38 | G | see Customer Drawing | 1438397-1 / -9 | - | - | - | - | 8-1419157-9 | - |
| | | | 1-1438397-0 / -3 | | | | | | |
| | H | see Customer Drawing | 1438982-1 / -9 | | | | | | |
| | | | 1-1438982-0 / -9 | - | - | - | - | 1438322-3 | - |
| | | | 2-1438982-0 / -2 | | | | | | |

Sealed Receptacle Housings 4-Rows

Technical Features

No. of Positions:

40 Position Assy
without Shorting Bars
with Lever

Housing Material:

PA66 GF35

Wire Size Range:

0.22–0.75 mm²

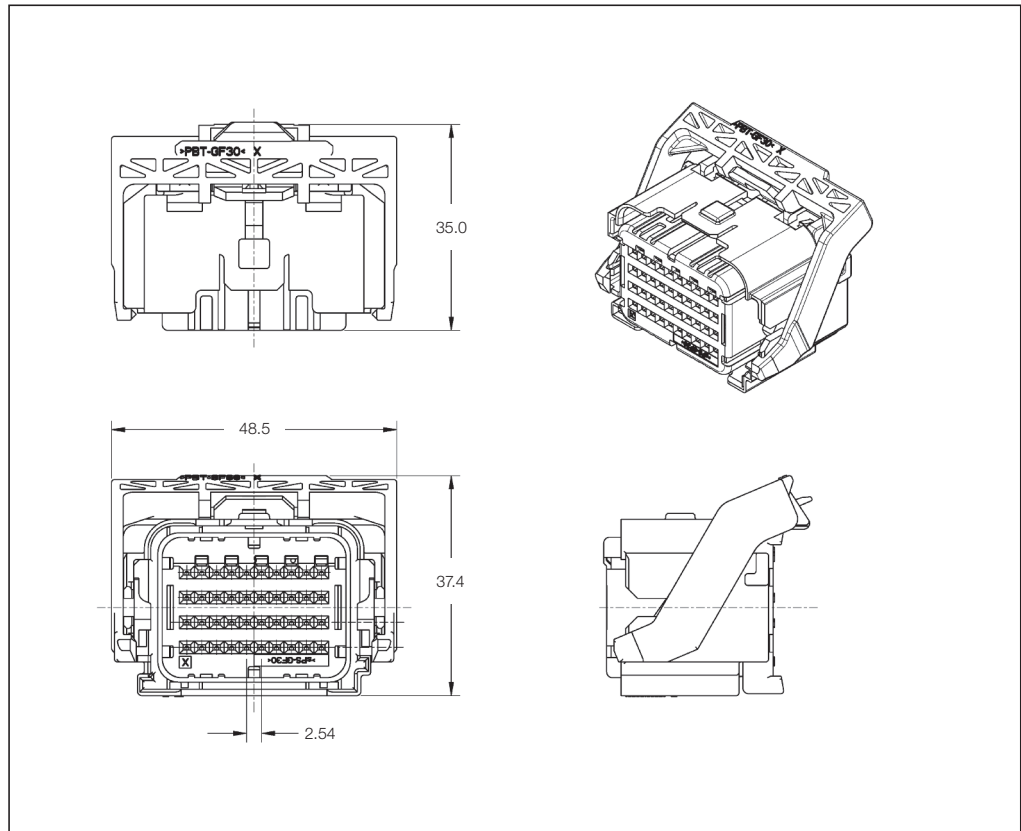
Product Specifications:

114-13150

114-13060

Application Specification:

408-8598



Sealed Receptacle Housings 4-Row with Standard Lever

| No. of Positions | Keying Options | Housing Color | Part Numbers | | | | | | |
|------------------|----------------|----------------------|--------------------|-------|----------------|-----------------|--------------------|-------------------------------|----------------------------|
| | | | Receptacle Housing | Cover | Locking Device | Cover and Lever | Mating Pin Housing | Mating PCB Header Right-Angle | Mating PCB Header Vertical |
| 40 | G | Black | 1438617-1 | - | - | - | - | - | - |
| | | | 1438098-1 / -9 | | | | | | |
| | H | see Customer Drawing | 1-1438098-0 / -9 | - | - | - | - | 1456777-2 | - |
| | | | 2-1438098-0 / -5 | | | | | | |
| | J | see Customer Drawing | 1438099-1 / -9 | | | | | | |
| | | | 1-1438099-0 / -9 | | | | | | |
| | | | 2-1438099-0 / -9 | - | - | - | - | 1456777-1 | - |
| | | | 3-1438099-0 | | | | | | |
| | K | Black | 1438679-1 | - | - | - | - | - | - |
| | | | 3-1438099-1 | | | | | | |
| | L | see Customer Drawing | 1438435-1 / -9 | - | - | - | - | - | - |

Sealed Receptacle Housings 4-Rows

Technical Features

No. of Positions:

40 Position Assy
without Shorting Bars
with Lever

Housing Material:

PA66 GF35

Wire Size Range:

0.22–0.75 mm²

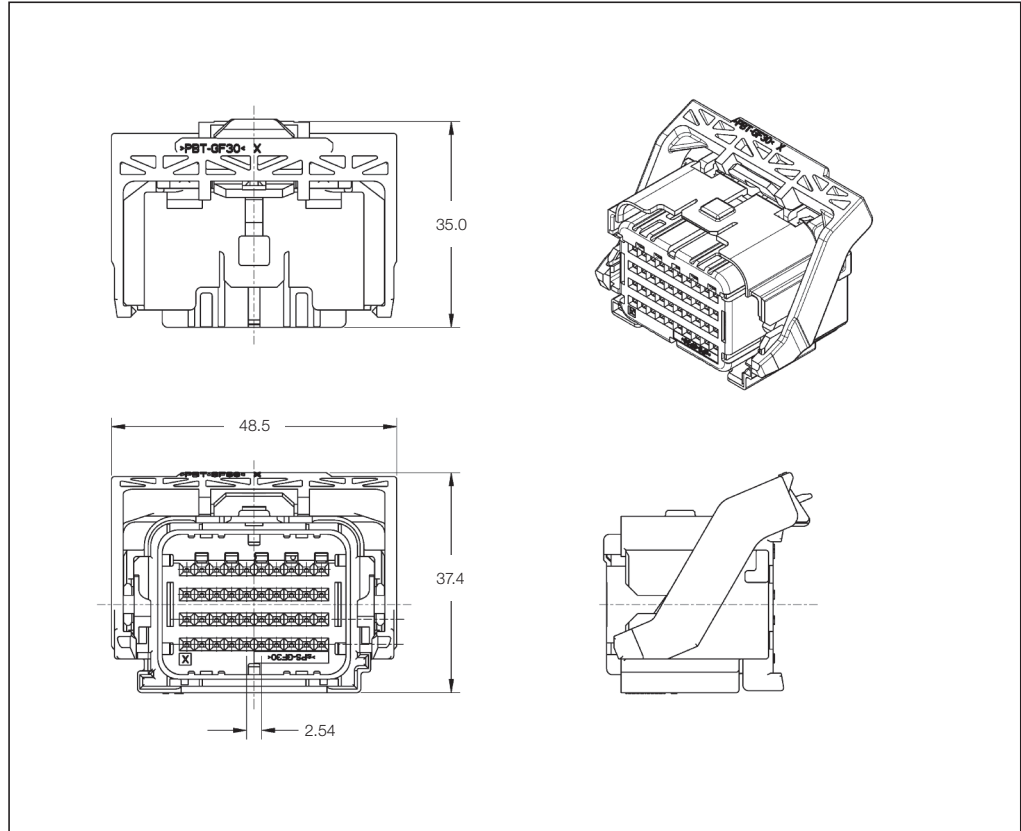
Product Specifications:

114-13150

114-13060

Application Specification:

408-8598



Sealed Receptacle Housings 4-Row with Low Profile Lever

| No. of Positions | Keying Options | Housing Color | Part Numbers | | | | | | |
|------------------|----------------|----------------------|--------------------|-------|----------------|-----------------|--------------------|-------------------------------|----------------------------|
| | | | Receptacle Housing | Cover | Locking Device | Cover and Lever | Mating Pin Housing | Mating PCB Header Right-Angle | Mating PCB Header Vertical |
| 40 | H | see Customer Drawing | 2098034-1 | – | – | – | – | 1456777-2 | – |
| | | | 1924513-1 / -9 | | | | | | |
| | J | see Customer Drawing | 1-1924513-0 / -9 | – | – | – | – | 1456777-1 | – |
| | | | 2-1924513-0 / -9 | | | | | | |
| | | | 3-1924513-0 / -5 | | | | | | |

Sealed Receptacle Housings – Multiple Rows

Technical Features

No. of Positions:

46 Position Assy
38 x GET.64 Terminal
8 x 1.5 mm Terminal
with Lever

Housing Material:

PA66 GF35

Wire Size Range:

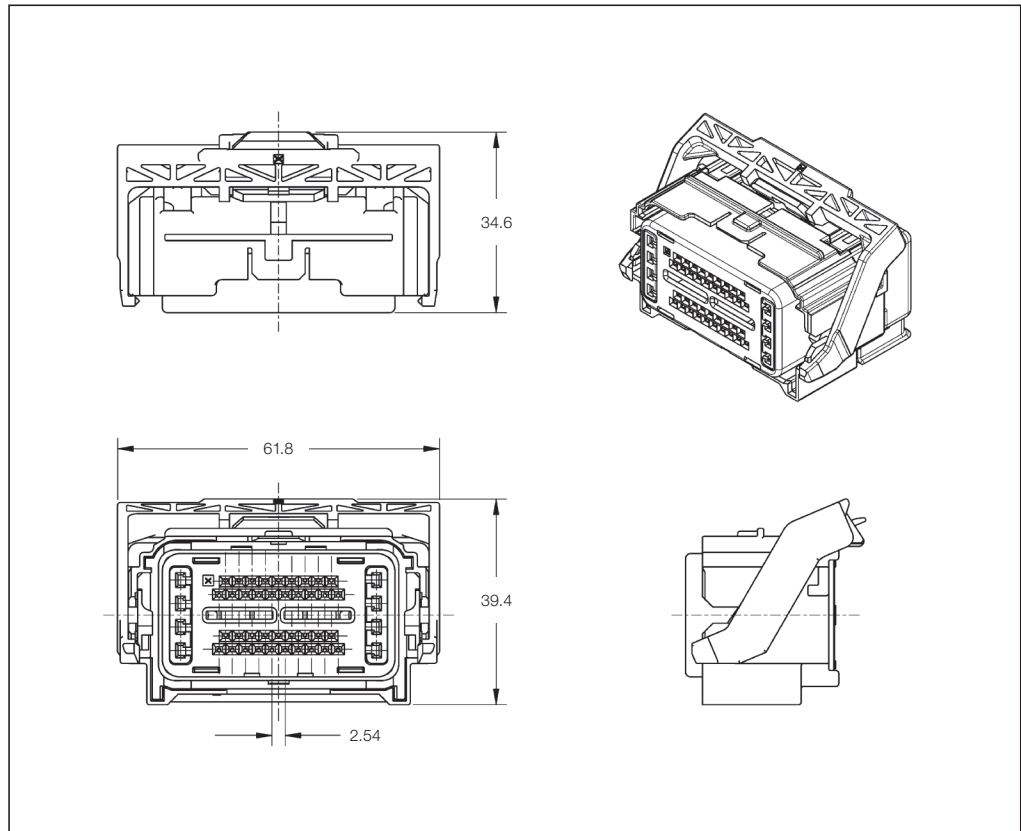
0.22–0.75 mm²

Product Specifications:

114-13150
114-13060

Application Specification:

408-8598



Sealed Receptacle Housings – Multiple Rows

| No. of Positions | Keying Options | Housing Color | Part Numbers | | | | | | |
|------------------|----------------|---------------|--------------------|-------|----------------|-----------------|--------------------|-------------------------------|----------------------------|
| | | | Receptacle Housing | Cover | Locking Device | Cover and Lever | Mating Pin Housing | Mating PCB Header Right-Angle | Mating PCB Header Vertical |
| 46 | A | Black | 1438082-1 | – | – | – | – | – | 1438086-1 |
| | B | Black | 1438082-2 | – | – | – | – | – | 1438088-1 1438087-2 |

Sealed Receptacle Housings – Multiple Rows

Technical Features

No. of Positions:

50 Position Assy
46 x GET.64 Terminal
4 x 1.5 mm Terminal
with Lever

Housing Material:

PA66 GF35

Wire Size Range:

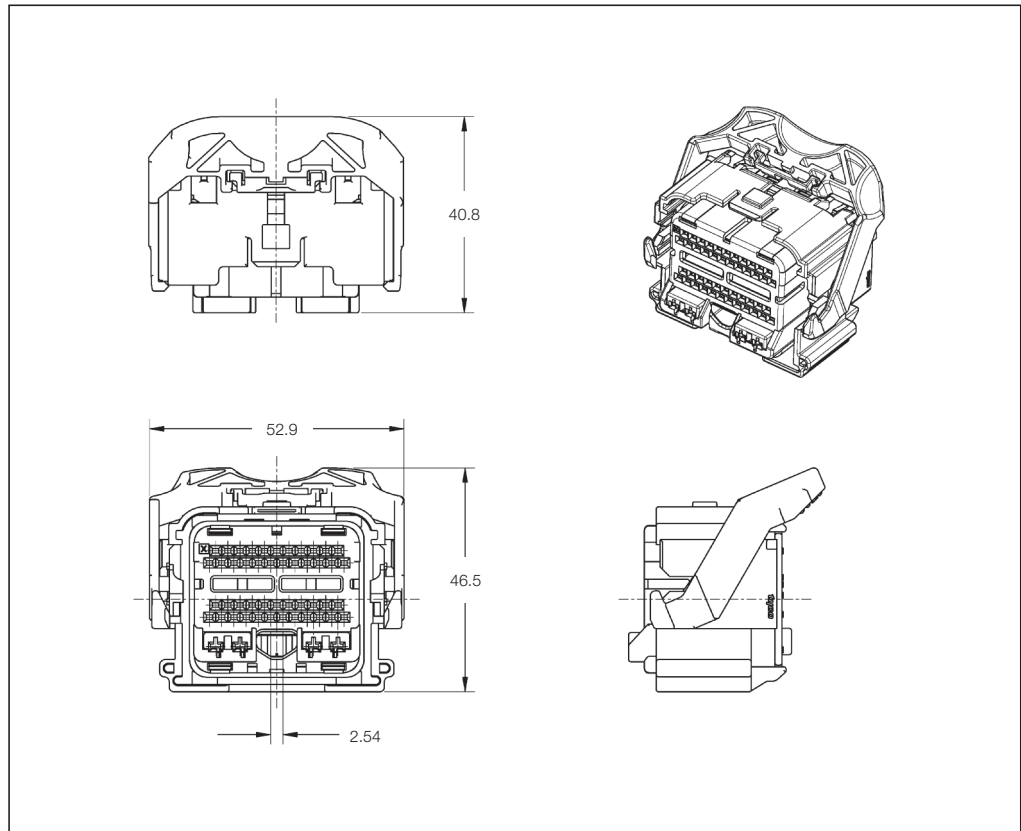
0.22–0.75 mm²

Product Specification:

114-13060

Application Specification:

408-8598



Sealed Receptacle Housings – Multiple Rows

| No. of Positions | Keying Options | Housing Color | Part Numbers | | | | | | |
|------------------|----------------|---------------|--------------------|-------|----------------|-----------------|--------------------|-------------------------------|----------------------------|
| | | | Receptacle Housing | Cover | Locking Device | Cover and Lever | Mating Pin Housing | Mating PCB Header Right-Angle | Mating PCB Header Vertical |
| 50 | A | Black | 1438129-1 | – | – | – | – | 1438139-1 | – |
| | B | Black | 1438129-2 | – | – | – | – | – | 1438063-1 |
| | C | Black | 1438129-3 | – | – | – | – | – | – |

Sealed Receptacle Housings – Multiple Rows

Technical Features

No. of Positions:

60 Position Assy
with Lever

Housing Material:

PBT GF30

Wire Size Range:

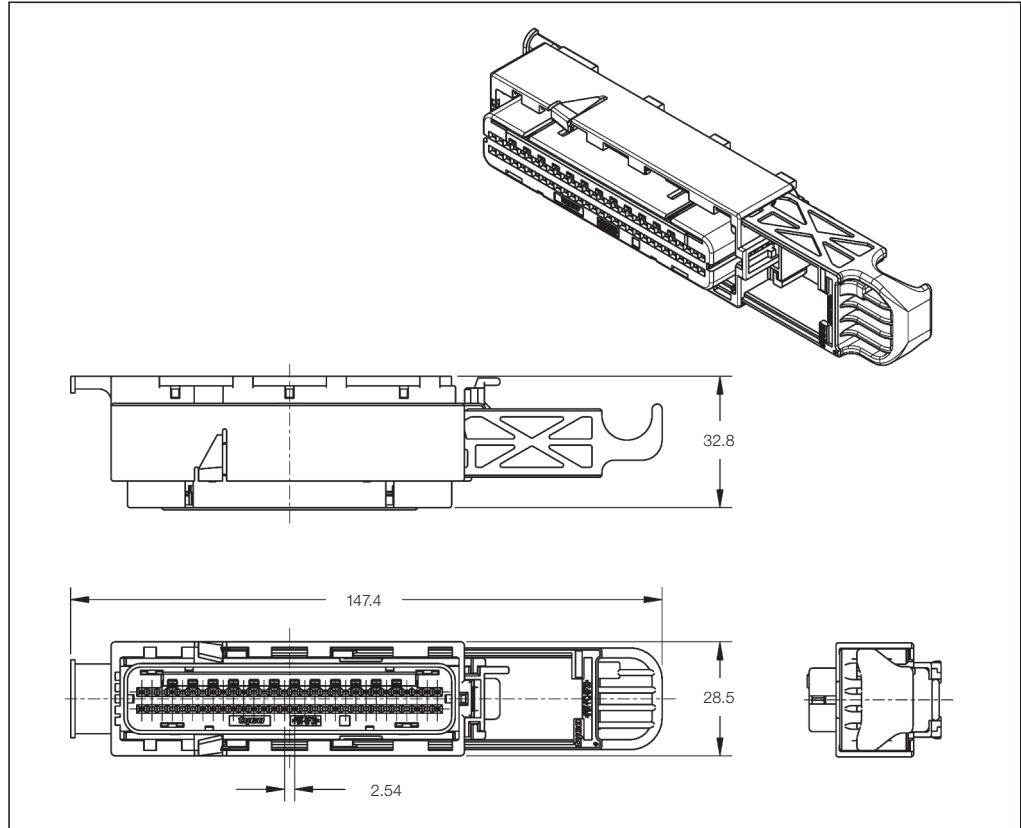
0.22–0.75 mm²

Product Specification:

114-13060

Application Specification:

408-8794



Sealed Receptacle Housings – Multiple Rows with Shorting Bars

| No. of Positions | Keying Options | Housing Color | Part Numbers | | | | | | |
|------------------|----------------|---------------|--------------------|-------|----------------|-----------------|--------------------|-------------------------------|----------------------------|
| | | | Receptacle Housing | Cover | Locking Device | Cover and Lever | Mating Pin Housing | Mating PCB Header Right-Angle | Mating PCB Header Vertical |
| 60 | Key 1 | Yellow | 638595-1 | - | - | - | - | 638623-1 | - |
| | Key 2 | Yellow | 638595-2 | - | - | - | - | 638623-2 | - |
| | Key 3 | Yellow | 638595-3 | - | - | - | - | 638623-3 | - |
| | Key 4 | Yellow | 638595-4 | - | - | - | - | 638623-4 | - |
| | Key 5 | Yellow | 638595-5 | - | - | - | - | 638623-5 | - |

Sealed Receptacle Housings – Multiple Rows without Shorting Bars

| No. of Positions | Keying Options | Housing Color | Part Numbers | | | | | | |
|------------------|----------------|---------------|--------------------|-------|----------------|-----------------|--------------------|-------------------------------|----------------------------|
| | | | Receptacle Housing | Cover | Locking Device | Cover and Lever | Mating Pin Housing | Mating PCB Header Right-Angle | Mating PCB Header Vertical |
| 60 | Key 1 | Black | 1438521-1 | - | - | - | - | - | - |

Sealed Receptacle Housings – Multiple Rows

Technical Features

No. of Positions:

70 Position Assy
66 x GET.64 Terminal
4 x 1.5 mm Terminal
with Lever

Housing Material:

PA66 GF35

Wire Size Range:

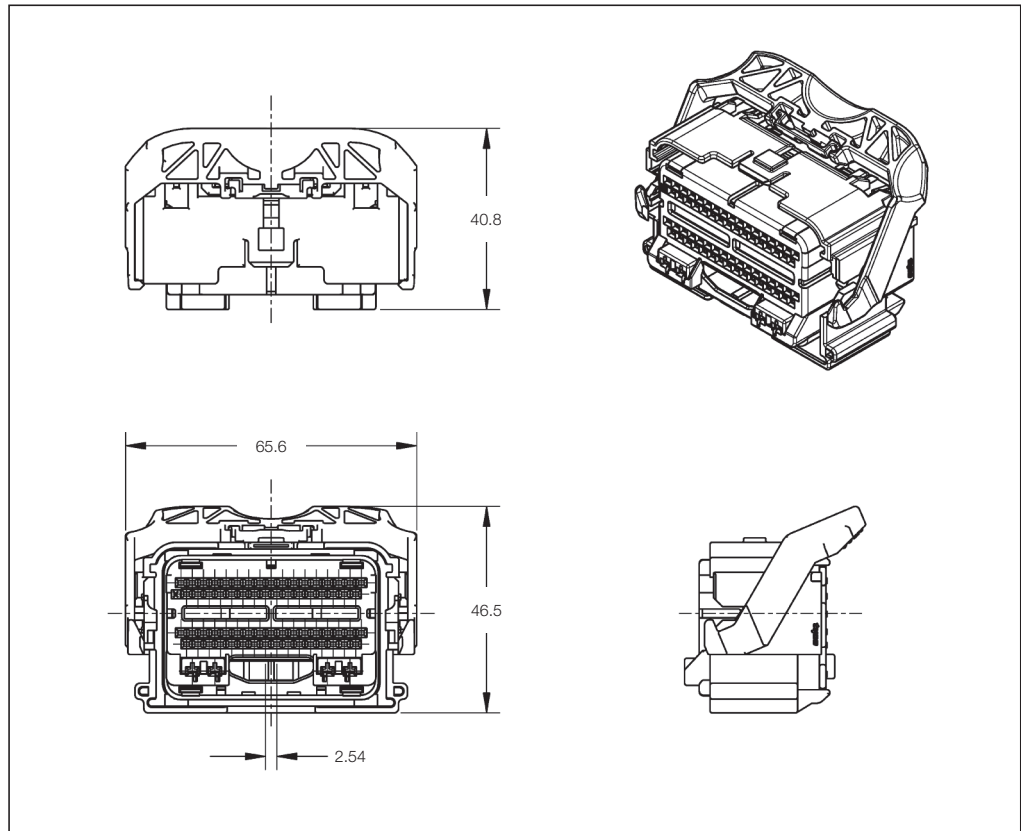
0.22–0.75 mm²

Product Specification:

114-13060

Application Specification:

408-8893



Sealed Receptacle Housings – Multiple Rows

| No. of Positions | Keying Options | Housing Color | Part Numbers | | | | | | |
|------------------|----------------|---------------|--------------------|-------|----------------|-----------------|--------------------|-------------------------------|----------------------------|
| | | | Receptacle Housing | Cover | Locking Device | Cover and Lever | Mating Pin Housing | Mating PCB Header Right-Angle | Mating PCB Header Vertical |
| 70 | A | Black | 1438136-1 | – | – | – | 1438726-1 | – | 1438063-1 |
| | B | Black | 1438136-2 | – | – | – | – | – | 1438698-1 |
| | C | Black | 1438136-3 | – | – | – | – | – | – |
| | D | Black | 1438136-4 | – | – | – | – | – | – |

Sealed Printed Circuit Board Headers

Technical Features

No. of Positions:

58 Position Right-Angle
with Shorting Bar Ramps
(2 Pocket 20 + 38)

64 Position Right-Angle
(2 Pocket 24 + 40)

Housing Material:

PBT GF30

Material and Finish:

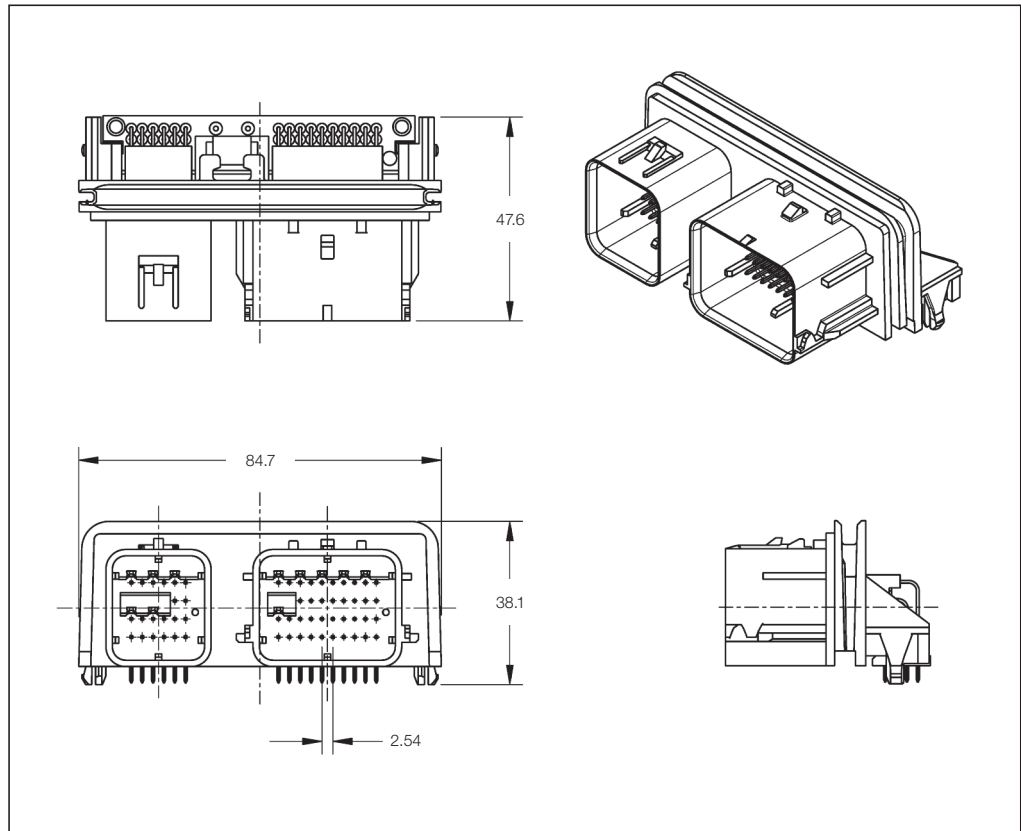
CuMg Pins with tin/gold finish

Product Specification:

—

Application Specification:

—



Sealed Printed Circuit Board Headers

| No. of Positions | Keying Options | Housing Color | Part Numbers | | | | | Mating Receptacle Housing |
|------------------|----------------|---------------|------------------------|---------------------|-------|-----------------|------------------|---|
| | | | PCB Header Right-Angle | PCB Header Vertical | Cover | Cover and Lever | Retainer Housing | |
| | | | | | | | | 1924672-1 / -9 & 1-1924672-0 / -9 2-1924672-0 / -7 & 2-1924672-9 3-1924672-2 / -7 |
| | A | Black | 8-1419157-9 | - | - | - | - | 1924670-1 / -9 & 1-1924670-0 / -9 2-1924670-0 / -9 & 3-1924670-0 / -9 4-1924670-0 / -9 & 5-1924670-0 / -9 6-1924670-0 / -6 |
| | | | | | | | | 7-1419157-9 & 8-1419157-0 / -6 1438090-1 / -9 & 1-1438090-0 / -9 2-1438090-0 / -9 & 3-1438090-0 / -9 4-1438090-0 / -9 & 5-1438090-0 / -9 6-1438090-0 / -9 & 7-1438090-0 / -9 8-1438090-0 / -9 & 9-1438090-0 / -9 |
| 58 | G | Black | 8-1419157-9 | - | - | - | - | 1456897-1 / -9 1438397-1 / -9 & 1-1438397-0 / -3 2-1924672-8 & 3-1924672-0 1924671-1 / -8 |
| | B | Black | 1438322-3 | - | - | - | - | 1438982-1 / -9 & 1-1438982-0 / -9 2-1438982-0 / -2 |
| | H | Black | 1438322-3 | - | - | - | - | 1438484-1 |

Sealed Printed Circuit Board Headers (continued)

Sealed Printed Circuit Board Headers

| No. of Positions | Keying Options | Housing Color | Part Numbers | | | | | Mating Receptacle Housing |
|------------------|----------------|---------------|------------------------|---------------------|-------|-----------------|-------------------------------------|-------------------------------------|
| | | | PCB Header Right-Angle | PCB Header Vertical | Cover | Cover and Lever | Retainer Housing | |
| 58 | C + H | Black | 1438522-5 | - | - | - | - | 1924680-1 |
| | | | | | | | | 1438484-1 |
| | | | | | | | | 1438982-1 / -9 & 1-1438982-0 / -9 |
| | | | | | | | | 2-1438982-0 / -2 |
| | | | | | | | | 1924681-1 |
| | D + G | Black | 1438522-8 | - | - | - | - | 7-1419157-9 & 8-1419157-0 / -6 |
| | | | | | | | | 1438090-1 / -9 & 1-1438090-0 / -9 |
| | | | | | | | | 2-1438090-0 / -9 & 3-1438090-0 / -9 |
| | | | | | | | | 4-1438090-0 / -9 & 5-1438090-0 / -9 |
| | | | | | | | | 6-1438090-0 / -9 & 7-1438090-0 / -9 |
| D + J | Black | 1438522-6 | - | - | - | - | 8-1438090-0 / -9 & 9-1438090-0 / -9 | |
| | | | | | | | 1456897-1 / -9 | |
| | | | | | | | 1438397-1 / -9 & 1-1438397-0 / -3 | |
| | | | | | | | 1924681-1 | |
| | | | | | | | 1438485-1 | |
| D + K | Black | 1438522-7 | - | - | - | - | 1924681-1 | |
| | | | | | | | 1438486-1 | |
| | | | | | | | 3-1417171-9 & 7-1419157-9 | |
| | | | | | | | 1438103-1 / -9 & 1-1438103-0 / -7 | |
| | | | | | | | 1924674-1 / -9 & 1-1924674-0 / -2 | |
| 64 | A + H | Black | 1456777-2 | - | - | - | - | 1924675-1 / -9 & 1-1924675-0 / -4 |
| | | | | | | | | 1438098-1 / -9 & 1-1438098-0 / -9 |
| | | | | | | | | 2-1438098-0 / -5 |
| | | | | | | | | 2098034-1 |
| | | | | | | | | 3-1417171-9 & 7-1419157-9 |
| | A + J | Black | 1456777-1 | - | - | - | - | 1438103-1 / -9 & 1-1438103-0 / -7 |
| | | | | | | | | 1924674-1 / -9 & 1-1924674-0 / -2 |
| | | | | | | | | 1924675-1 / -9 & 1-1924675-0 / -4 |
| | | | | | | | | 1924513-1 / -9 & 1-1924513-0 / -9 |
| | | | | | | | | 2-1924513-0 / -9 & 3-1924513-0 / -5 |

Sealed Printed Circuit Board Headers

Technical Features

No. of Positions:

92 Position Vertical Assy
3 Pocket (_ + 46 + 46)
122 Position Vertical Assy
3 Pocket (30 + 46 + 46)

Housing Material:

PBT GF30

Material and Finish:

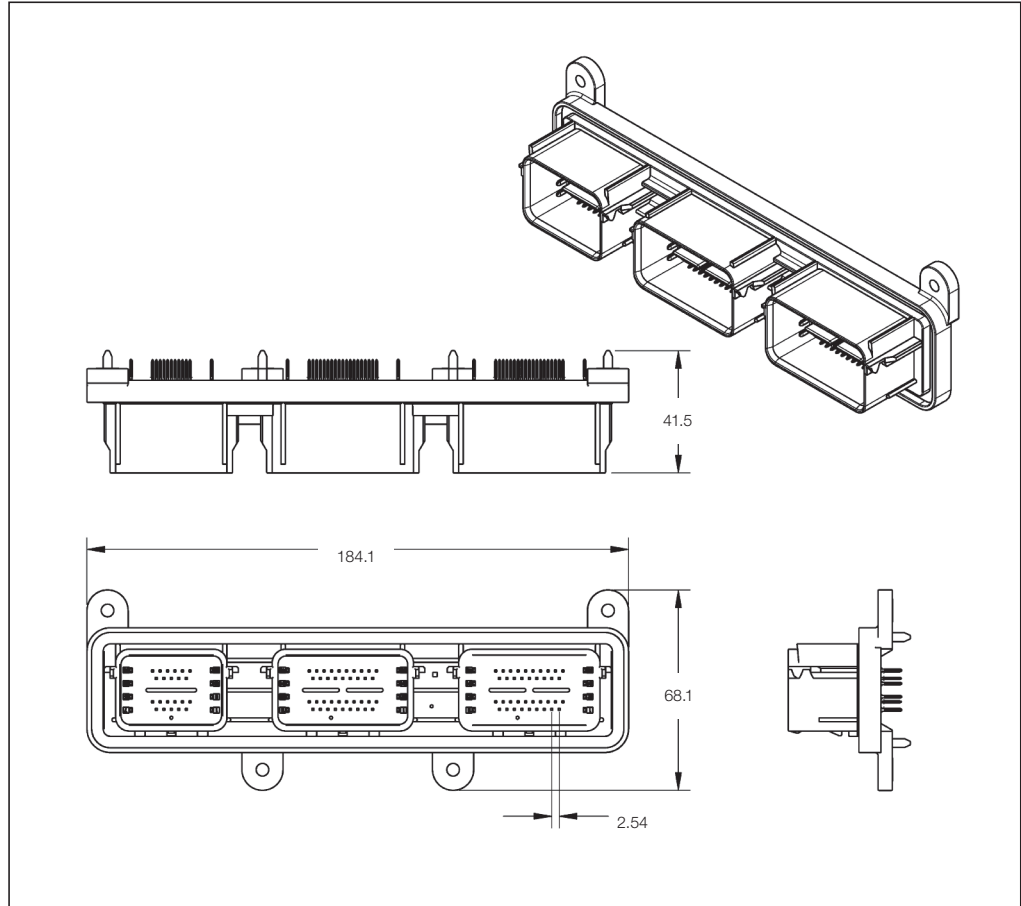
Brass Pins with tin/gold finish

Product Specification:

—

Application Specification:

—



Sealed Printed Circuit Board Headers

| No. of Positions | Keying Options | Housing Color | Part Numbers | | | | | |
|------------------|----------------|---------------|---------------------------|------------------------|-------|--------------------|---------------------|------------------------------|
| | | | PCB Header Right-Angle | PCB Header Vertical | Cover | Cover and Lever | Retainer Housing | Mating Receptacle Housing |
| 92 | _ + A + B | Gray | - | 1438088-2 | - | - | - | 1438082-1 |
| | | | | | | | | 1438082-2 |
| 122 | A + A + B | Black | - | 1438087-2 | - | - | - | 1438083-1 |
| | | | | | | | | 1438082-2 |

Note: All Part Numbers are RoHS and ELV compliant.

Sealed Printed Circuit Board Headers

Technical Features

No. of Positions:

150 Position Vertical Assy
3 Pocket (50 + 50 + 50)

Housing Material:

PBT GF30

Material and Finish:

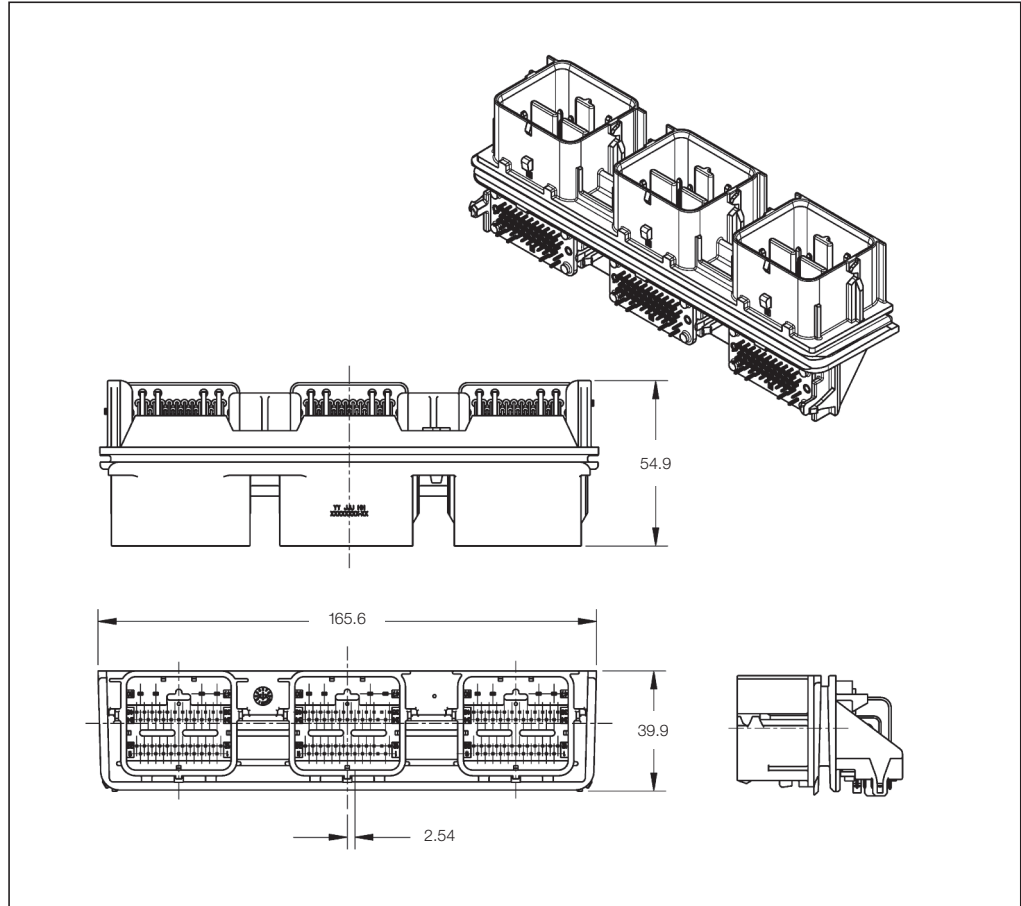
Brass Pins with tin/gold finish

Product Specification:

—

Application Specification:

—



Sealed Printed Circuit Board Headers

| No. of Positions | Keying Options | Housing Color | Part Numbers | | | | | Mating Receptacle Housing |
|------------------|----------------|---------------|------------------------|---------------------|-------|-----------------|------------------|-------------------------------------|
| | | | PCB Header Right-Angle | PCB Header Vertical | Cover | Cover and Lever | Retainer Housing | |
| 150 | A + B + C | Black | — | 1438139-1 | — | — | — | 1438129-1 1438129-2 1438129-3 |

Note: All Part Numbers are RoHS and ELV compliant.

Sealed Printed Circuit Board Headers

Technical Features

No. of Positions:

190 Position Vertical Assy
3 Pocket (70 + 70 + 50)

Housing Material:

PPA GF33

Material and Finish:

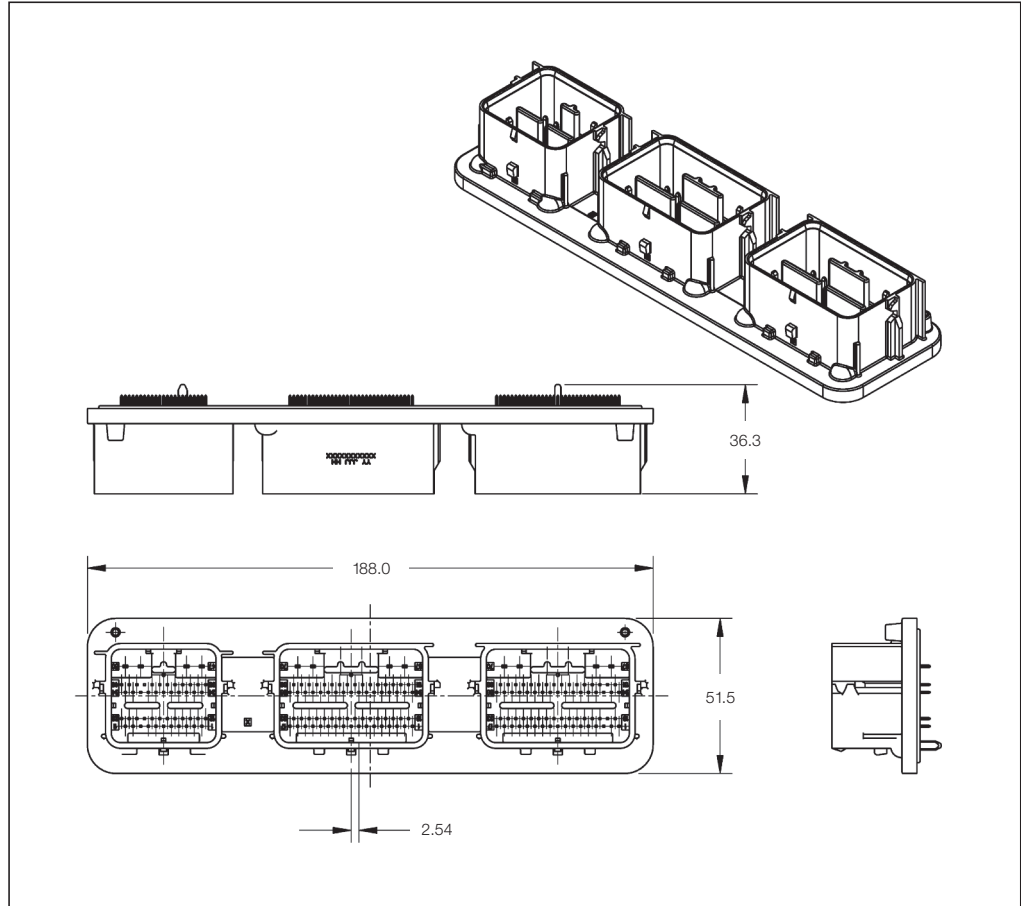
Brass Pins with tin/gold finish

Product Specification:

—

Application Specification:

—



Sealed Printed Circuit Board Headers

| No. of Positions | Keying Options | Housing Color | Part Numbers | | | | | Mating Receptacle Housing |
|------------------|----------------|---------------|------------------------|---------------------|-------|-----------------|------------------|-------------------------------------|
| | | | PCB Header Right-Angle | PCB Header Vertical | Cover | Cover and Lever | Retainer Housing | |
| 190 | B + A + C | Black | — | 1438063-1 | — | — | — | 1438136-1 1438136-2 1438129-1 |

Note: All Part Numbers are RoHS and ELV compliant.