



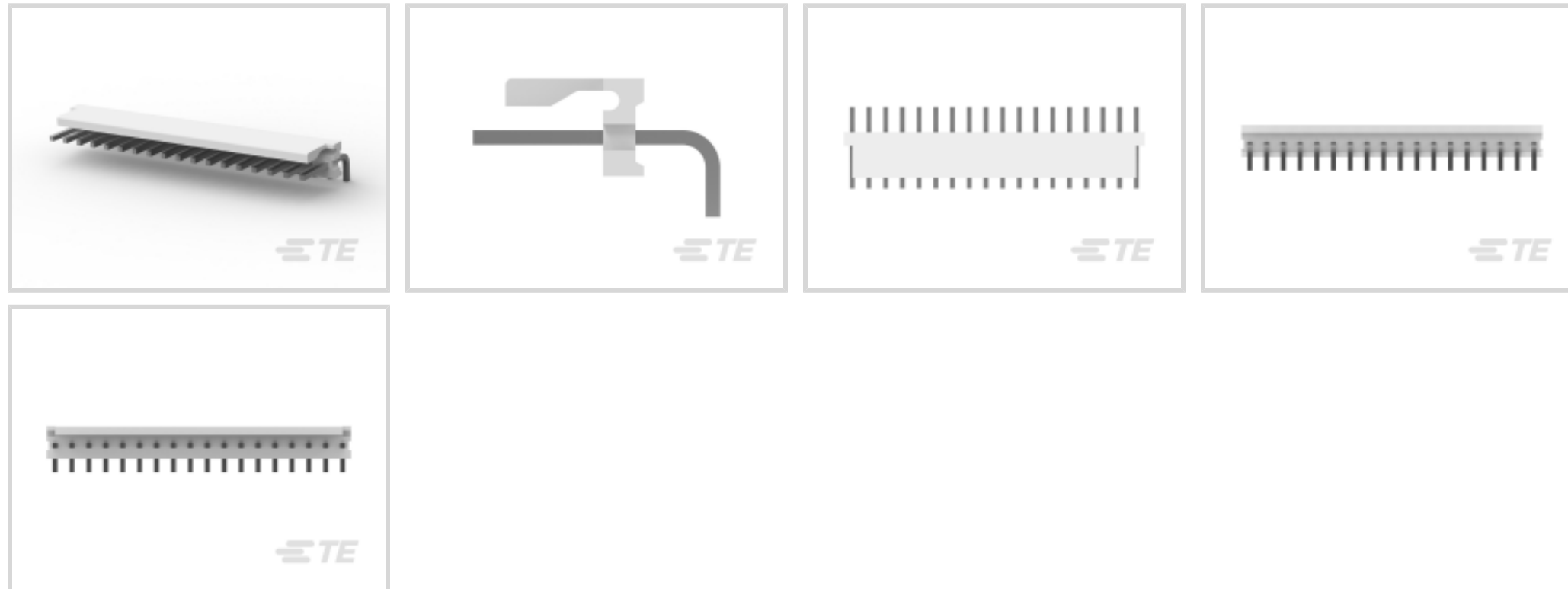
**MTA 156**

TE Internal #: 1-640389-8

PCB Mount Header, Right Angle, Wire-to-Board, 18 Position, 3.96 mm [.156 in] Centerline, Partially Shrouded, Tin (Sn), Through Hole - Solder, MTA 156

[View on TE.com >](#)

Connectors > PCB Connectors > PCB Headers & Receptacles



PCB Connector Type: **PCB Mount Header**

PCB Mount Orientation: **Right Angle**

Connector System: **Wire-to-Board**

Number of Positions: **18**

Centerline (Pitch): **3.96 mm [.156 in]**

**Features**

**Product Type Features**

PCB Connector Type	PCB Mount Header
Connector System	Wire-to-Board
Header Type	Partially Shrouded
Sealable	No
Connector & Contact Terminates To	Printed Circuit Board
Connector Product Type	Connector Assembly

**Configuration Features**

Number of Columns	18
PCB Mount Orientation	Right Angle
Number of Positions	18
Number of Rows	1

**Electrical Characteristics**

Operating Voltage	600 VAC
-------------------	---------

**Body Features**



Primary Product Color	Natural
-----------------------	---------

### Contact Features

Contact Underplating Material	Nickel
Contact Underplating Material Thickness	1.27 $\mu\text{m}$ [50 $\mu\text{in}$ ]
PCB Contact Termination Area Plating Material Finish	Matte
Mating Square Post Dimension	1.14 mm[.045 in]
Contact Shape & Form	Square
PCB Contact Termination Area Plating Material Thickness	2.54 $\mu\text{m}$ [100 $\mu\text{in}$ ]
Contact Layout	Inline
Contact Mating Area Length	10.16 mm[.4 in]
Contact Base Material	Copper Alloy
Contact Mating Area Plating Material	Tin (Sn)
Contact Mating Area Plating Material Finish	Matte
Contact Mating Area Plating Material Thickness	2.54 $\mu\text{m}$ [100 $\mu\text{in}$ ]
Contact Type	Pin
Contact Current Rating (Max)	7 A
PCB Contact Termination Area Plating Material	Tin

### Termination Features

Termination Post & Tail Length	3.18 mm[.125 in]
Square Termination Post & Tail Dimension	1.14 mm[.045 in]
Termination Method to PCB	Through Hole - Solder

### Mechanical Attachment

Panel Mount Feature	Without
Mating Retention Type	Friction Lock
Mating Alignment Type	Polarization
PCB Mount Alignment	Without
Mating Retention	With
PCB Mount Retention	Without
Connector Mounting Type	Board Mount
Mating Alignment	With

### Housing Features

Right Angle Bending Side	Front
--------------------------	-------



Centerline (Pitch)	3.96 mm [.156 in]
--------------------	-------------------

Housing Material	Polyester
------------------	-----------

### Dimensions

Connector Width	19.28 mm [.759 in]
-----------------	--------------------

PCB Thickness (Recommended)	1.6 mm [.063 in]
-----------------------------	------------------

Connector Height	7.62 mm [.3 in]
------------------	-----------------

Connector Length	71.32 mm [2.808 in]
------------------	---------------------

### Usage Conditions

Operating Temperature Range	-55 – 105 °C [-67 – 221 °F]
-----------------------------	-----------------------------

### Operation/Application

Circuit Application	Power
---------------------	-------

### Industry Standards

Compatible With Agency/Standards Products	CSA, UL
-------------------------------------------	---------

Compatible With Approved Standards Products	CSA LR7189, UL E28476
---------------------------------------------	-----------------------

UL Flammability Rating	UL 94V-0
------------------------	----------

### Packaging Features

Packaging Quantity	250
--------------------	-----

Packaging Method	Package
------------------	---------

### Product Compliance

[For compliance documentation, visit the product page on TE.com>](#)

EU RoHS Directive 2011/65/EU	Compliant
------------------------------	-----------

EU ELV Directive 2000/53/EC	Compliant
-----------------------------	-----------

China RoHS 2 Directive MIIT Order No 32, 2016	No Restricted Materials Above Threshold
-----------------------------------------------	-----------------------------------------

EU REACH Regulation (EC) No. 1907/2006	Current ECHA Candidate List: JUNE 2025 (250) Candidate List Declared Against: JUNE 2025 (250) Does not contain REACH SVHC
----------------------------------------	---------------------------------------------------------------------------------------------------------------------------------

Halogen Content	Not Low Halogen - contains Br or Cl > 900 ppm.
-----------------	------------------------------------------------

Solder Process Capability	Wave solder capable to 265°C
---------------------------	------------------------------

Product Compliance Disclaimer

This information is provided based on reasonable inquiry of our suppliers and represents our current actual knowledge based on the information they provided. This information is subject to change. The part numbers that TE has identified as EU RoHS compliant have a maximum concentration of 0.1% by weight in homogenous materials for lead, hexavalent chromium, mercury, PBB, PBDE, DBP, BBP, DEHP, DIBP, and 0.01% for cadmium, or qualify for an exemption to these limits as defined in the Annexes of Directive 2011/65/EU (RoHS2). Finished electrical and electronic equipment products will be CE marked as required by Directive 2011/65/EU. Components may not be CE marked. Additionally, the part numbers that TE has identified as EU ELV compliant have a maximum concentration of 0.1% by weight in homogenous materials for lead, hexavalent chromium, and mercury, and 0.01% for cadmium, or qualify for an exemption to these limits as defined in the Annexes of Directive 2000/53/EC (ELV). Regarding the REACH Regulation, the information TE provides on SVHC in articles for this part number is based on the latest European Chemicals Agency (ECHA) 'Guidance on requirements for substances in articles' posted at this URL: <https://echa.europa.eu/guidance-documents/guidance-on-reach>

## Compatible Parts



TE Part # CAT-103156-WBHSM  
Receptacle Housing: Wire-to-Board, with Mating Alignment, SL156



TE Part # 4-643819-8  
18P MTA156 CONN ASSY 22AWG LF



TE Part # 4-640427-8  
18P MTA156 CONN ASSY 20AWG YEL



TE Part # 4-640599-8  
18P MTA156 CONN ASSY 18AWG ORA



TE Part # 4-643817-8  
18P MTA156 CONN ASSY 18AWG LF



TE Part # 4-640426-8  
18P MTA156 CONN ASSY 18AWG ORA



TE Part # 1-640251-8  
18P SL156 HSG W/O LCK RAMP



TE Part # 1-643071-8  
18P MTA156 FD-THRU COVER



TE Part # 1-640551-8  
18P MTA156 COVER



TE Part # 1-643067-8  
18P MTA156 MOLDED COVER



TE Part # 4-640602-8  
18P MTA156 CONN ASSY 24AWG LF



TE Part # 4-640428-8  
18P MTA156 CONN ASSY 22AWG RED



TE Part # 4-640605-8  
18P MTA156 CONN ASSY 20AWG LF

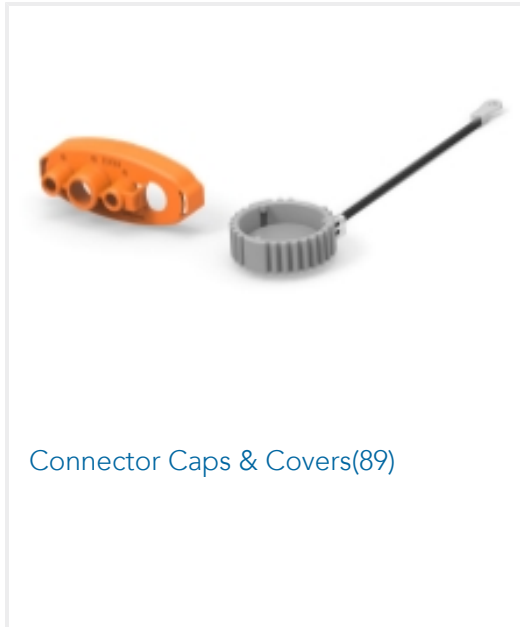


TE Part # 1-640643-8  
18P MTA156 COVER F/T

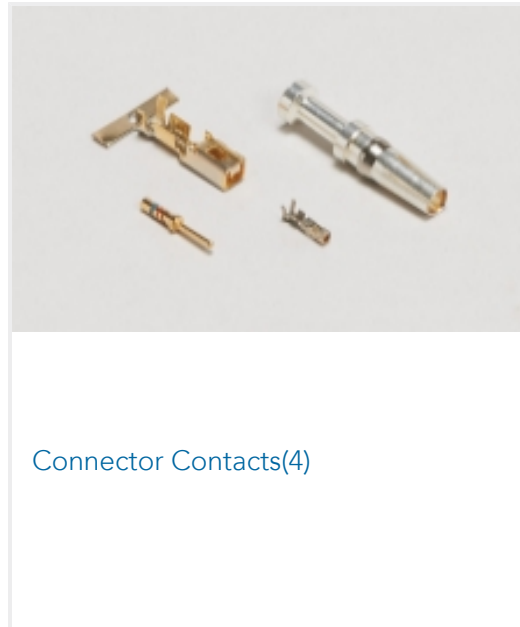


TE Part # 644960-1  
18P MTA156 HDR ASY WO4,8,12,16

## Also in the Series | MTA 156



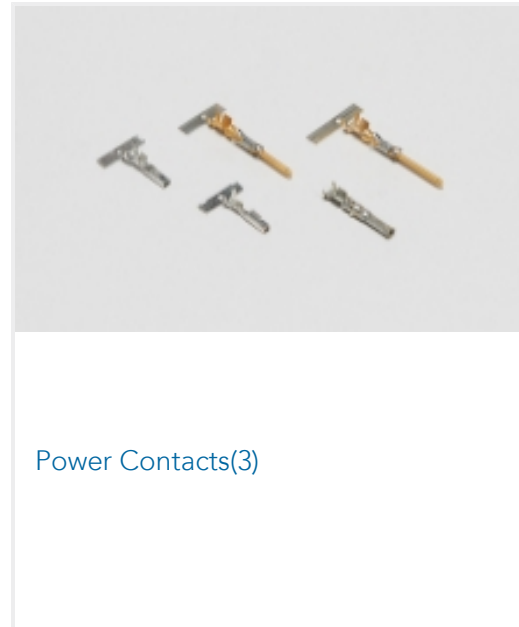
Connector Caps & Covers(89)



Connector Contacts(4)



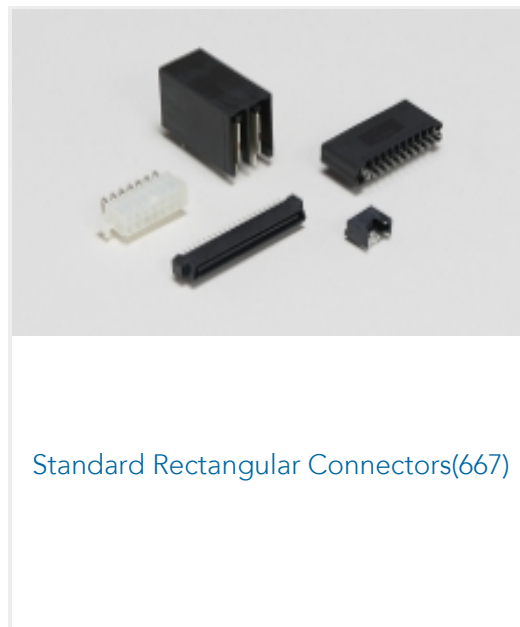
Connector Hardware(2)



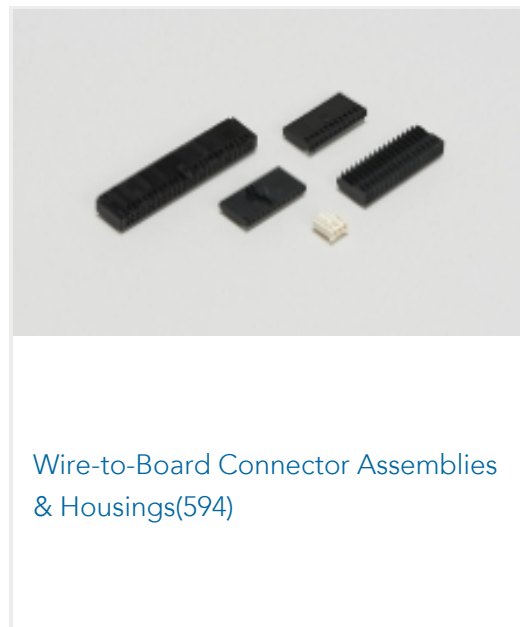
Power Contacts(3)



Rectangular Power Connectors(1178)



Standard Rectangular Connectors(667)

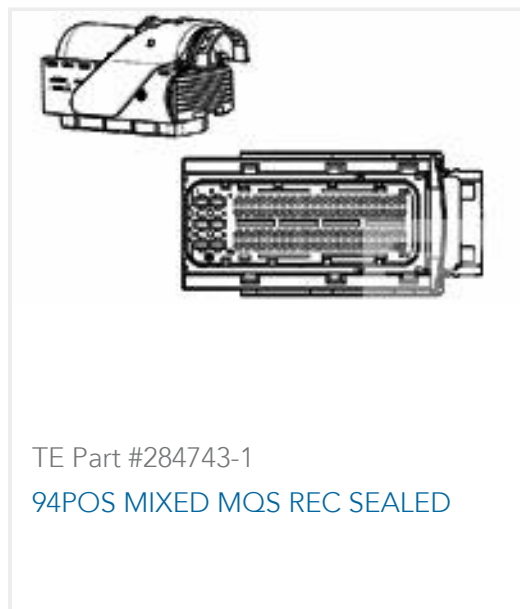


Wire-to-Board Connector Assemblies & Housings(594)

## Customers Also Bought



TE Part #W4S-P012  
WEDGE LOCK, 4P, PLG, GRN, SL RET, DT



TE Part #284743-1  
94POS MIXED MQS REC SEALED



TE Part #1-640250-2  
12P SL156 HSG W/LCK RAMP NATL



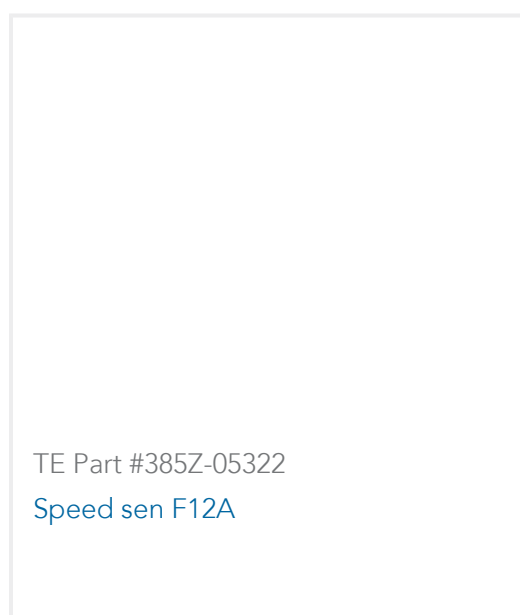
TE Part #3-640599-9  
09P MTA156 CONN ASSY 18AWG ORA



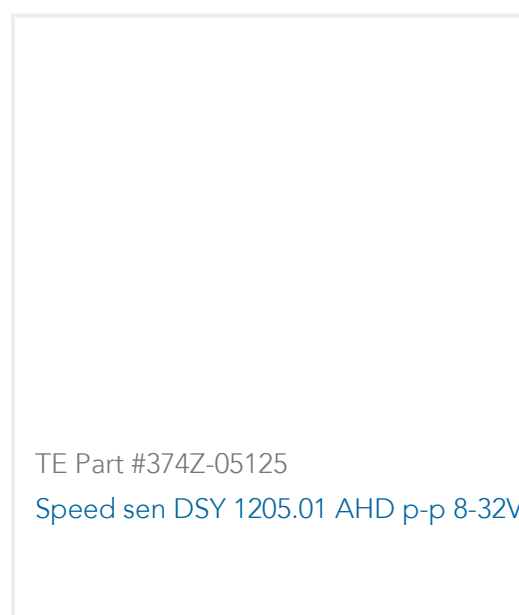
TE Part #4-640599-6  
16P MTA156 CONN ASSY 18AWG ORA



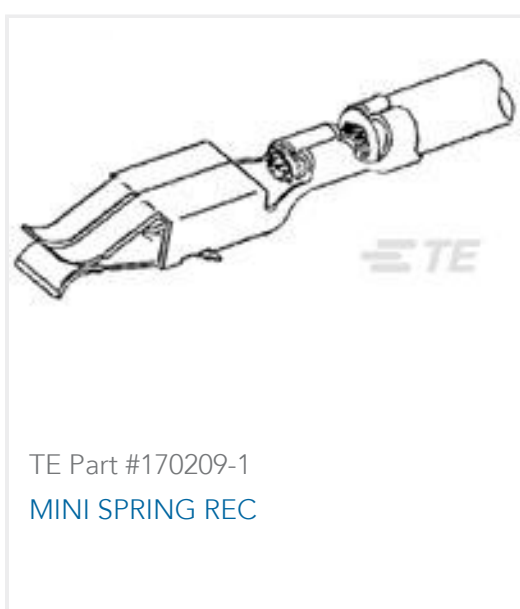
TE Part #1241396-1  
AMP MCP 2.8K, CONTACT, SWS



TE Part #385Z-05322  
Speed sen F12A



TE Part #374Z-05125  
Speed sen DSY 1205.01 AHD p-p 8-32V



TE Part #170209-1  
MINI SPRING REC



TE Part #1-1452721-1  
3MM TAB HEADER ASSY 180



## Documents

### Product Drawings

[18P MTA156 HDR ASSY SQ R/A F/L](#)

English

---

### CAD Files

Customer View Model

[ENG\\_CVM\\_CVM\\_1-640389-8\\_AG.2d\\_dxf.zip](#)

English

[3D PDF](#)

3D

Customer View Model

[ENG\\_CVM\\_CVM\\_1-640389-8\\_AG.3d\\_igs.zip](#)

English

Customer View Model

[ENG\\_CVM\\_CVM\\_1-640389-8\\_AG.3d\\_stp.zip](#)

English

By downloading the CAD file I accept and agree to the [Terms and Conditions](#) of use.

---

### Product Specifications

[Application Specification](#)

English

---

### Agency Approvals

[UL Report](#)

English