



Connectors > Connector Accessories > Connector Caps & Covers



Connector Cover Type: **Strain Relief Cover**

Primary Product Color: **White**

Primary Product Material: **Nylon**

Number of Positions: **10**

Operating Temperature (Max): **105 °C [ 221 °F ]**

## Features

### Product Type Features

Product Profile	Standard
Connector Cover Type	Strain Relief Cover

### Configuration Features

Number of Positions	10
---------------------	----

### Body Features

Primary Product Color	White
Primary Product Material	Nylon

### Mechanical Attachment

Strain Relief	With
---------------	------

### Housing Features

Centerline (Pitch)	3.96 mm [.156 in]
--------------------	-------------------

### Usage Conditions

Compatible With IDC Installation Type Connector	Closed End
Operating Temperature (Max)	105 °C [221 °F]



Operating Temperature Range	-55 – 105 °C[-67 – 221 °F]
-----------------------------	----------------------------

**Industry Standards**

UL Flammability Rating	UL 94V-2
------------------------	----------

**Product Compliance**

[For compliance documentation, visit the product page on TE.com>](#)

EU RoHS Directive 2011/65/EU	Compliant
EU ELV Directive 2000/53/EC	Compliant
China RoHS 2 Directive MIIT Order No 32, 2016	No Restricted Materials Above Threshold
EU REACH Regulation (EC) No. 1907/2006	Current ECHA Candidate List: JUNE 2025 (250) Candidate List Declared Against: JUNE 2025 (250) Does not contain REACH SVHC
Halogen Content	Low Halogen - Br, Cl, F < 900 ppm per homogenous material. Also BFR/CFR/PVC Free
Solder Process Capability	Not applicable for solder process capability

**Product Compliance Disclaimer**

This information is provided based on reasonable inquiry of our suppliers and represents our current actual knowledge based on the information they provided. This information is subject to change. The part numbers that TE has identified as EU RoHS compliant have a maximum concentration of 0.1% by weight in homogenous materials for lead, hexavalent chromium, mercury, PBB, PBDE, DBP, BBP, DEHP, DIBP, and 0.01% for cadmium, or qualify for an exemption to these limits as defined in the Annexes of Directive 2011/65/EU (RoHS2). Finished electrical and electronic equipment products will be CE marked as required by Directive 2011/65/EU. Components may not be CE marked. Additionally, the part numbers that TE has identified as EU ELV compliant have a maximum concentration of 0.1% by weight in homogenous materials for lead, hexavalent chromium, and mercury, and 0.01% for cadmium, or qualify for an exemption to these limits as defined in the Annexes of Directive 2000/53/EC (ELV). Regarding the REACH Regulation, the information TE provides on SVHC in articles for this part number is based on the latest European Chemicals Agency (ECHA) 'Guidance on requirements for substances in articles' posted at this URL: <https://echa.europa.eu/guidance-documents/guidance-on-reach>

**Compatible Parts**



TE Part # 4-641218-0  
10P MTA156 CONN ASSY 20AWG LF



TE Part # 4-644860-0  
10P MTA156 CONN ASSY 18AWG LF



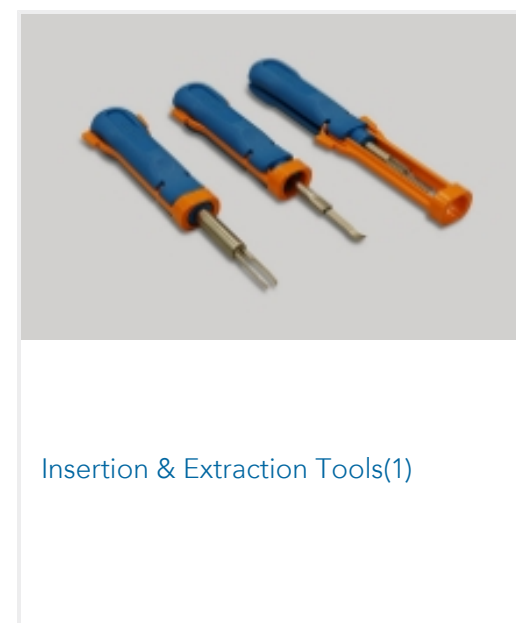
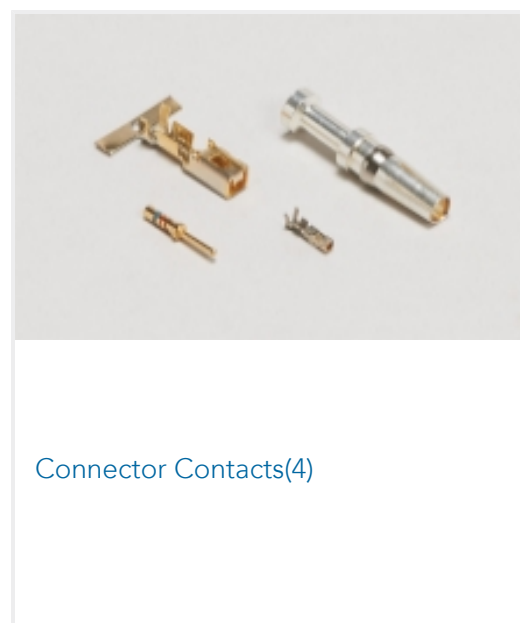
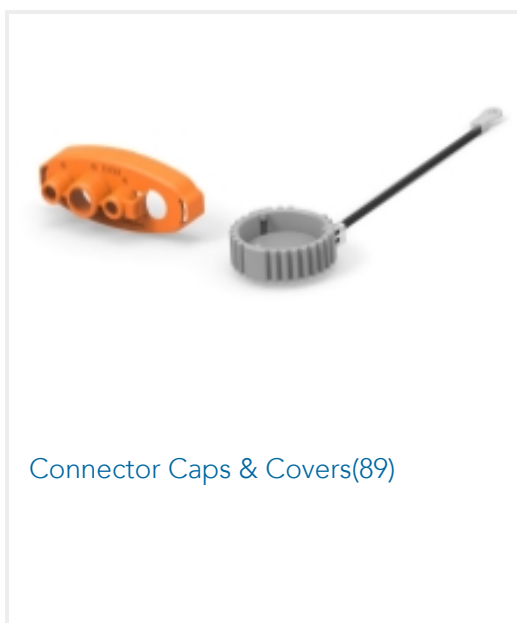
TE Part # 4-647479-0  
10P MTA156 CONN ASSY 18AWG ORA



TE Part # 643701-1  
10P MTA156 HDR ASSY STR W/0#4 ORA



## Also in the Series | MTA 156





PCB Headers & Receptacles(677)



Power Contacts(3)



Rectangular Power Connectors(1178)



Wire-to-Board Headers & Receptacles (677)

## Customers Also Bought



TE Part #813617-SF  
IL19-US1-SJT-3160-183



TE Part #800349-SF  
FN285-4-06



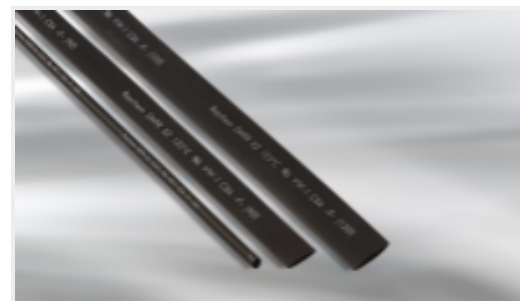
TE Part #800958-SF  
FN9246-12-06



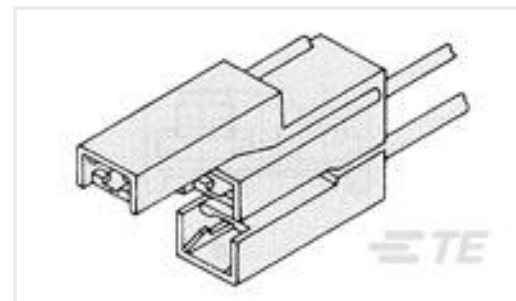
TE Part #3851810001  
RPS-1K-16-10/2.0-S1-9



TE Part #4438994002  
RT555-3/16-0-SP



TE Part #EM7505-000  
X4-3.5-0-SP-SM



TE Part #520212-1  
187 FASTON HSG. REC 3P NATURAL



TE Part #4-640428-0  
10P MTA156 CONN ASSY 22AWG RED



TE Part #4-643819-0  
10P MTA156 CONN ASSY 22AWG RED



TE Part #770088-1  
06P .093 COMM P&S RECPT HSG

## Documents

### Product Drawings

[10P MTA156 MOLDED COVER](#)

English

### CAD Files

[3D PDF](#)

[3D](#)

[Customer View Model](#)

[ENG\\_CVM\\_CVM\\_1-643067-0\\_P.2d\\_dxf.zip](#)



English

**Customer View Model**

[ENG\\_CVM\\_CVM\\_1-643067-0\\_P.3d\\_igs.zip](#)

English

**Customer View Model**

[ENG\\_CVM\\_CVM\\_1-643067-0\\_P.3d\\_stp.zip](#)

English

**3D PDF**

English

**Customer View Model**

[ENG\\_CVM\\_1-643067-0\\_G.2d\\_dxf.zip](#)

English

**Customer View Model**

[ENG\\_CVM\\_1-643067-0\\_G.3d\\_igs.zip](#)

English

**Customer View Model**

[ENG\\_CVM\\_1-643067-0\\_G.3d\\_stp.zip](#)

English

By downloading the CAD file I accept and agree to the [Terms and Conditions](#) of use.

---

### Product Specifications

[Application Specification](#)

Japanese

[Application Specification](#)

English

[MTA 156 Ribbon Cable Connector Assemblies \(English And Spanish\)](#)

English

[MTA 156 Ribbon Cable Connector Assemblies \(English And Spanish\)](#)

Japanese

---

### Instruction Sheets

[Instruction Sheet \(U.S.\)](#)

English