

171383-1 ✓ ACTIVE

MATE-N-LOK | Commercial MATE-N-LOK

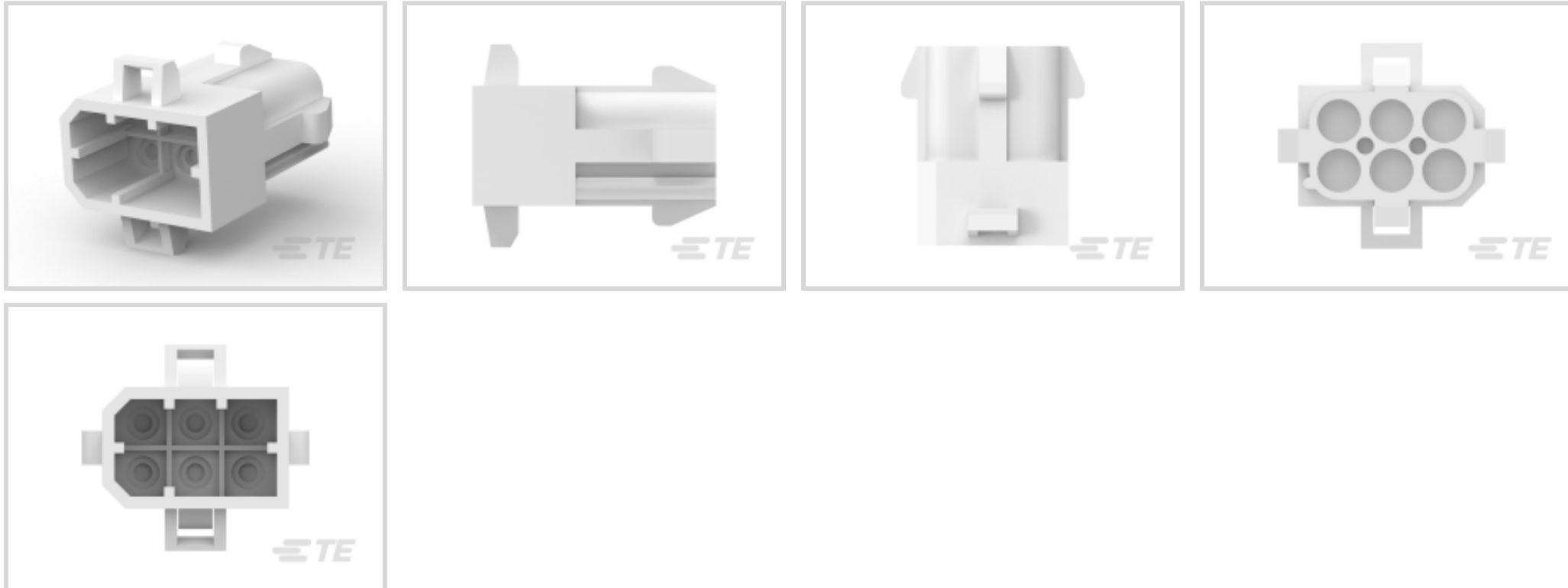
TE Internal #: 171383-1

6 Position, Cap, Housing, Crimp, Wire-to-Panel / Wire-to-Wire, UL
94V-2, 6.5 mm [.255 in] Centerline, 2 Row, 250 VAC, Commercial
MATE-N-LOK

[View on TE.com >](#)



Connectors > Rectangular Connectors > Standard Rectangular Connectors



Connector Product Type: **Housing**

Connector & Housing Type: **Cap**

Termination Method to Wire & Cable: **Crimp**

Connector System: **Wire-to-Panel, Wire-to-Wire**

Contact Retention Within Housing: **Without**

Features

Product Type Features

Connector Product Type	Housing
Connector & Housing Type	Cap
Connector System	Wire-to-Panel, Wire-to-Wire
Sealable	No
Connector & Contact Terminates To	Wire & Cable

Configuration Features

Number of Positions	6
Number of Rows	2

Electrical Characteristics

Operating Voltage	250 VAC
-------------------	---------

Body Features

Primary Product Color	Natural
-----------------------	---------

Contact Features

--	--



Contact Retention Within Housing	Without
----------------------------------	---------

Contact Type	Pin
--------------	-----

Termination Features

Termination Method to Wire & Cable	Crimp
------------------------------------	-------

Mechanical Attachment

Panel Mount Feature	With
---------------------	------

Panel Mount Feature Type	Locking Ear
--------------------------	-------------

Connector Mounting Type	Cable Mount (Free-Hanging)
-------------------------	----------------------------

Housing Features

Centerline (Pitch)	6.5 mm [.255 in]
--------------------	------------------

Housing Material	Nylon 66
------------------	----------

Dimensions

Panel Thickness (Recommended)	.8 – 1.65 mm [.8 – 1.65 in]
-------------------------------	-----------------------------

Connector Width	15 mm
-----------------	-------

Connector Height	30.5 mm
------------------	---------

Connector Length	23.1 mm
------------------	---------

Row-to-Row Spacing	6.05 mm [.238 in]
--------------------	-------------------

Usage Conditions

Operating Temperature Range	-55 – 105 °C [-67 – 221 °F]
-----------------------------	-----------------------------

Operation/Application

Circuit Application	Power & Signal
---------------------	----------------

Identification Marking

Circuit Identification Feature	With
--------------------------------	------

Industry Standards

Compatible With Agency/Standards Products	CSA, UL
---	---------

UL Rating	Certified, Recognized
-----------	-----------------------

Compatible With Approved Standards Products	UL E28476
---	-----------

CSA Rating	LR 16455
------------	----------

UL Flammability Rating	UL 94V-2
------------------------	----------

Glow Wire Rating	Standard Part - Not Glow Wire
------------------	-------------------------------

Packaging Features

Packaging Quantity	200
--------------------	-----

Packaging Method	Bag
------------------	-----

Product Compliance

[For compliance documentation, visit the product page on TE.com>](#)

EU RoHS Directive 2011/65/EU	Compliant
------------------------------	-----------

EU ELV Directive 2000/53/EC	Compliant
-----------------------------	-----------

China RoHS 2 Directive MIIT Order No 32, 2016	有害物质含量符合标准要求 No Restricted Substance(s) Above Threshold
---	---

EU REACH Regulation (EC) No. 1907/2006	Current ECHA Candidate List: JUNE 2025 (250) Candidate List Declared Against: JUNE 2025 (250) Does not contain REACH SVHC
--	---

Halogen Content	Low Halogen - Br, Cl, F < 900 ppm per homogenous material. Also BFR/CFR/PVC Free
-----------------	--

Solder Process Capability	Not applicable for solder process capability
---------------------------	--

Product Compliance Disclaimer

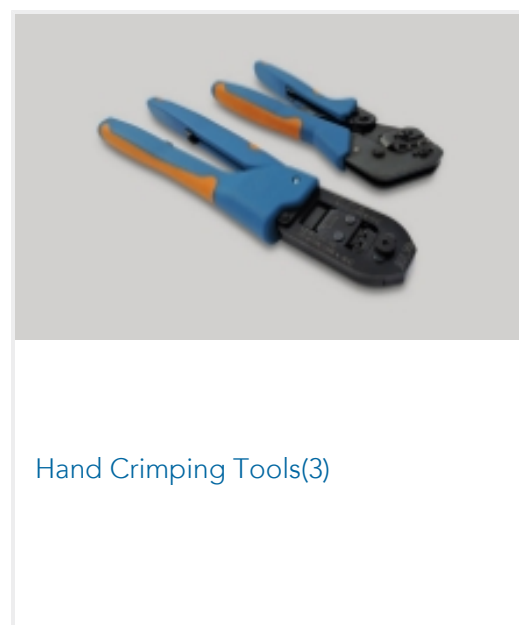
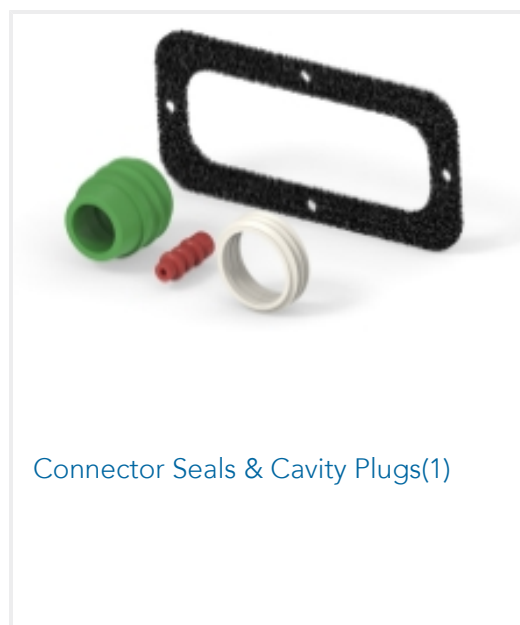
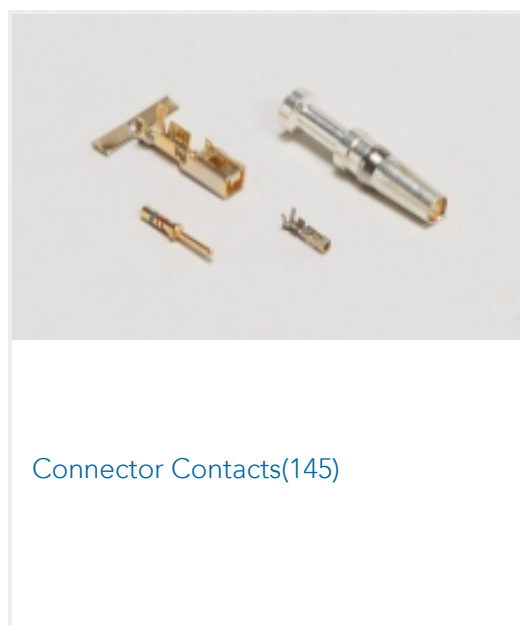
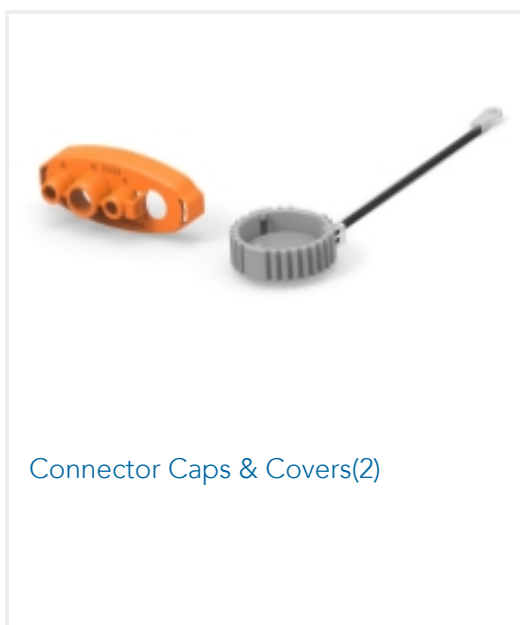
This information is provided based on reasonable inquiry of our suppliers and represents our current actual knowledge based on the information they provided. This information is subject to change. The part numbers that TE has identified as EU RoHS compliant have a maximum concentration of 0.1% by weight in homogenous materials for lead, hexavalent chromium, mercury, PBB, PBDE, DBP, BBP, DEHP, DIBP, and 0.01% for cadmium, or qualify for an exemption to these limits as defined in the Annexes of Directive 2011/65/EU (RoHS2). Finished electrical and electronic equipment products will be CE marked as required by Directive 2011/65/EU. Components may not be CE marked. Additionally, the part numbers that TE has identified as EU ELV compliant have a maximum concentration of 0.1% by weight in homogenous materials for lead, hexavalent chromium, and mercury, and 0.01% for cadmium, or qualify for an exemption to these limits as defined in the Annexes of Directive 2000/53/EC (ELV). Regarding the REACH Regulation, the information TE provides on SVHC in articles for this part number is based on the latest European Chemicals Agency (ECHA) 'Guidance on requirements for substances in articles' posted at this URL: <https://echa.europa.eu/guidance-documents/guidance-on-reach>

Compatible Parts



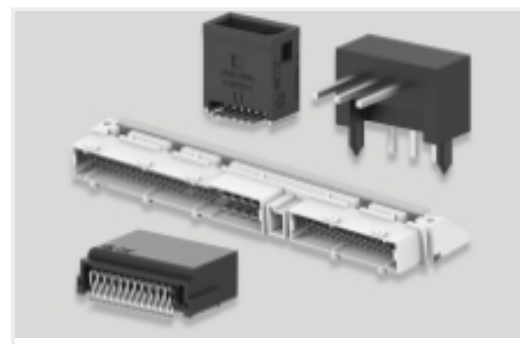


Also in the Series | **Commercial MATE-N-LOK**





Insertion & Extraction Tools(5)



PCB Headers & Receptacles(55)



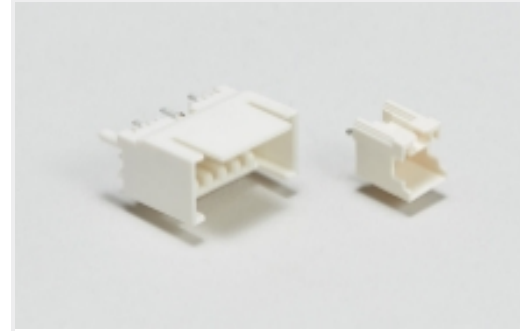
Power Contacts(141)



Rectangular Power Connectors(181)



Standard Circular Connectors(2)

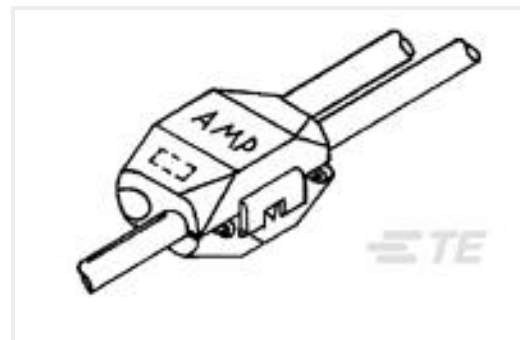


Wire-to-Board Headers & Receptacles (55)

Customers Also Bought



TE Part #170011-8
RING STRIP 18-14 MM2 0.503 X 11.938
TPBR



TE Part #171404-1
ELECTRO TAP 14-16



TE Part #2-172131-1
FF 250 REC HSG 3P NYLON NAT



TE Part #350218-1
UMNL PIN 20-14 .0126PTPBR



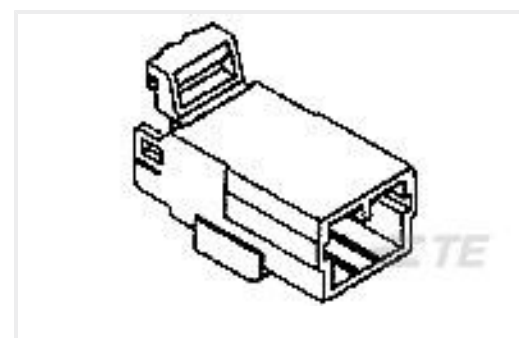
TE Part #350720-1
09P UMNL PLUG HSG



TE Part #2013285-3
DYNAMIC D-5 DYNATAP 20P ASSY
DIN TYPE



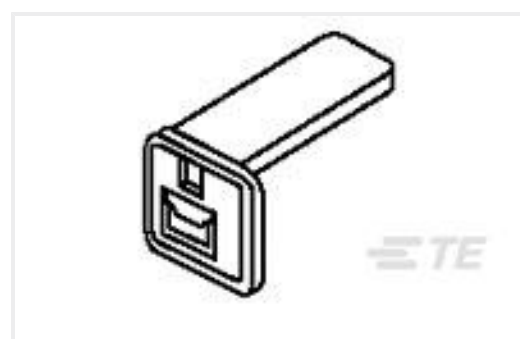
TE Part #2134059-1
DYNAMIC D7300 SOCKET HSG ASSY
RVS 4P XX



TE Part #174928-1
070 MLC W-W CAP HSG 3P NATURAL



TE Part #5176378-2
REC ASS'Y(M) 60P 1.27FHBB



TE Part #1-174878-1
E-J MK-2 PLUG HSG 1P NATURAL

Documents



CAD Files

Customer View Model

[ENG_CVM_171383-1_C.3d_igs.zip](#)

English

Customer View Model

[ENG_CVM_171383-1_C.3d_stp.zip](#)

English

Customer View Model

[ENG_CVM_171383-1_C.2d_dxf.zip](#)

English

3D PDF

English

By downloading the CAD file I accept and agree to the [Terms and Conditions](#) of use.

Datasheets & Catalog Pages

[SOFT_SHELL_PIN_AND_SOCKET_CONNECTORS_CATALOG](#)

English

Product Specifications

[Application Specification](#)

English

Agency Approvals

[UL Report](#)

English