

172433-2 ✓ ACTIVE

Positive Lock | Positive Lock 250

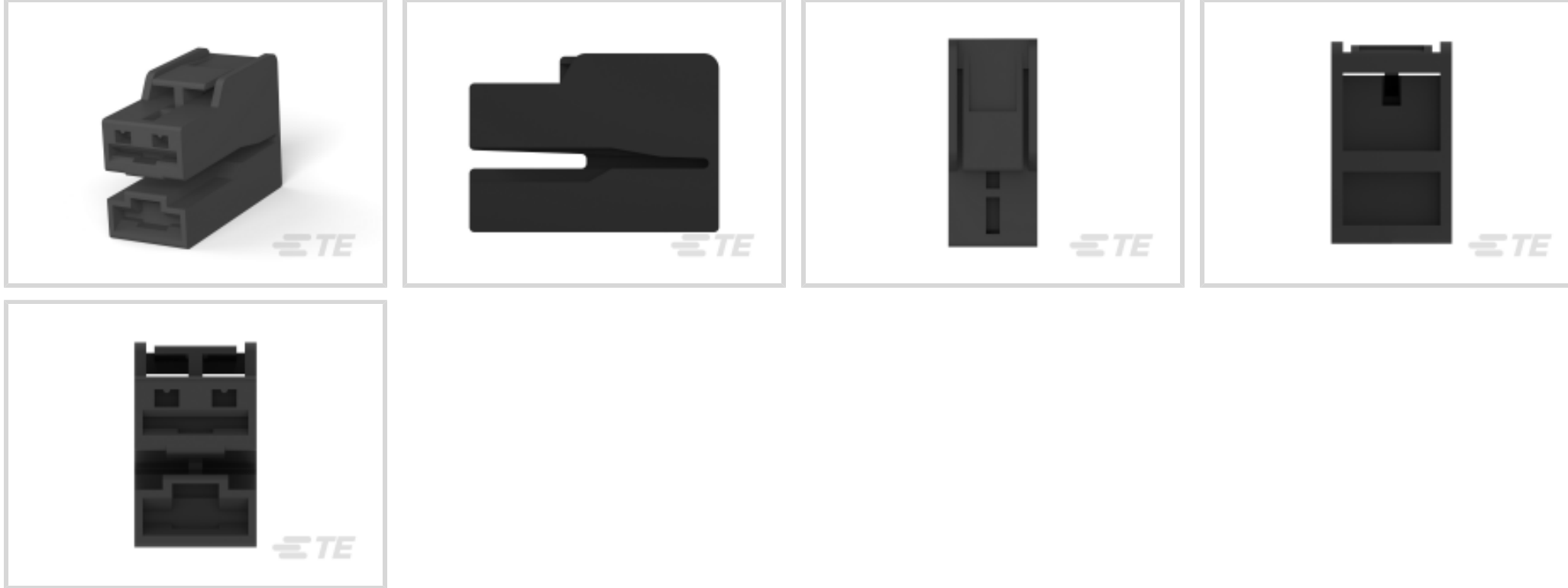
TE Internal #: 172433-2

Receptacle Terminal Housing, 2 Position, 8.6 mm [.338 in]
Centerline, Straight, Black, UL 94V-0, Nylon, Cable Mount (Free-
Hanging), Positive Lock 250

[View on TE.com >](#)



Terminals & Splices > Terminal Housings, Insulation Sleeves & Blocks > Crimp Terminal Housings



Terminal Type: **Receptacle**

Connector & Housing Type: **Receptacle**

Number of Positions: **2**

Terminal Orientation: **Straight**

UL Flammability Rating: **UL 94V-0**

Features

Product Type Features

Connector & Contact Terminates To	Wire & Cable
Sealable	No
Connector System	Wire-to-Board, Wire-to-Wire
Connector & Housing Type	Receptacle

Configuration Features

Number of Positions	2
---------------------	---

Body Features

Primary Product Color	Black
-----------------------	-------

Contact Features

Terminal Type	Receptacle
Terminal Orientation	Straight
Contact Mating Retention	Without

Mechanical Attachment



Mating Alignment Type	Polarization
Mating Alignment	With
Connector Mounting Type	Cable Mount (Free-Hanging)

Housing Features

Housing Material	Nylon
Centerline (Pitch)	8.6 mm [.338 in]

Usage Conditions

Operating Temperature Range	-40 – 105 °C [-40 – 221 °F]
-----------------------------	-----------------------------

Industry Standards

UL Flammability Rating	UL 94V-0
------------------------	----------

Packaging Features

Packaging Quantity	100
--------------------	-----

Product Compliance

[For compliance documentation, visit the product page on TE.com>](#)

EU RoHS Directive 2011/65/EU	Compliant
EU ELV Directive 2000/53/EC	Compliant
China RoHS 2 Directive MIIT Order No 32, 2016	No Restricted Materials Above Threshold
EU REACH Regulation (EC) No. 1907/2006	Current ECHA Candidate List: JUNE 2025 (250) Candidate List Declared Against: JUNE 2025 (250) Does not contain REACH SVHC
Halogen Content	Low Halogen - Br, Cl, F < 900 ppm per homogenous material. Also BFR/CFR/PVC Free
Solder Process Capability	Not applicable for solder process capability

Product Compliance Disclaimer

This information is provided based on reasonable inquiry of our suppliers and represents our current actual knowledge based on the information they provided. This information is subject to change. The part numbers that TE has identified as EU RoHS compliant have a maximum concentration of 0.1% by weight in homogenous materials for lead, hexavalent chromium, mercury, PBB, PBDE, DBP, BBP, DEHP, DIBP, and 0.01% for cadmium, or qualify for an exemption to these limits as defined in the Annexes of Directive 2011/65/EU (RoHS2). Finished electrical and electronic equipment products will be CE marked as required by Directive 2011/65/EU. Components may not be CE marked. Additionally, the part numbers that TE has identified as EU ELV compliant have a maximum concentration of 0.1% by weight in homogenous materials for lead, hexavalent chromium, and mercury, and 0.01% for cadmium, or qualify for an exemption to these limits as defined in the Annexes of Directive 2000/53/EC (ELV). Regarding the REACH Regulation, the information TE provides on SVHC in articles for this part number is based on the latest European Chemicals Agency (ECHA) 'Guidance on requirements for substances in articles' posted at this URL: <https://echa.europa.eu/guidance-documents/guidance-on-reach>

Compatible Parts



TE Part # 170456-1
PL 250 AUTOMOTIVE REC 12-10 0.40 X 21 BR



TE Part # 170454-1
PL 250 AUTOMOTIVE REC 18-14 0.40 X 21 BR



TE Part # 170452-1
PL 250 AM REC 22-20 AWG 0.406 X 21 BR



TE Part # 185010-2
HEADLIGHT HOUSING HOUSING BR



TE Part # 170452-2
PL 250 AUTOMOTIVE REC 22-20 AWG PRE TPBR



TE Part # 927389-1
PL 3P HOUSING PA66 BLACK



TE Part # 170454-2
PL 250 AM REC 18-14 0.40 X 21 PRE-TPBR



TE Part # 100100-1
2 POS POSITIVE LOCK (PL) HOUSING



TE Part # 170456-2
PL 250 AM REC 12-10 0.40 X 21 PRE-TPBR

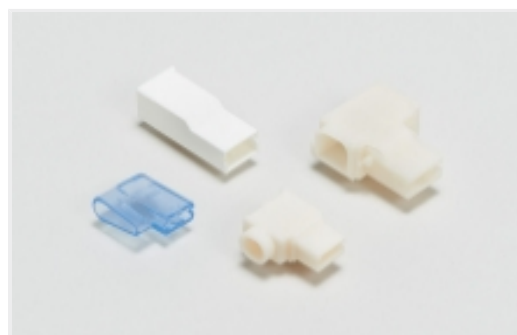


TE Part # 927076-1
PL HOUSING 0.6 PA 6.6 + PE-GF13 BLACK

Also in the Series | Positive Lock 250



Automotive Terminals(1)



Crimp Terminal Housings(176)



Insertion & Extraction Tools(3)

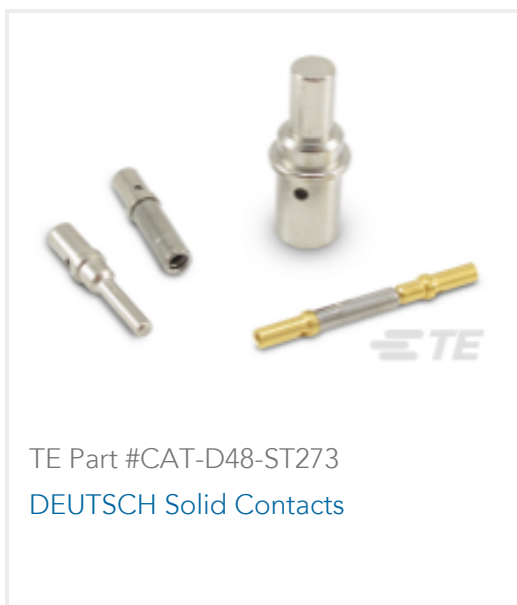
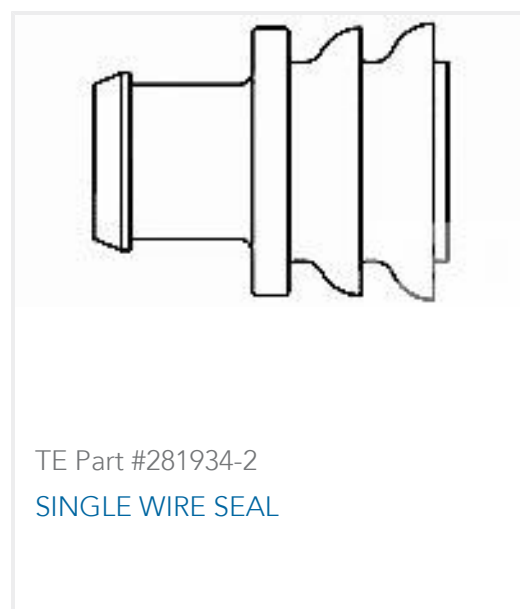
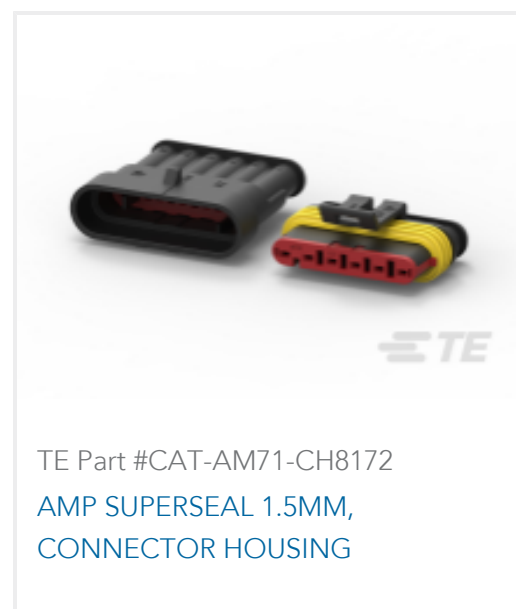


Insulation Boots & Sleeves(5)



Quick Disconnects(171)

Customers Also Bought

TE Part #CAT-D48-ST273
DEUTSCH Solid ContactsTE Part #DT04-2P
REC, 2P, GRY, NTE Part #CAT-D487-W416
Wedgelocks: DEUTSCH DTTE Part #DT06-2S
PLG, 2P, GRY, NTE Part #114017-ZZ
SEALING PLUG, SIZE 12/16, WHTTE Part #281934-2
SINGLE WIRE SEALTE Part #CAT-AM71-CH8172
AMP SUPERSEAL 1.5MM,
CONNECTOR HOUSING

Documents

Product Drawings

250 AUTOMOTIVE POSTIVE LOCK 2P

English

CAD Files

3D PDF

3D

Customer View Model

[ENG_CVM_CVM_172433-2_C.2d_dxf.zip](#)

English

Customer View Model

[ENG_CVM_CVM_172433-2_C.3d_igs.zip](#)

English

Customer View Model

[ENG_CVM_CVM_172433-2_C.3d_stp.zip](#)

English

By downloading the CAD file I accept and agree to the [Terms and Conditions](#) of use.



Product Specifications

Crimping of 250 Series Tab and Receptacle Contacts

Japanese

Application Specification

Japanese

Crimping of 250 Series, Automotive Positive Lock Receptacle Contact

English

Application Specification

English

Agency Approvals

UL Report

English

UL Report

English