

1744429-6 ✓ ACTIVE

Economy Power

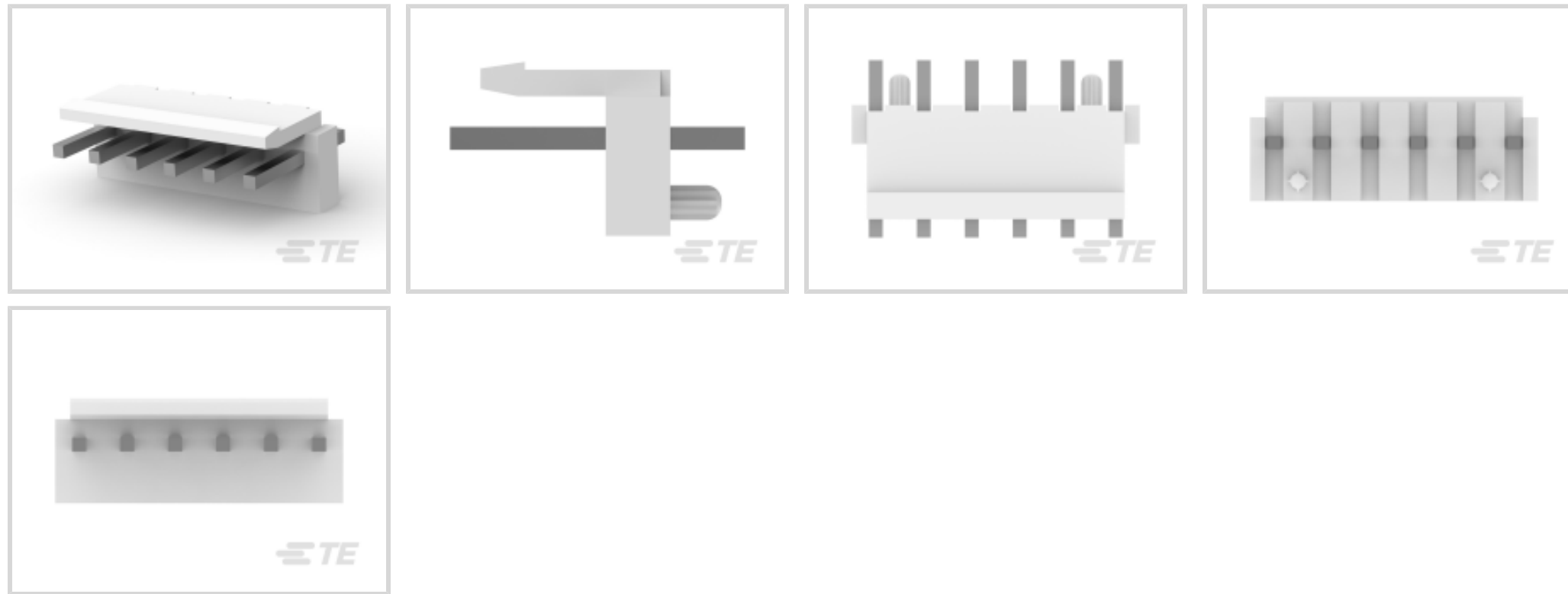
TE Internal #: 1744429-6

PCB Mount Header, Vertical, Wire-to-Board, 6 Position, 3.96 mm [.156 in] Centerline, Partially Shrouded, Tin (Sn), Economy Power

[View on TE.com >](#)



Connectors > PCB Connectors > PCB Headers & Receptacles



PCB Connector Type: **PCB Mount Header**

PCB Mount Orientation: **Vertical**

Connector System: **Wire-to-Board**

Number of Positions: **6**

Centerline (Pitch): **3.96 mm [.156 in]**

### Features

#### Product Type Features

Connector Shape	Rectangular
PCB Connector Type	PCB Mount Header
Connector System	Wire-to-Board
Header Type	Partially Shrouded
Sealable	No
Connector & Contact Terminates To	Printed Circuit Board
Connector Product Type	Connector Assembly

#### Configuration Features

Number of Loaded Positions	6
PCB Mount Orientation	Vertical
Number of Positions	6
Number of Rows	1
Number of Power Positions	6

#### Electrical Characteristics



Operating Voltage	250 VDC
-------------------	---------

### Body Features

Primary Product Color	Natural
-----------------------	---------

### Contact Features

Contact Underplating Material	Nickel
-------------------------------	--------

Contact Underplating Material Thickness	1 $\mu\text{m}$ [39.37 $\mu\text{in}$ ]
---	---

PCB Contact Termination Area Plating Material Thickness	3.048 $\mu\text{m}$ [120 $\mu\text{in}$ ]
---	---

Contact Layout	Inline
----------------	--------

Contact Mating Area Length	7.7 mm[.303 in]
----------------------------	-----------------

Contact Base Material	Brass
-----------------------	-------

Contact Mating Area Plating Material	Tin (Sn)
--------------------------------------	----------

Contact Mating Area Plating Material Thickness	3.048 $\mu\text{m}$ [120 $\mu\text{in}$ ]
--	---

Contact Type	Tab
--------------	-----

Contact Current Rating (Max)	8 A
------------------------------	-----

PCB Contact Termination Area Plating Material	Tin
---	-----

### Termination Features

Termination Post & Tail Length	3.69 mm[.145 in]
--------------------------------	------------------

Termination Method to PCB	Through Hole - Solder
---------------------------	-----------------------

### Mechanical Attachment

Mating Retention Type	Locking Tab
-----------------------	-------------

PCB Mount Alignment Type	Pegs
--------------------------	------

PCB Mount Alignment	With
---------------------	------

Mating Retention	With
------------------	------

PCB Mount Retention	Without
---------------------	---------

Connector Mounting Type	Board Mount
-------------------------	-------------

Mating Alignment	Without
------------------	---------

### Housing Features

Centerline (Pitch)	3.96 mm[.156 in]
--------------------	------------------

Housing Material	Nylon
------------------	-------

### Dimensions

Connector Width	8.6 mm[.339 in]
-----------------	-----------------

PCB Thickness (Recommended)	1.6 mm[.063 in]
-----------------------------	-----------------



Connector Height	9.4 mm[.37 in]
------------------	----------------

Connector Length	23.76 mm[.935 in]
------------------	-------------------

### Usage Conditions

Operating Temperature (Max)	105 °C[221 °F]
-----------------------------	----------------

Operating Temperature Range	-30 – 105 °C[-22 – 221 °F]
-----------------------------	----------------------------

### Operation/Application

Circuit Application	Power
---------------------	-------

### Industry Standards

Glow Wire Rating	GWT 750°C (Without Flame)
------------------	---------------------------

UL Flammability Rating	UL 94V-0
------------------------	----------

### Packaging Features

Packaging Quantity	1000
--------------------	------

Packaging Method	Bag
------------------	-----

### Product Compliance

[For compliance documentation, visit the product page on TE.com>](#)

EU RoHS Directive 2011/65/EU	Compliant
------------------------------	-----------

EU ELV Directive 2000/53/EC	Compliant
-----------------------------	-----------

China RoHS 2 Directive MIIT Order No 32, 2016	有害物质含量符合标准要求 No Restricted Substance(s) Above Threshold
---	---

EU REACH Regulation (EC) No. 1907/2006	Current ECHA Candidate List: JUNE 2025 (250) Candidate List Declared Against: JUNE 2025 (250) Does not contain REACH SVHC
--	---

Halogen Content	Not Low Halogen - contains Br or Cl > 900 ppm.
-----------------	--

Solder Process Capability	Wave solder capable to 265°C
---------------------------	------------------------------

#### Product Compliance Disclaimer

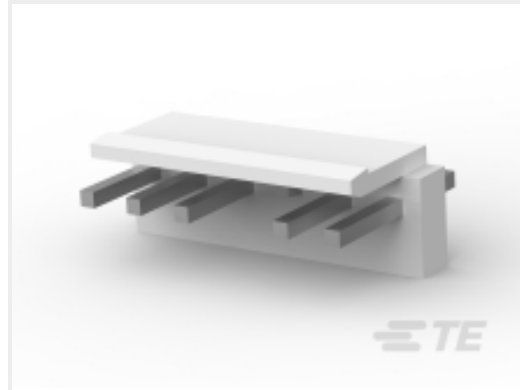
This information is provided based on reasonable inquiry of our suppliers and represents our current actual knowledge based on the information they provided. This information is subject to change. The part numbers that TE has identified as EU RoHS compliant have a maximum concentration of 0.1% by weight in homogenous materials for lead, hexavalent chromium, mercury, PBB, PBDE, DBP, BBP, DEHP, DIBP, and 0.01% for cadmium, or qualify for an exemption to these limits as defined in the Annexes of Directive 2011/65/EU (RoHS2). Finished electrical and electronic equipment products will be CE marked as required by Directive 2011/65/EU. Components may not be CE marked. Additionally, the part numbers that TE has identified as EU ELV compliant have a maximum concentration of 0.1% by weight in homogenous materials for lead, hexavalent chromium, and mercury, and 0.01% for cadmium, or qualify for an exemption to these limits as defined in the Annexes of Directive 2000/53/EC (ELV). Regarding the REACH Regulation, the information TE provides on SVHC in articles for this part number is based on the latest European Chemicals Agency (ECHA) 'Guidance on

requirements for substances in articles' posted at this URL: <https://echa.europa.eu/guidance-documents/guidance-on-reach>

## Compatible Parts



TE Part # 2-1744435-8  
EP 08P V-HDR ASY NO 3 PIN



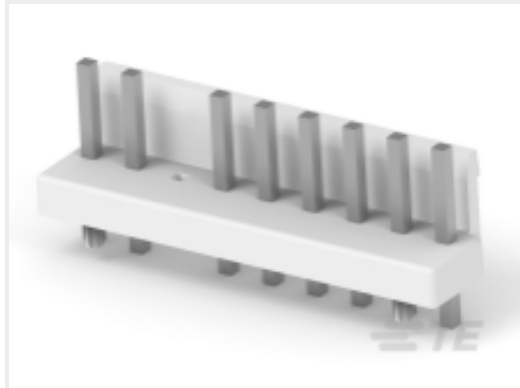
TE Part # 1744524-6  
EP 06P HEADER ASY NO 4 PIN



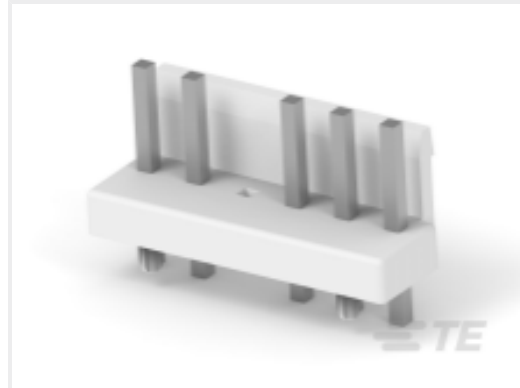
TE Part # 1744544-6  
EP II TPA 06P, BLACK



TE Part # 2-1744036-6  
06P ECONOMY POWER .200 CL HSG



TE Part # 1-1744429-9  
3.96 EP HDR ASSY 9P W/PEGS, GW,  
NO PIN 3



TE Part # 1-1744429-6  
3.96 EP HDR ASSY 6P W/PEGS, GW,  
NO PIN 3



TE Part # 1744416-6  
6 POS EP II HSG, GLOW WIRE



TE Part # 1744496-6  
06P EP-II HOUSING, BLUE

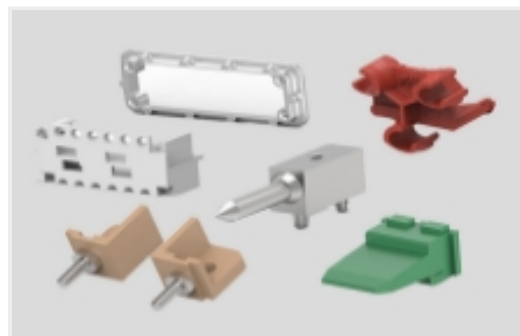


TE Part # 1-1744524-6  
EP 06P HEADER ASY NO 2,4,5 PIN

## Also in the Series | Economy Power



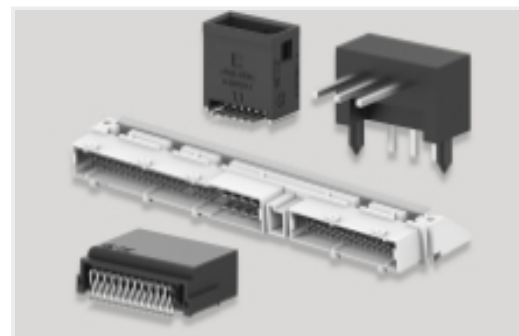
Connector Contacts(13)



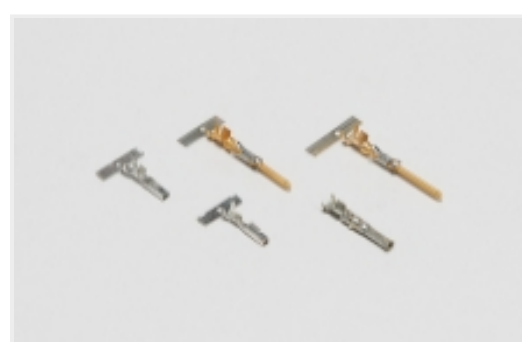
Connector Hardware(2)



Insertion & Extraction Tools(1)



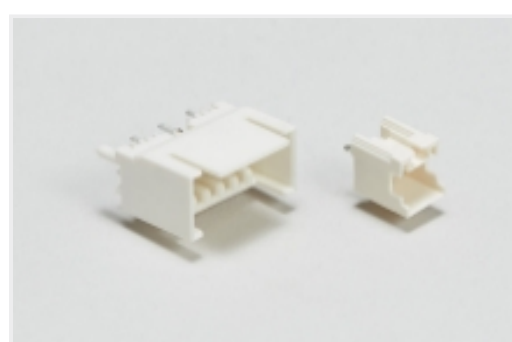
PCB Headers & Receptacles(463)



Power Contacts(7)

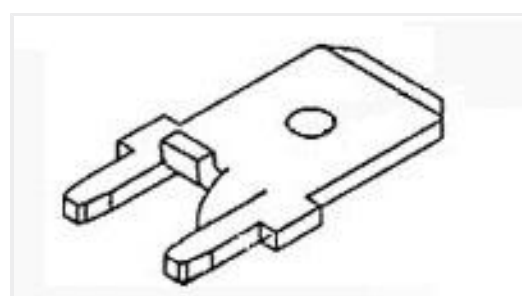
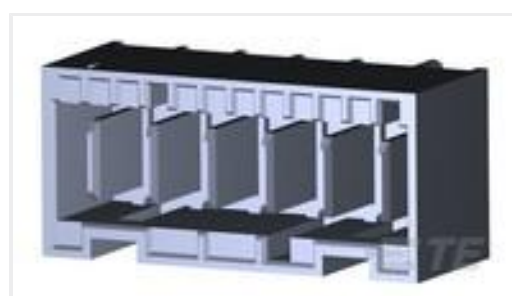
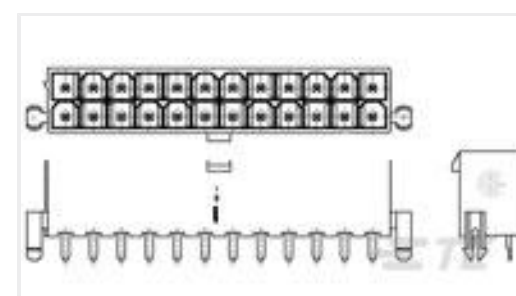
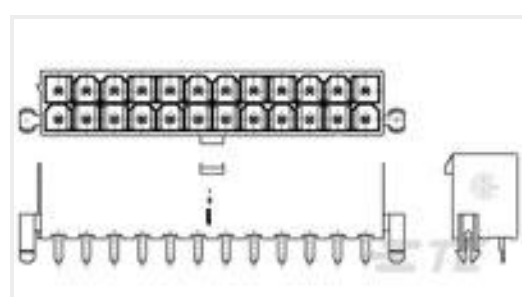


Rectangular Power Connectors(547)



Wire-to-Board Headers &amp; Receptacles (463)

## Customers Also Bought

TE Part #63862-1  
250 FASTON TAB TPBRTE Part #1744429-9  
3.96 EP HDR ASSY 9P W/PEGS, GWTE Part #1-1971845-6  
6P, RAST 5 Tab Header, THVTE Part #2029265-2  
2P VAL-U-LOK VRTHDR W/PGS GWTE Part #2029265-4  
4P VAL-U-LOK VRTHDR W/PGS GWTE Part #1-2232511-4  
4P, RAST 5 TAB HEADER, TH, VER, SEL

## Documents

### CAD Files

#### 3D PDF

3D

#### Customer View Model

[ENG\\_CVM\\_CVM\\_1744429-6\\_D.2d\\_dxf.zip](#)

English

#### Customer View Model

[ENG\\_CVM\\_CVM\\_1744429-6\\_D.3d\\_igs.zip](#)

English

#### Customer View Model

[ENG\\_CVM\\_CVM\\_1744429-6\\_D.3d\\_stp.zip](#)

English

By downloading the CAD file I accept and agree to the [Terms and Conditions](#) of use.

### Datasheets & Catalog Pages

[Economy Power II \(EP II\) Glow Wire test compliant connectors](#)

English



[7-1773458-5\\_ECONOMY\\_POWER\\_QRG](#)

English

---

**Product Specifications**

[Application Specification](#)

Japanese

---

**Agency Approvals**

[UL Report](#)

English