

1-962841-1 ✓ ACTIVE



AMP | Junior Power Timer, Timer Connector System

TE Internal #: 1-962841-1

Tab Terminal, 20 – 17 AWG, .5 – 1 mm<sup>2</sup> Wire, 2.8 mm [.11 in] Tab Width, Tin (Sn), .8 mm [.031 in] Tab Thickness, Unsealed, Timer Connector System

[View on TE.com >](#)

Automotive Parts > Automotive Terminals > TIMER, RECEPTACLE AND TAB



Terminal Type: **Tab**

Wire Size: **20 – 17 AWG**

Mating Tab Width: **2.8 mm [.11 in]**

Interface Plating: **Tin (Sn)**

[All TIMER, RECEPTACLE AND TAB \(280\)](#)

## Features

### Product Type Features

Receptacle Style	180°
Primary Locking Feature	Integrated in Housing
Sealable	No

### Body Features

Terminal Seal Type	Unsealed
--------------------	----------

### Contact Features

Typical Current Rating	30 A
Crimp Type	F-Crimp
Contact Size	2.8mm
Contact Fabrication	Stamped & Formed
Wire Contact Termination Area Plating Material	Tin
Terminal Type	Tab
Mating Tab Width	2.8 mm [.11 in]
Interface Plating	Tin (Sn)
Mating Tab Thickness	.8 mm [.031 in]

### Termination Features

Termination Method to Wire & Cable	Crimp
------------------------------------	-------



Product Terminates To

Wire &amp; Cable

### Dimensions

Compatible Insulation Diameter Range

1.4 – 2.1 mm [.055 – .083 in]

Wire Size

20 – 17 AWG

Wire Size Search

.5 mm<sup>2</sup>, .6 mm<sup>2</sup>, .75 mm<sup>2</sup>, 1 mm<sup>2</sup>

Tab Length

26.7 mm [1.05 in]

### Usage Conditions

Insulation Option

Uninsulated

Operating Temperature (Max)

130 °C [266 °F]

Operating Temperature Range

-40 – 130 °C [-40 – 266 °F]

### Operation/Application

Compatible With Wire Base Material

Copper

Conforms to Automation Guideline

Yes, KOMAX Guideline for automatic component insertion for electrical connections, Version 5.0 (March 2018)

### Industry Standards

Compatible With Agency/Standards Products

DIN 72036

### Packaging Features

Packaging Method

Reel

Packaging Quantity

4000

### Other

Terminal Transmits

25 – 40 A (Power)

## Product Compliance

For compliance documentation, visit the product page on [TE.com](https://www.te.com)>

EU RoHS Directive 2011/65/EU

Compliant

EU ELV Directive 2000/53/EC

Compliant

China RoHS 2 Directive MIIT Order No 32, 2016

有害物质含量符合标准要求 No Restricted Substance(s) Above Threshold

EU REACH Regulation (EC) No. 1907/2006

Current ECHA Candidate List: JUNE 2025 (250)  
Candidate List Declared Against: JUNE 2025 (250)  
Does not contain REACH SVHC

Halogen Content

Low Halogen - Br, Cl, F &lt; 900 ppm per

homogenous material. Also BFR/CFR/PVC Free

Solder Process Capability

Not applicable for solder process capability


Product Compliance Disclaimer

This information is provided based on reasonable inquiry of our suppliers and represents our current actual knowledge based on the information they provided. This information is subject to change. The part numbers that TE has identified as EU RoHS compliant have a maximum concentration of 0.1% by weight in homogenous materials for lead, hexavalent chromium, mercury, PBB, PBDE, DBP, BBP, DEHP, DIBP, and 0.01% for cadmium, or qualify for an exemption to these limits as defined in the Annexes of Directive 2011/65/EU (RoHS2). Finished electrical and electronic equipment products will be CE marked as required by Directive 2011/65/EU. Components may not be CE marked. Additionally, the part numbers that TE has identified as EU ELV compliant have a maximum concentration of 0.1% by weight in homogenous materials for lead, hexavalent chromium, and mercury, and 0.01% for cadmium, or qualify for an exemption to these limits as defined in the Annexes of Directive 2000/53/EC (ELV). Regarding the REACH Regulation, the information TE provides on SVHC in articles for this part number is based on the latest European Chemicals Agency (ECHA) 'Guidance on requirements for substances in articles' posted at this URL: <https://echa.europa.eu/guidance-documents/guidance-on-reach>

## Compatible Parts



TE Part # 1801735-5  
18W HYBRID UNSEALED RCPT HSG ASSY PURPLE



**KIT**  
REPRESENTATION ONLY

TE Part # 7-2836795-7  
TOOLING KIT TO MAKE LOOSE PIECE TERMINAL



TE Part # 2836795-1  
APPLICATOR TO MAKE LOOSE PC TERMINAL-RSM



TE Part # 1801735-3  
18W HYBRID UNSEALED RCPT HSG ASSY BLUE



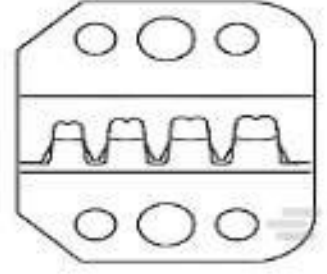
TE Part # 1801735-4  
18W HYBRID UNSEALED RCPT HSG ASSY BROWN



TE Part # 968908-1  
KREUZKONTAKT 2,8



TE Part # 2236046-8  
32POS, MIXED, MALE CONN., CLIP2, COD B



TE Part # 58603-2  
PROCRIMP DIE JPT 2.8MM TAB COD B



TE Part # 2-2322192-1  
18POS, 2.8X0.8, TAB HSG, COD B



TE Part # 2305570-1  
Strip Terminal Cutter-Side Feed-No Crimp



TE Part # 1-1579007-6  
EXTRACTION TOOL



TE Part # 2484266-1  
33POS, HYBRID, TAB HSG ASSY, UNSLD, COD A




TE Part # 1801735-1  
18W HYBRID UNSEALED RCPT HSG  
ASSY BLACK



TE Part # 3-2322192-1  
18POS, 2.8X0.8, TAB HSG, COD C



TE Part # 2151267-2  
OCEAN\_2.0\_APPLICATOR-S-  
080F1000-RSA



TE Part # 2151267-1  
OCEAN\_2.0\_APPLICATOR-S-  
080F1000-RSM



TE Part # 1-2322192-1  
18POS, 2.8X0.8, TAB HSG, COD A



TE Part # 2236046-7  
32POS, MIXED, MALE CONN., CLIP2,  
COD A




TE Part # 1-2236046-1  
32W, MIXED, MALE CONN., CLIP2,  
COD B, CPA




TE Part # 5-2151267-2  
OCEAN\_2.0\_APPLICATOR-S-  
080F1000-RSA


Also in the Series | **Junior Power Timer**




Automotive Connector Caps & Covers  
(12)



Automotive Housings(186)




Automotive Seals & Cavity Plugs(32)



Automotive Terminals(110)

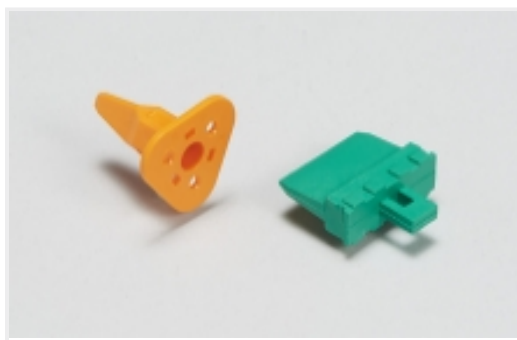


Module Components(1)

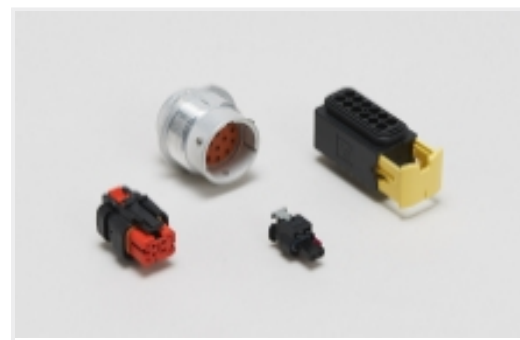


Special Purpose Terminals(2)

Also in the Series | **Timer Connector System**



Automotive Connector Locks & Position Assurance(15)



Automotive Housings(186)



Automotive Seals & Cavity Plugs(32)



Automotive Signal & Power Connector Housings(136)



Other Automotive Connector Accessories(1)

## Customers Also Bought



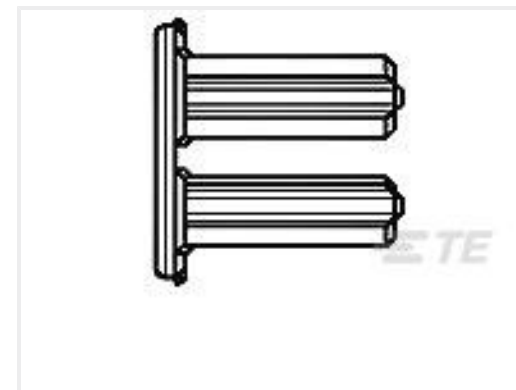
TE Part #CAT-T4827-CH8172  
Timer Connector Housing



TE Part #1-962842-1  
TAB 2.8x0.8 CONTACT CS SRC Sn



TE Part #CAT-AM705-CH8173  
AMP Unsealed Connector Housing



TE Part #968271-1  
2. KONT-SICHERUNG 6P



TE Part #CAT-AM705-T273  
AMP MCP, RECEPTACLE AND TAB

## Documents

### Product Drawings

[TAB 2.8x0.8 CONTACT CS SRC Sn](#)

English

[TAB 2.8x0.8 CONTACT CS SRC Sn](#)

English

### CAD Files

[Customer View Model](#)

[ENG\\_CVM\\_CVM\\_1-962841-1\\_F.2d\\_dxf.zip](#)



English

[3D PDF](#)

3D

Customer View Model

[ENG\\_CVM\\_CVM\\_1-962841-1\\_F.3d\\_igs.zip](#)

English

Customer View Model

[ENG\\_CVM\\_CVM\\_1-962841-1\\_F.3d\\_stp.zip](#)

English

By downloading the CAD file I accept and agree to the [Terms and Conditions](#) of use.

---

### Product Specifications

[Application Specification](#)

English

[Application Specification](#)

German

[Application Specification](#)

English

[Application Specification](#)

English