

1-967281-1 ✓ ACTIVE



AMP | Junior Power Timer, Micro Timer II

TE Internal #: 1-967281-1

12 V / 24 V / 48 V, 42 Position, Automotive Housing for Female Terminals, Wire-to-Board, 4 mm [.157 in] Centerline, Black, Wire & Cable, Power, Hybrid

[View on TE.com >](#)

Automotive Parts > Automotive Connectors > Automotive Housings > Timer Connector Housing



Nominal Voltage Architecture: 12 V, 24 V, 48 V

Connector & Housing Type: **Housing for Female Terminals**

Number of Positions: 42

Sealable: No

Operating Temperature Range: -40 – 130 °C [-40 – 266 °F]

[All Timer Connector Housing \(436\)](#)

Features

Product Type Features

Mixed & Hybrid Connector	Yes
Connector Shape	Rectangular
Connector & Housing Type	Housing for Female Terminals
Sealable	No
Primary Locking Feature	Locking Lance
Connector System	Wire-to-Board
Connector & Contact Terminates To	Wire & Cable

Configuration Features

Number of Positions	42
Number of Rows	3

Electrical Characteristics

Nominal Voltage Architecture	12 V, 24 V, 48 V
------------------------------	------------------



Body Features

Cable Exit Angle	180 °
Primary Product Color	Black
Connector & Keying Code	A1

Contact Features

Contact Size	1.6mm, 2.8mm
Contact Type	Receptacle
Mating Tab Width	1.6 mm, 2.8 mm [.06 in][.11 in]
Contact Current Rating (Max)	10 A, 30 A

Mechanical Attachment

Strain Relief	Without
Terminal Position Assurance	No
Mating Alignment Type	Keyed
Mating Alignment	With
Connector Mounting Type	Cable Mount (Free-Hanging)

Housing Features

Housing Material	PBT GF30
Centerline (Pitch)	4 mm [.157 in]

Dimensions

Row-to-Row Spacing	5 mm [.196 in]
Product Width	33 mm [1.29 in]
Product Length	82.5 mm [3.24 in]
Connector Height	32 mm [1.25 in]

Usage Conditions

Operating Temperature Range	-40 – 130 °C [-40 – 266 °F]
Operating Temperature (Max)	130 °C [266 °F]

Operation/Application

Circuit Application	Power
---------------------	-------

Packaging Features

Packaging Quantity	195
Packaging Method	Carton

Other



Serviceable	No
Connector Position Assurance Capable	No

Product Compliance

[For compliance documentation, visit the product page on TE.com>](#)

EU RoHS Directive 2011/65/EU	Compliant
EU ELV Directive 2000/53/EC	Compliant
China RoHS 2 Directive MIIT Order No 32, 2016	有害物质含量符合标准要求 No Restricted Substance(s) Above Threshold
EU REACH Regulation (EC) No. 1907/2006	Current ECHA Candidate List: JUNE 2025 (250) Candidate List Declared Against: JUNE 2025 (250) Does not contain REACH SVHC
Halogen Content	BFR/CFR/PVC Free, but Br/Cl >900 ppm in other sources.
Solder Process Capability	Not applicable for solder process capability

Product Compliance Disclaimer

This information is provided based on reasonable inquiry of our suppliers and represents our current actual knowledge based on the information they provided. This information is subject to change. The part numbers that TE has identified as EU RoHS compliant have a maximum concentration of 0.1% by weight in homogenous materials for lead, hexavalent chromium, mercury, PBB, PBDE, DBP, BBP, DEHP, DIBP, and 0.01% for cadmium, or qualify for an exemption to these limits as defined in the Annexes of Directive 2011/65/EU (RoHS2). Finished electrical and electronic equipment products will be CE marked as required by Directive 2011/65/EU. Components may not be CE marked. Additionally, the part numbers that TE has identified as EU ELV compliant have a maximum concentration of 0.1% by weight in homogenous materials for lead, hexavalent chromium, and mercury, and 0.01% for cadmium, or qualify for an exemption to these limits as defined in the Annexes of Directive 2000/53/EC (ELV). Regarding the REACH Regulation, the information TE provides on SVHC in articles for this part number is based on the latest European Chemicals Agency (ECHA) 'Guidance on requirements for substances in articles' posted at this URL: <https://echa.europa.eu/guidance-documents/guidance-on-reach>

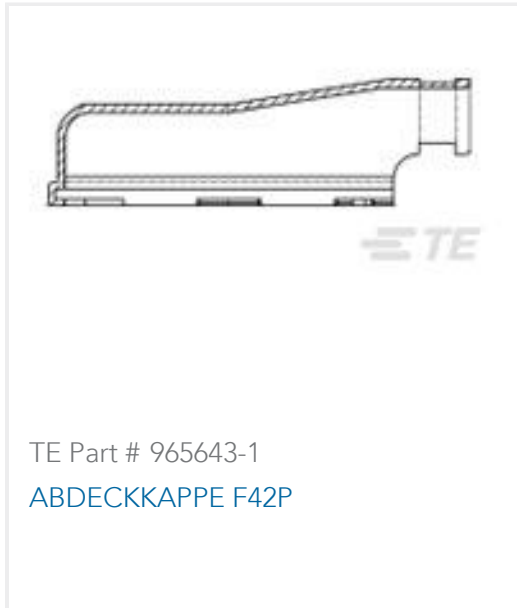
Compatible Parts

TE Part # CAT-LMPH9507
Low & Medium Power Header

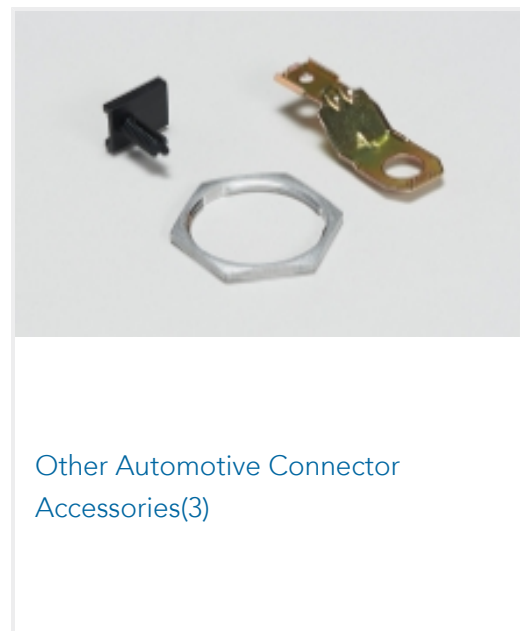
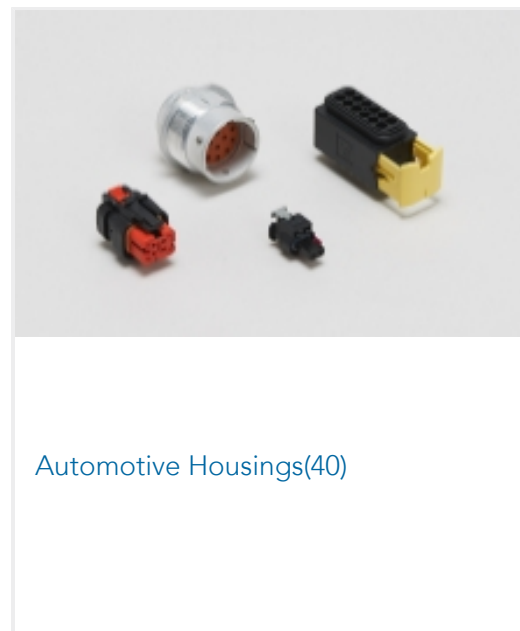
TE Part # 963225-1
DICHTUNG F 42P GEH

TE Part # CAT-T4827-T273
TIMER, RECEPTACLE AND TAB

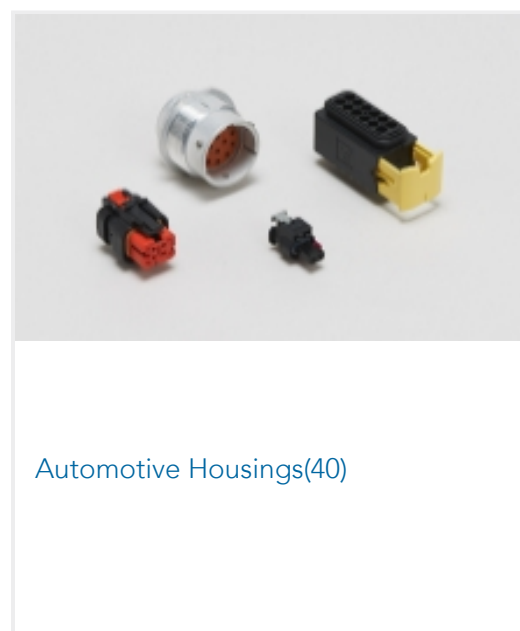
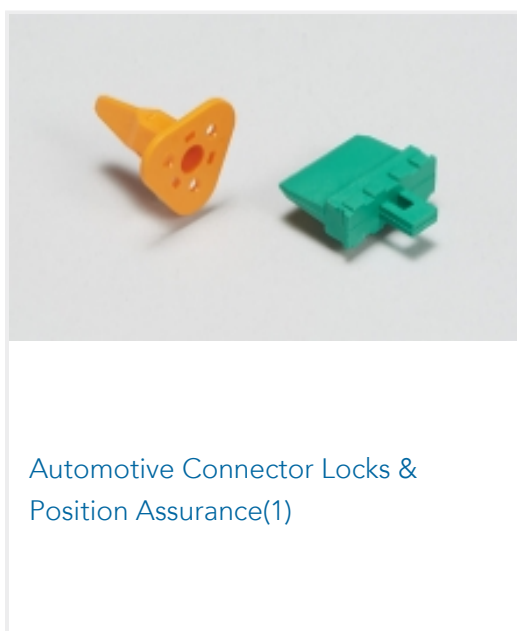
TE Part # 962370-1
SCHIEBER F42/29P GH



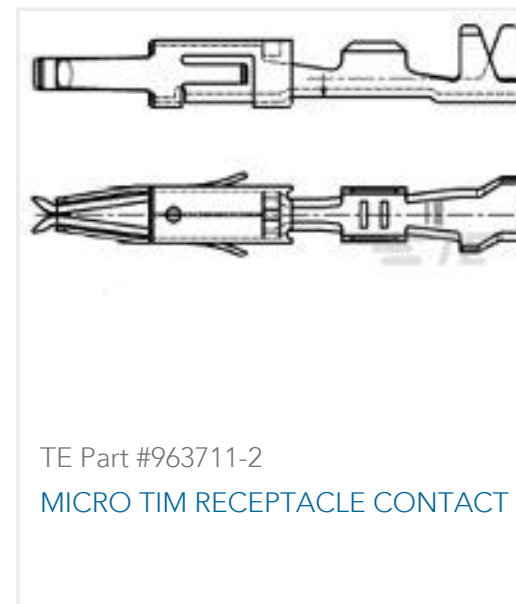
Also in the Series | Junior Power Timer



Also in the Series | Micro Timer II



Customers Also Bought



Documents

Product Drawings

MICRO-T2/JPT GEH42P

English

CAD Files

3D PDF

English

Customer View Model

[ENG_CVM_1-967281-1_B1.2d_dxf.zip](#)

English

Customer View Model

[ENG_CVM_1-967281-1_B1.3d_igs.zip](#)

English

Customer View Model

[ENG_CVM_1-967281-1_B1.3d_stp.zip](#)

English

By downloading the CAD file I accept and agree to the [Terms and Conditions](#) of use.

Datasheets & Catalog Pages

889759_3_Timer_Interconnection_System

English