



MQS

TE Internal #: 1-967584-3

12 V, 4 Position, Automotive Housing for Male Terminals, Wire-to-Wire, 6.2 mm [.244 in] Centerline, Sealable, Black, Wire & Cable, Signal

[View on TE.com >](#)

Automotive Parts > Automotive Connectors > Automotive Housings > MQS 0.63mm Sealed Connectors



Nominal Voltage Architecture: 12 V

Connector & Housing Type: **Housing for Male Terminals**

Number of Positions: 4

Sealable: **Yes**

Operating Temperature Range: -40 – 120 °C [-40 – 248 °F]

[All MQS 0.63mm Sealed Connectors \(37\)](#)

Features

Product Type Features

Mixed & Hybrid Connector	No
Connector Shape	Rectangular
Connector & Housing Type	Housing for Male Terminals
Sealable	Yes
Primary Locking Feature	Locking Lance
Connector System	Wire-to-Wire
Connector & Contact Terminates To	Wire & Cable

Configuration Features

Number of Positions	4
Number of Rows	2

Electrical Characteristics

Operating Voltage	24 VDC
-------------------	--------



Nominal Voltage Architecture	12 V
------------------------------	------

Body Features

Cable Exit Angle	180 °
Primary Product Color	Black
Connector & Keying Code	A

Contact Features

Contact Size	.64mm
Contact Type	Tab
Mating Tab Width	.64 mm[.02 in]
Contact Current Rating (Max)	7.5 A

Mechanical Attachment

Strain Relief	Without
Terminal Position Assurance	Yes
Mating Alignment Type	Keyed
Mating Alignment	With
Connector Mounting Type	Cable Mount (Free-Hanging)

Housing Features

Housing Material	PBT GF15
Centerline (Pitch)	6.2 mm[.244 in]

Dimensions

Row-to-Row Spacing	2.54 mm[.1 in]
Product Width	40.1 mm[1.58 in]
Product Length	20.5 mm[.768 in]
Connector Height	12.78 mm[.503 in]

Usage Conditions

Operating Temperature Range	-40 – 120 °C[-40 – 248 °F]
Operating Temperature (Max)	120 °C[248 °F]

Operation/Application

Circuit Application	Signal
---------------------	--------

Industry Standards

IP Rating	IP69K
-----------	-------

Packaging Features



Packaging Method	Bag
------------------	-----

Other

Serviceable	Yes
Connector Position Assurance Capable	No

Product Compliance

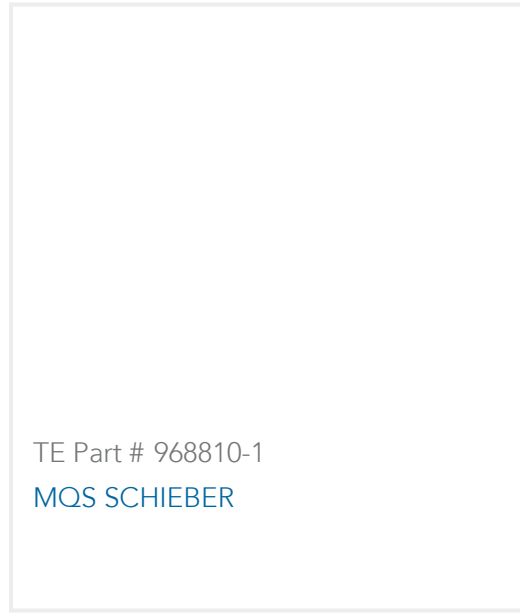
[For compliance documentation, visit the product page on TE.com>](#)

EU RoHS Directive 2011/65/EU	Compliant
EU ELV Directive 2000/53/EC	Compliant
China RoHS 2 Directive MIIT Order No 32, 2016	有害物质含量符合标准要求 No Restricted Substance(s) Above Threshold
EU REACH Regulation (EC) No. 1907/2006	Current ECHA Candidate List: JUNE 2025 (250) Candidate List Declared Against: JUNE 2025 (250) Does not contain REACH SVHC
Halogen Content	Low Halogen - Br, Cl, F < 900 ppm per homogenous material. Also BFR/CFR/PVC Free
Solder Process Capability	Not applicable for solder process capability

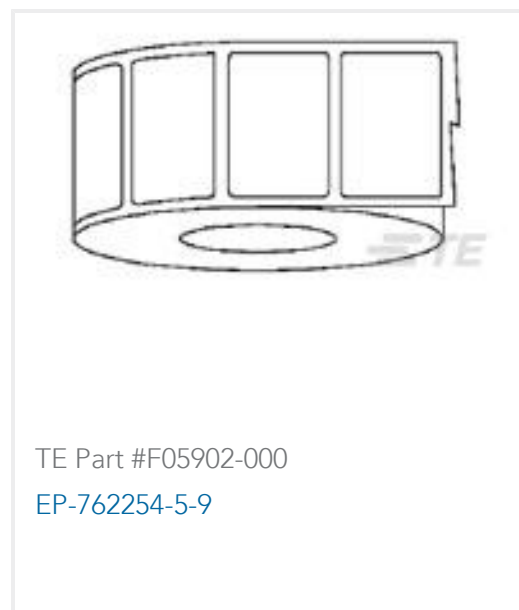
Product Compliance Disclaimer

This information is provided based on reasonable inquiry of our suppliers and represents our current actual knowledge based on the information they provided. This information is subject to change. The part numbers that TE has identified as EU RoHS compliant have a maximum concentration of 0.1% by weight in homogenous materials for lead, hexavalent chromium, mercury, PBB, PBDE, DBP, BBP, DEHP, DIBP, and 0.01% for cadmium, or qualify for an exemption to these limits as defined in the Annexes of Directive 2011/65/EU (RoHS2). Finished electrical and electronic equipment products will be CE marked as required by Directive 2011/65/EU. Components may not be CE marked. Additionally, the part numbers that TE has identified as EU ELV compliant have a maximum concentration of 0.1% by weight in homogenous materials for lead, hexavalent chromium, and mercury, and 0.01% for cadmium, or qualify for an exemption to these limits as defined in the Annexes of Directive 2000/53/EC (ELV). Regarding the REACH Regulation, the information TE provides on SVHC in articles for this part number is based on the latest European Chemicals Agency (ECHA) 'Guidance on requirements for substances in articles' posted at this URL: <https://echa.europa.eu/guidance-documents/guidance-on-reach>

Compatible Parts



Customers Also Bought



Documents



Product Drawings

4POS MQS TAB SEALED COD A

English

CAD Files

3D PDF

3D

Customer View Model

[ENG_CVM_CVM_1-967584-3_B_c-1-967584-3-b.2d_dxf.zip](#)

English

Customer View Model

[ENG_CVM_CVM_1-967584-3_B_c-1-967584-3-b.3d_igs.zip](#)

English

Customer View Model

[ENG_CVM_CVM_1-967584-3_B_c-1-967584-3-b.3d_stp.zip](#)

English

By downloading the CAD file I accept and agree to the [Terms and Conditions](#) of use.

Product Specifications

Application Specification

English