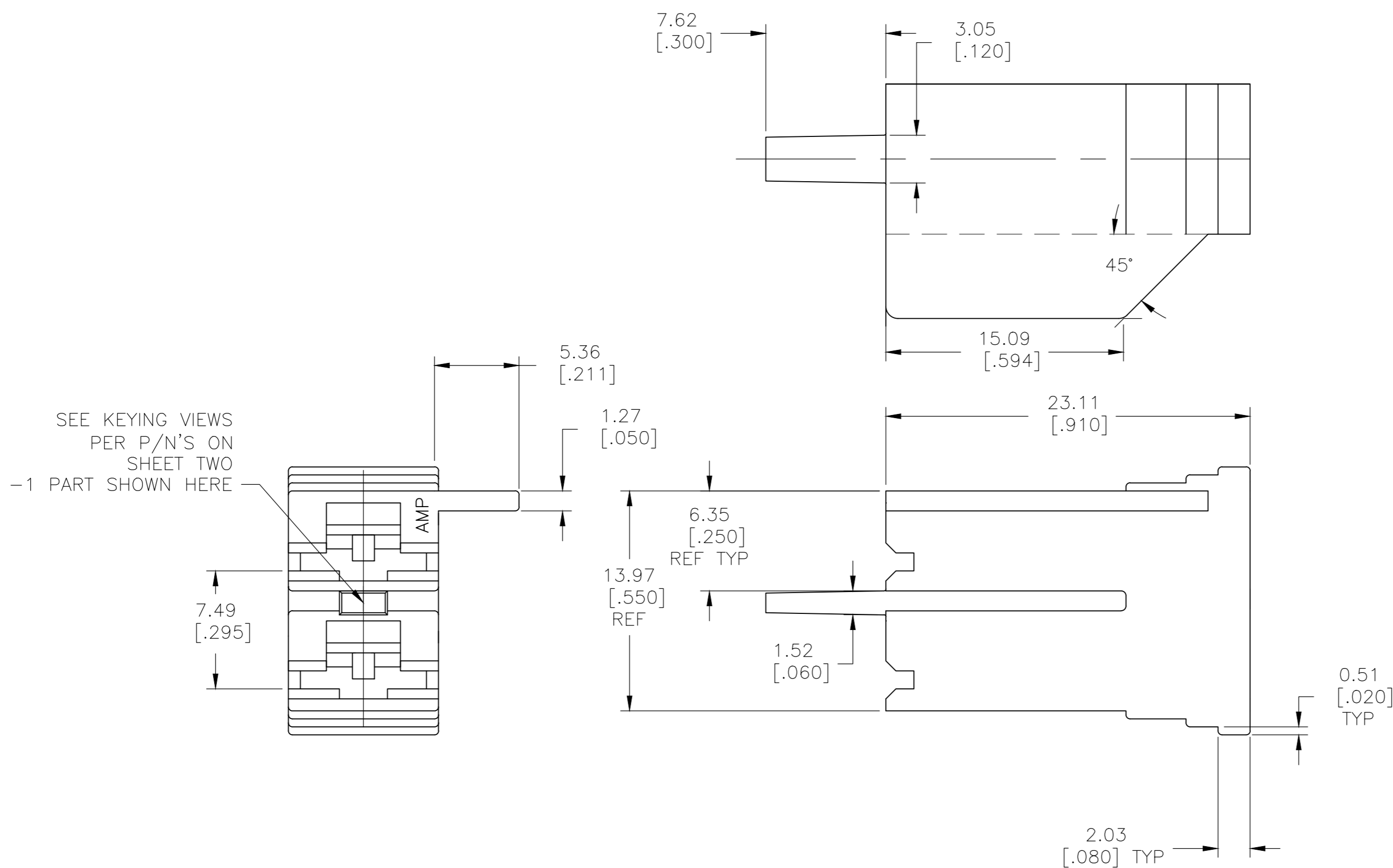
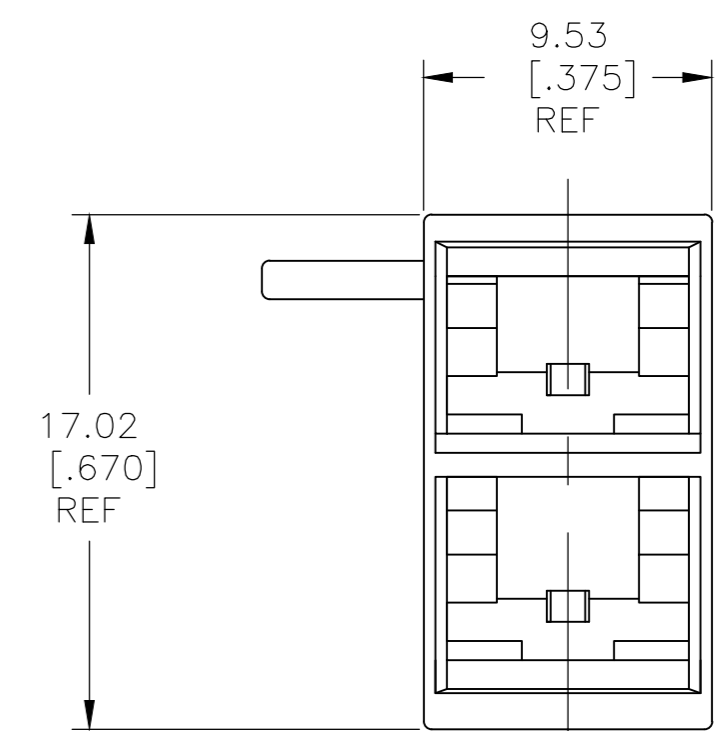


THIS DRAWING IS UNPUBLISHED. RELEASED FOR PUBLICATION  
 © COPYRIGHT - TE Connectivity Ltd. ALL RIGHTS RESERVED.

REVISIONS					
P	LTR	DESCRIPTION	DATE	DWN	APVD
A6		REVISED PER ECR-18-005844	17APR2018	RS	DS



1 PRELIMINARY - NOT FOR PRODUCTION  
 2 OBSOLETE PARTS



COLOR	MATERIAL	PART NO
GREEN	66 Nylon V0 Green	1-1969232-4
YELLOW	66 Nylon V0 Yellow	1-1969232-3
NATURAL	66 Nylon V0 Natural	1-1969232-1
RED	66 NYLON, V0	1 1969232-5
GREEN	66 NYLON, V0	1969232-4
YELLOW	66 NYLON, V0	1969232-3
BLACK	66 NYLON, V0	1969232-2
NATURAL	66 NYLON, V0	1969232-1

THIS DRAWING IS A CONTROLLED DOCUMENT.

DWN	jr ruth	16DEC08
CHK	P DESANTIS	16DEC08
APVD	P DESANTIS	16DEC08
PRODUCT SPEC	-	
APPLICATION SPEC	-	
WEIGHT	-	-

**STE** TE Connectivity Ltd.

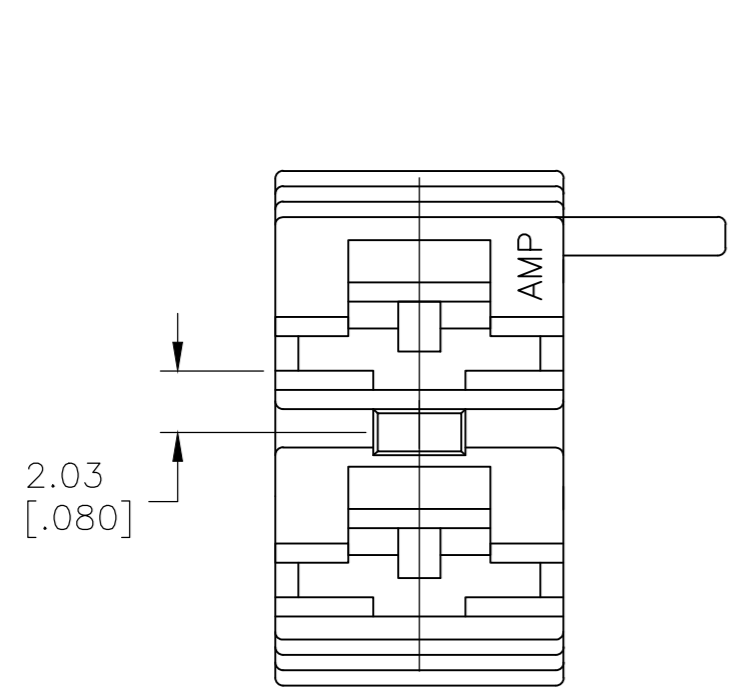
HOUSING, RECEPTACLE, FASTON, .250 SERIES, 2 CIRCUIT

SIZE	CAGE CODE	DRAWING NO	RESTRICTED TO
A2	00779	C=1969232	-

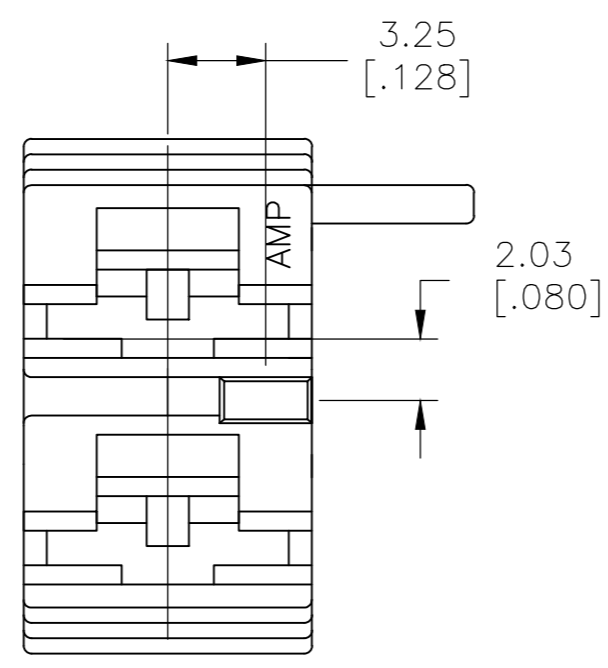
CUSTOMER DRAWING SCALE 4:1 SHEET 1 of 3 REV A6

THIS DRAWING IS UNPUBLISHED. RELEASED FOR PUBLICATION  
 © COPYRIGHT - TE Connectivity Ltd. ALL RIGHTS RESERVED.

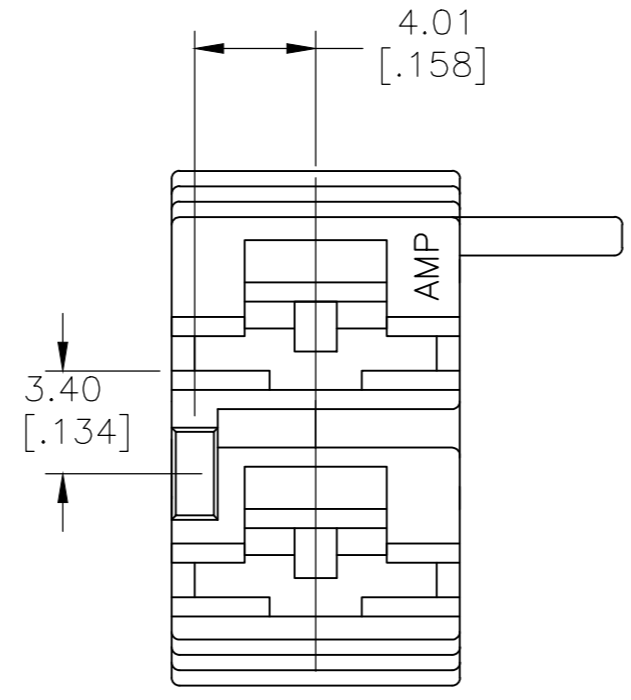
REVISIONS					
P	LTR	DESCRIPTION	DATE	DWN	APVD
-	-	SEE SHEET 1	-	-	-



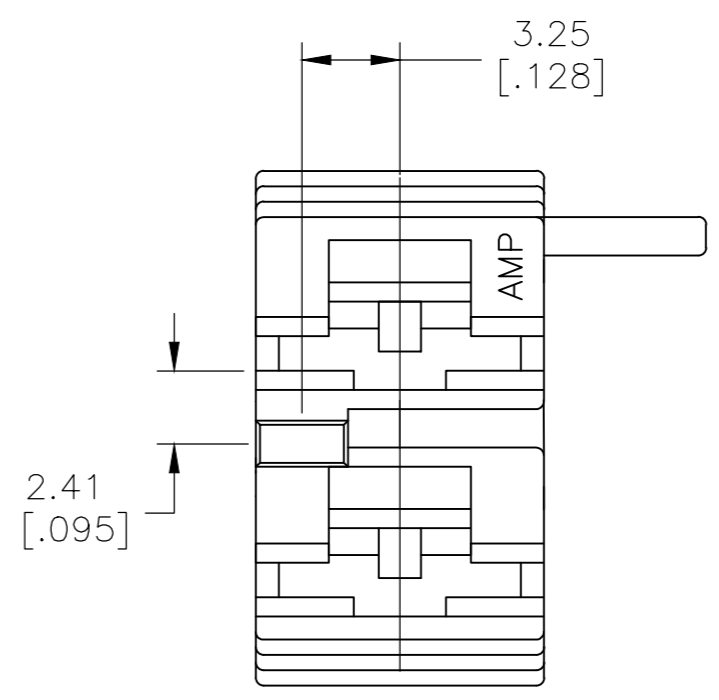
KEYING FOR -1  
TAB ENTRY VIEW  
NATURAL



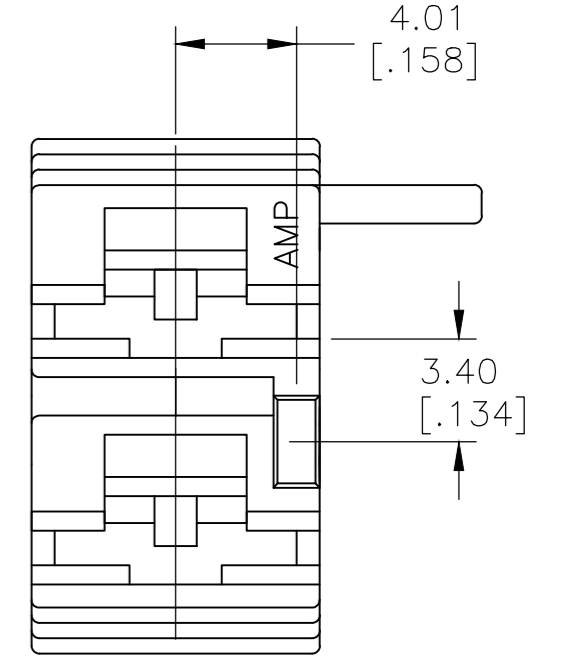
KEYING FOR -2  
TAB ENTRY VIEW  
BLACK



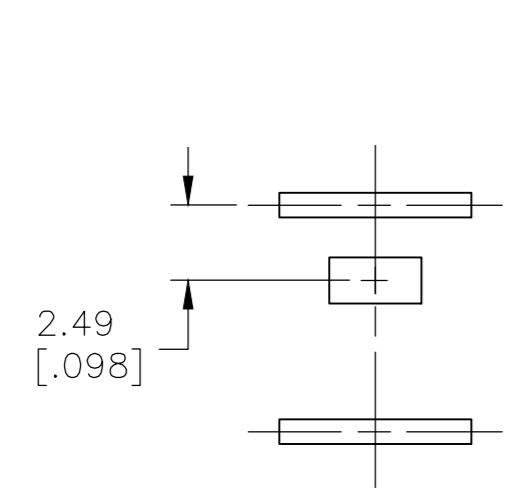
KEYING FOR -3  
TAB ENTRY VIEW  
YELLOW



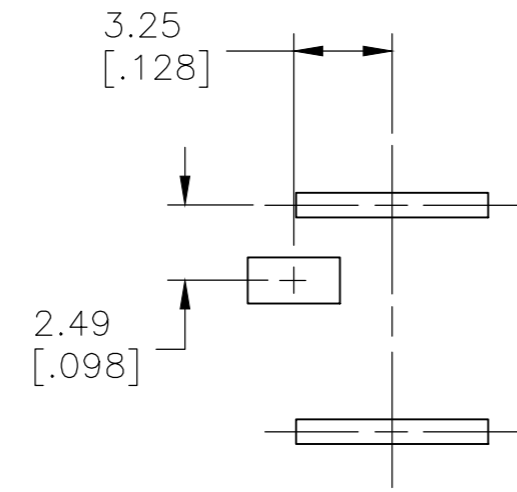
KEYING FOR -4  
TAB ENTRY VIEW  
GREEN



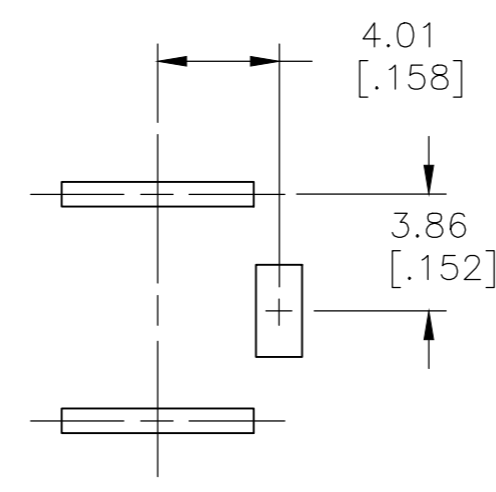
KEYING FOR -5  
TAB ENTRY VIEW  
RED



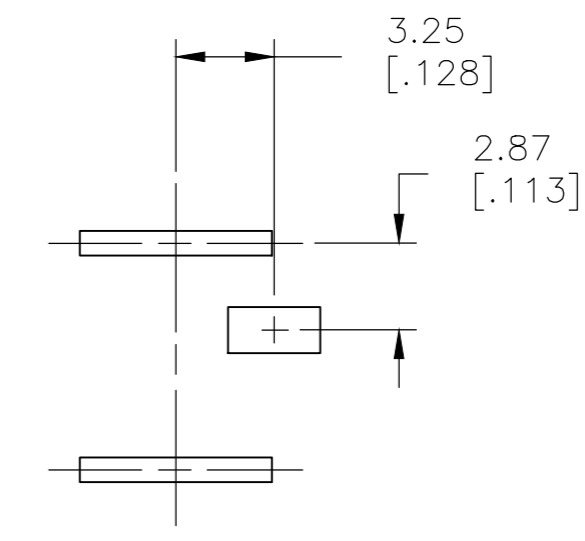
SUGGESTED  
PC BOARD  
CIRCUIT FOR  
1969232-1



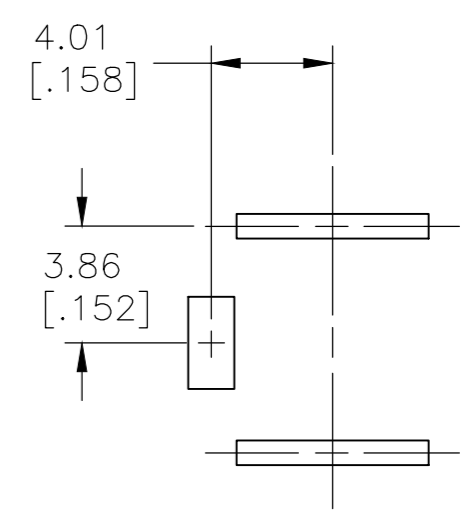
SUGGESTED  
PC BOARD  
CIRCUIT FOR  
1969232-2



SUGGESTED  
PC BOARD  
CIRCUIT FOR  
1969232-3



SUGGESTED  
PC BOARD  
CIRCUIT FOR  
1969232-4



SUGGESTED  
PC BOARD  
CIRCUIT FOR  
1969232-5

1969232

THIS DRAWING IS A CONTROLLED DOCUMENT.		DWN jr ruth 16DEC08	TE Connectivity Ltd.	
DIMENSIONS: mm [INCHES]		CHK P DESANTIS 16DEC08		
TOLERANCES UNLESS OTHERWISE SPECIFIED:		APVD P DESANTIS 16DEC08	NAME HOUSING, RECEPTACLE, FASTON, .250 SERIES, 2 CIRCUIT	
0 PLC ± - 1 PLC ± - 2 PLC ± 0.25 [.010] 3 PLC ± - 4 PLC ± - ANGLES ± 5°		PRODUCT SPEC -	SIZE A2	
MATERIAL SEE TABLE		FINISH SEE TABLE	APPLICATION SPEC -	CAGE CODE 00779
		WEIGHT -	DRAWING NO C=1969232	RESTRICTED TO -
		CUSTOMER DRAWING	SCALE 4:1	SHEET 2 of 3
			REV A6	