

**AMPLIMITE**

TE Internal #: 206805-2

50 Position D-Shaped Connector, Receptacle, Cable-to-Cable,
Panel Mount, Shell Size 5, 2.77 mm [.109 in] Centerline, Wire &
Cable, Signal

[View on TE.com >](#)

Connectors > D-Shaped Connectors

Number of Positions: **50**Connector & Housing Type: **Receptacle**Connector System: **Cable-to-Cable**Connector Mounting Type: **Panel Mount**Connector Shell Size: **5****Features****Product Type Features**

Connector & Housing Type	Receptacle
Connector System	Cable-to-Cable
Connector Shell Size	5
Sealable	No
Connector & Contact Terminates To	Wire & Cable

Configuration Features

Number of Positions	50
Power/Signal/Coax Combination	No

Body Features

Front Shell Material	Brass
Mating Retention Feature Material	Copper Alloy
D-Sub Connector Insert Arrangement	MS18277-1
Rear Shell Plating Material	Gold
Rear Shell Material	Brass
Front Shell Plating Material	Gold

Contact Features

Contact Type	Socket
Contact Size	Size 20



Contact Current Rating (Max)	7.5 A
Contact Options	Order Separately

Termination Features

Termination Method to Wire & Cable	Crimp
------------------------------------	-------

Mechanical Attachment

Mounting Hole Diameter	3.05 mm [.12 in]
Connector Mounting Type	Panel Mount
Mating Alignment	Without

Housing Features

Centerline (Pitch)	2.77 mm [.109 in]
--------------------	-------------------

Usage Conditions

Operating Temperature Range	-55 – 125 °C [-67 – 257 °F]
-----------------------------	-----------------------------

Operation/Application

Circuit Application	Signal
---------------------	--------

Packaging Features

Packaging Method	Package
------------------	---------

Product Compliance

[For compliance documentation, visit the product page on TE.com>](#)

EU RoHS Directive 2011/65/EU	Compliant
EU ELV Directive 2000/53/EC	Compliant
China RoHS 2 Directive MIIT Order No 32, 2016	No Restricted Materials Above Threshold
EU REACH Regulation (EC) No. 1907/2006	Current ECHA Candidate List: JUNE 2025 (250) Candidate List Declared Against: JAN 2024 (240) SVHC > Threshold: Pb (1% in Component) Article Safe Usage Statements: Do not eat, drink or smoke when using this product. Wash thoroughly after handling. Recycle if possible and dispose of the article by following all applicable governmental regulations relevant to your geographic location.
Halogen Content	Not Low Halogen - contains Br or Cl > 900 ppm.
Solder Process Capability	Wave solder capable to 265°C

Product Compliance Disclaimer

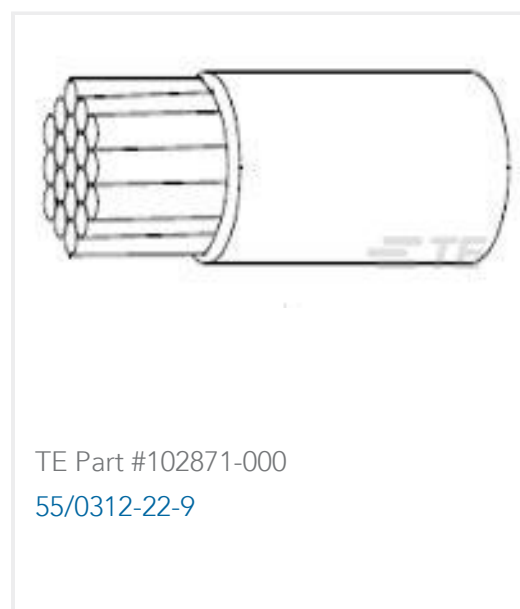


This information is provided based on reasonable inquiry of our suppliers and represents our current actual knowledge based on the information they provided. This information is subject to change. The part numbers that TE has identified as EU RoHS compliant have a maximum concentration of 0.1% by weight in homogenous materials for lead, hexavalent chromium, mercury, PBB, PBDE, DBP, BBP, DEHP, DIBP, and 0.01% for cadmium, or qualify for an exemption to these limits as defined in the Annexes of Directive 2011/65/EU (RoHS2). Finished electrical and electronic equipment products will be CE marked as required by Directive 2011/65/EU. Components may not be CE marked. Additionally, the part numbers that TE has identified as EU ELV compliant have a maximum concentration of 0.1% by weight in homogenous materials for lead, hexavalent chromium, and mercury, and 0.01% for cadmium, or qualify for an exemption to these limits as defined in the Annexes of Directive 2000/53/EC (ELV). Regarding the REACH Regulation, the information TE provides on SVHC in articles for this part number is based on the latest European Chemicals Agency (ECHA) 'Guidance on requirements for substances in articles' posted at this URL: <https://echa.europa.eu/guidance-documents/guidance-on-reach>

Compatible Parts



Customers Also Bought





TE Part #206802-2
PLUG ASSY,37 POSN,AMPLIMITE



TE Part #206803-2
AMPLIMITE RECEPT ASY,37 POS,

Documents

Product Drawings

[AMPLIMITE RECEPT ASY,50 POS,](#)

English

CAD Files

[3D PDF](#)

3D

Customer View Model

[ENG_CVM_CVM_206805-2_AG.2d_dxf.zip](#)

English

Customer View Model

[ENG_CVM_CVM_206805-2_AG.3d_igs.zip](#)

English

Customer View Model

[ENG_CVM_CVM_206805-2_AG.3d_stp.zip](#)

English

By downloading the CAD file I accept and agree to the [Terms and Conditions](#) of use.