



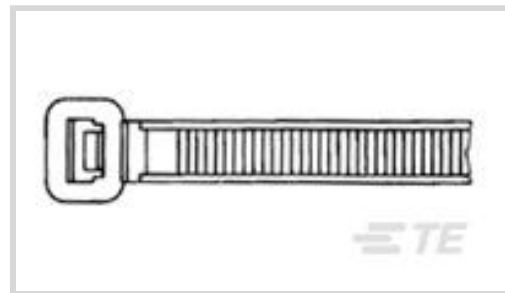
AMP-TY

TE Internal #: 2-160965-2

TE Internal Description: CABLE TY 75X2,2 BLA

[View on TE.com >](#)

Wire & Cable > Wire & Cable Accessories > Cable Ties



Cable Tie Style: **Standard**

Packaging Method: **Bag**

Tensile Strength: **60 lbf**

Product Length: **75 mm [3.07 in]**

Product Width: **2.2 mm [.087 in]**

Features

Product Type Features

Cable Tie Style	Standard
Tensile Strength	60 lbf

Body Features

Primary Product Color	Black
Primary Product Material	Polyamide 6.6 GF

Dimensions

Compatible Cable Bundle Diameter Range	15 mm[.6 in]
Product Length	75 mm[3.07 in]
Product Width	2.2 mm[.087 in]
Product Thickness	.82 mm[.032 in]

Packaging Features

Packaging Method	Bag
Packaging Quantity	100

Product Compliance

[For compliance documentation, visit the product page on TE.com>](#)

EU RoHS Directive 2011/65/EU	Compliant
EU ELV Directive 2000/53/EC	Compliant
China RoHS 2 Directive MIIT Order No 32, 2016	No Restricted Materials Above Threshold

EU REACH Regulation (EC) No. 1907/2006

Current ECHA Candidate List: JAN 2025 (247)

Candidate List Declared Against: JUNE 2024 (241)

Does not contain REACH SVHC

Halogen Content

Low Halogen - Br, Cl, F, I < 900 ppm per homogenous material. Also BFR/CFR/PVC Free

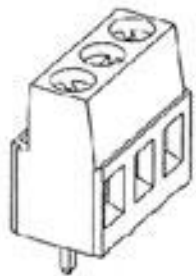
Solder Process Capability

Not applicable for solder process capability

Product Compliance Disclaimer

This information is provided based on reasonable inquiry of our suppliers and represents our current actual knowledge based on the information they provided. This information is subject to change. The part numbers that TE has identified as EU RoHS compliant have a maximum concentration of 0.1% by weight in homogenous materials for lead, hexavalent chromium, mercury, PBB, PBDE, DBP, BBP, DEHP, DIBP, and 0.01% for cadmium, or qualify for an exemption to these limits as defined in the Annexes of Directive 2011/65/EU (RoHS2). Finished electrical and electronic equipment products will be CE marked as required by Directive 2011/65/EU. Components may not be CE marked. Additionally, the part numbers that TE has identified as EU ELV compliant have a maximum concentration of 0.1% by weight in homogenous materials for lead, hexavalent chromium, and mercury, and 0.01% for cadmium, or qualify for an exemption to these limits as defined in the Annexes of Directive 2000/53/EC (ELV). Regarding the REACH Regulation, the information TE provides on SVHC in articles for this part number is based on the latest European Chemicals Agency (ECHA) 'Guidance on requirements for substances in articles' posted at this URL: <https://echa.europa.eu/guidance-documents/guidance-on-reach>

Customers Also Bought



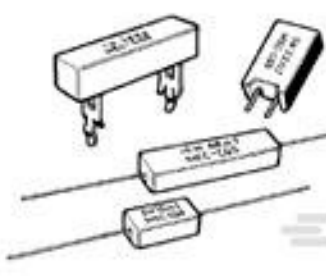
TE Part #282858-8
8P. TERMI-BLOK PCB MOUNT 90



TE Part #2-1423675-0
W57-XB2A99C10-5=CKTBKR,THERM,P



TE Part #3-1623730-4
BCHE 4 W 510R 5%



TE Part #2-1623789-7
SQM7 1R8 5% (WIRE)



TE Part #7-1879350-6
RR01 5% 300R AMMO



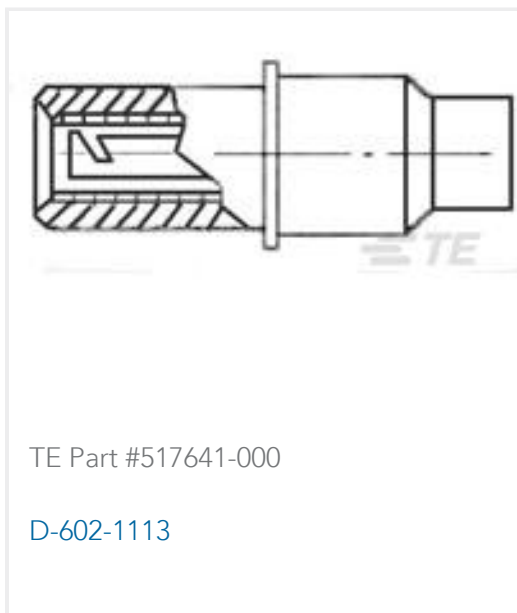
TE Part #3-1969541-2
RETAINER, TPA, DUAL ROW, EP2.5



TE Part #5-2176349-8
CRGCQ 2512 560K 1%



TE Part #1-2176406-8
3560 5R1 1%



Documents

Product Drawings

CABLE TY 75X2,2 BLA

English