

2329915-1 ✓ ACTIVE

[Power Versa-Lock](#) | [Power Versa-Lock 5.0](#)

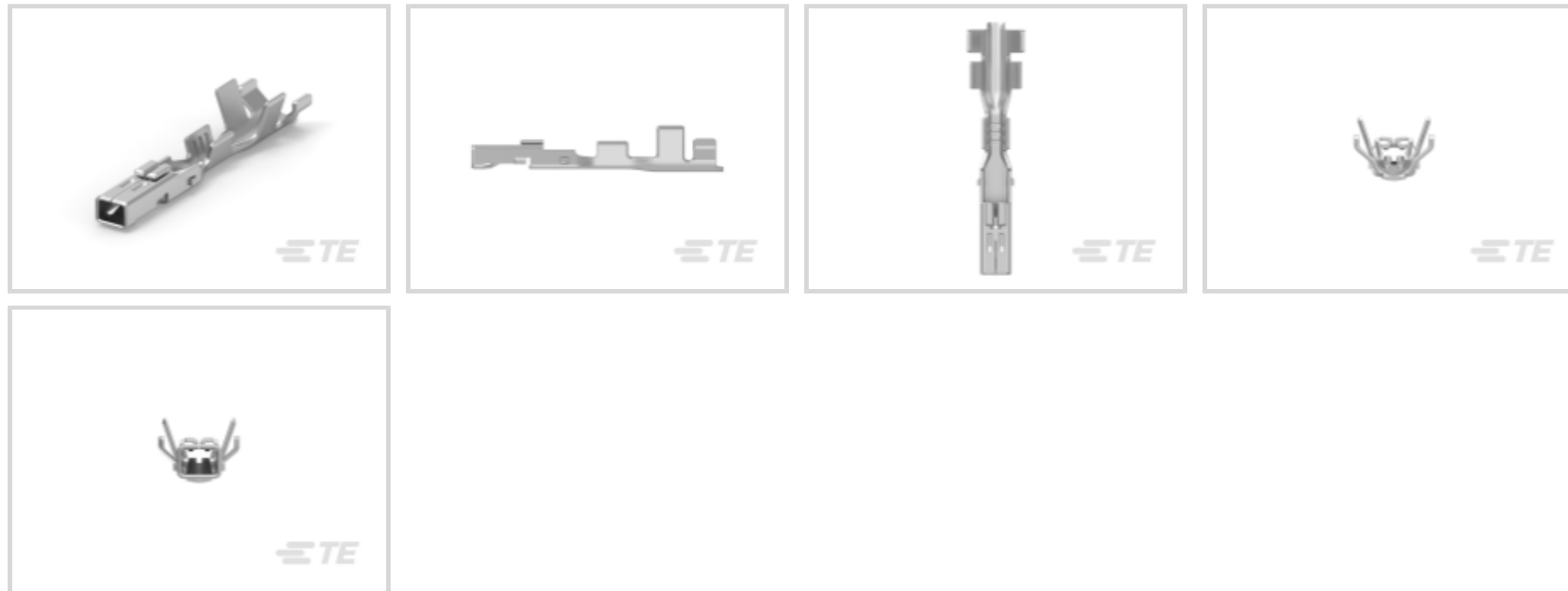
TE Internal #: 2329915-1

Receptacle Contact, Tin (Sn), 600 VAC, 600 VDC, 26 – 22 AWG, .13  
– .3 mm<sup>2</sup> Wire, Crimp, Copper Alloy, Power, Power Versa-Lock 5.0

[View on TE.com >](#)



Connectors > Contacts > Connector Contacts



Contact Type: **Receptacle**

Contact Mating Area Plating Material: **Tin (Sn)**

Wire Contact Termination Area Plating Material: **Pre-Tin**

Operating Voltage: **600 VDC**

## Features

### Product Type Features

Discrete Wire Type	Stranded
Sealable	No

### Electrical Characteristics

Operating Voltage	600 VDC
-------------------	---------

### Contact Features

Contact Type	Receptacle
Contact Mating Area Plating Material	Tin (Sn)
Wire Contact Termination Area Plating Material	Pre-Tin
Contact Retention Within Housing	Without
Contact Base Material	Copper Alloy
Contact Current Rating (Max)	5 A
Mating Tab Width	1.5 mm[.06 in]
Mating Tab Thickness	.5 mm[.02 in]
Contact Orientation	Straight

### Termination Features



Termination Method to Wire & Cable	Crimp
------------------------------------	-------

Product Terminates To	Wire & Cable
-----------------------	--------------

### Mechanical Attachment

Carrier Strip Mount Orientation	Side Feed
---------------------------------	-----------

Wire Insulation Support	With
-------------------------	------

### Dimensions

Wire Size	.13 – .3 mm <sup>2</sup>
-----------	--------------------------

Compatible Insulation Diameter Range	1.3 – 2.1 mm [.051 – .083 in]
--------------------------------------	-------------------------------

### Usage Conditions

Operating Temperature Range	-30 – 140 °C [-22 – 284 °F]
-----------------------------	-----------------------------

### Operation/Application

Circuit Application	Power
---------------------	-------

### Packaging Features

Packaging Method	Reel
------------------	------

## Product Compliance

[For compliance documentation, visit the product page on TE.com>](#)

EU RoHS Directive 2011/65/EU	Compliant
------------------------------	-----------

EU ELV Directive 2000/53/EC	Compliant
-----------------------------	-----------

China RoHS 2 Directive MIIT Order No 32, 2016	No Restricted Materials Above Threshold
---	---

EU REACH Regulation (EC) No. 1907/2006	Current ECHA Candidate List: JAN 2025 (247) Candidate List Declared Against: JAN 2025 (247) Does not contain REACH SVHC
--	---

Halogen Content	Low Halogen - Br, Cl, F, I < 900 ppm per homogenous material. Also BFR/CFR/PVC Free
-----------------	---

Solder Process Capability	Not reviewed for solder process capability
---------------------------	--

#### Product Compliance Disclaimer

This information is provided based on reasonable inquiry of our suppliers and represents our current actual knowledge based on the information they provided. This information is subject to change. The part numbers that TE has identified as EU RoHS compliant have a maximum concentration of 0.1% by weight in homogenous materials for lead, hexavalent chromium, mercury, PBB, PBDE, DBP, BBP, DEHP, DIBP, and 0.01% for cadmium, or qualify for an exemption to these limits as defined in the Annexes of Directive 2011/65/EU (RoHS2). Finished electrical and electronic equipment products will be CE marked as required by Directive 2011/65/EU. Components may not be CE marked. Additionally, the part numbers that TE has identified as EU ELV compliant have a maximum concentration of 0.1% by weight in homogenous materials for lead, hexavalent chromium, and mercury, and 0.01% for cadmium, or qualify for an exemption to these limits

as defined in the Annexes of Directive 2000/53/EC (ELV). Regarding the REACH Regulation, the information TE provides on SVHC in articles for this part number is based on the latest European Chemicals Agency (ECHA) 'Guidance on requirements for substances in articles' posted at this URL: <https://echa.europa.eu/guidance-documents/guidance-on-reach>

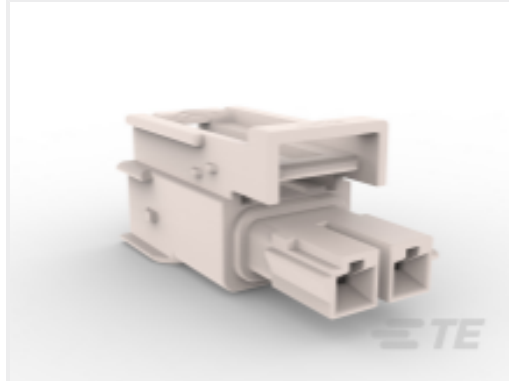
## Compatible Parts



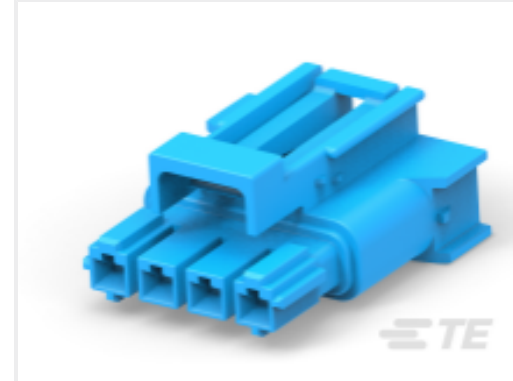
TE Part # 2373185-1  
CCII PVL REC TAB 26-24 ASSY



TE Part # 2837358-2  
OCEAN\_2.0\_Applicator-S-050F090OV-RSA



TE Part # 1-2378159-2  
Power Versa-Lock PLUG, 1X2 KEY A



TE Part # 1-2381315-4  
Power Versa-Lock PLUG, 1X4 KEY A, GWT



TE Part # 1-2381260-1  
Power Versa-Lock PLUG, 1X1 KEY A, GWT



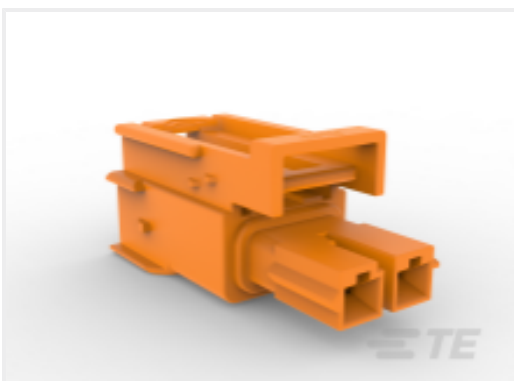
TE Part # 1-2381315-2  
Power Versa-Lock PLUG, 1X2 KEY A, GWT



TE Part # 4-2378159-2  
Power Versa-Lock PLUG, 1X2 KEY D



TE Part # 3-2336229-6  
Power Versa-Lock PLUG, 2X3 KEY C



TE Part # 5-2378159-2  
Power Versa-Lock PLUG, 1X2 KEY E



TE Part # 2-2378159-2  
Power Versa-Lock PLUG, 1X2 KEY B



TE Part # 2-2336229-6  
Power Versa-Lock PLUG, 2X3 KEY B



TE Part # 1-2378159-3  
Power Versa-Lock PLUG, 1X3 KEY A



TE Part # 2837358-1  
OCEAN\_2.0\_Applicator-S-050F090OV-RSM



TE Part # 3-2378159-2  
Power Versa-Lock PLUG, 1X2 KEY C



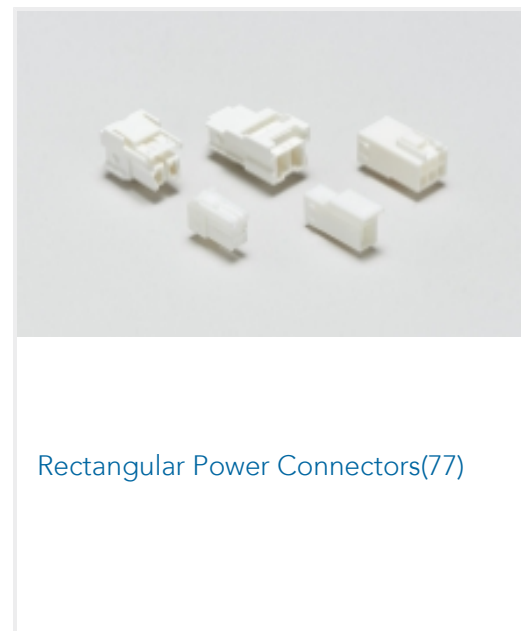
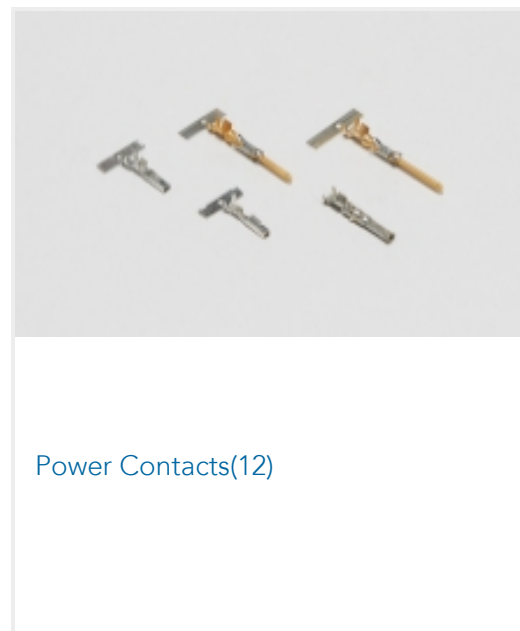
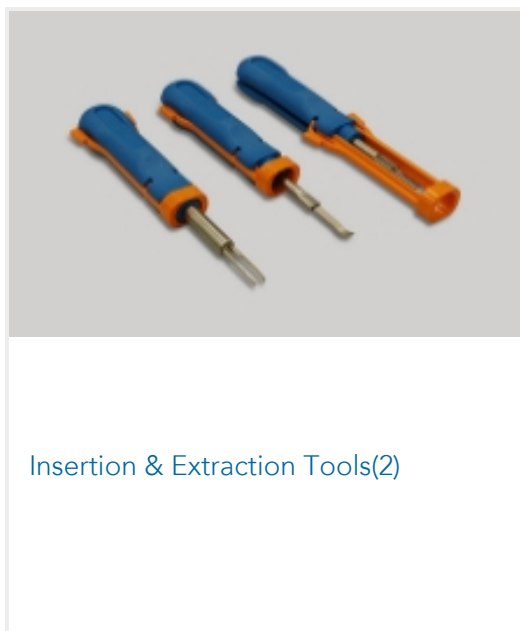
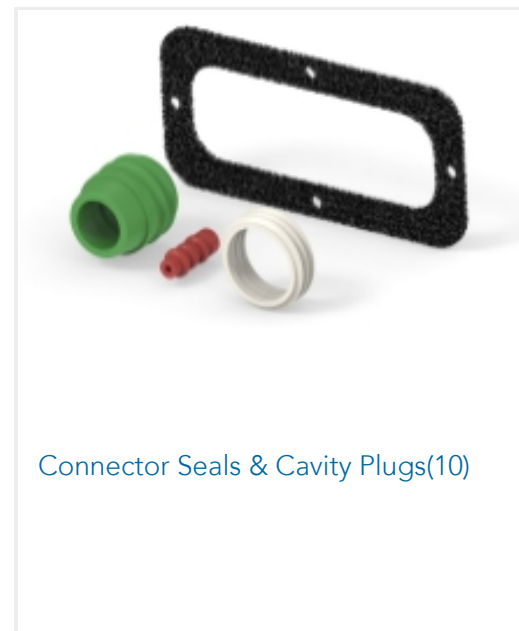
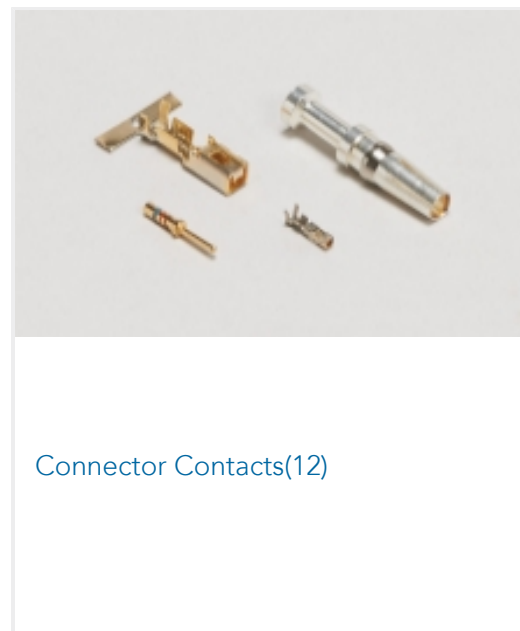
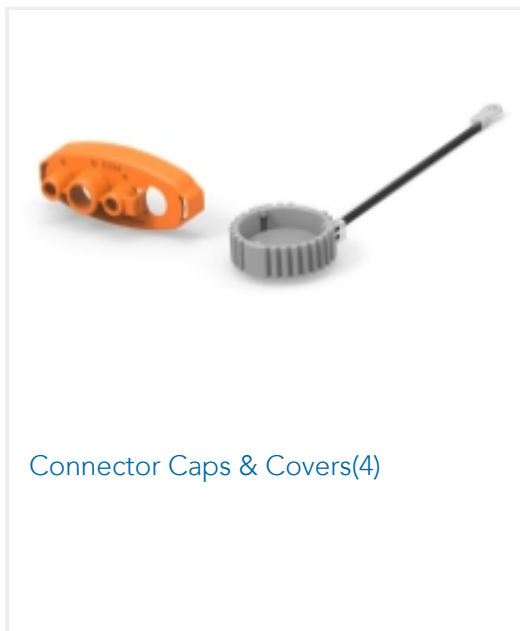
TE Part # 2-2378159-4  
Power Versa-Lock PLUG, 1X4 KEY B



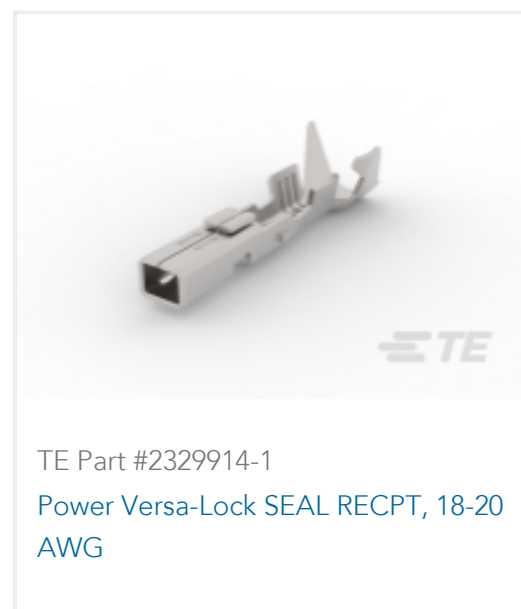
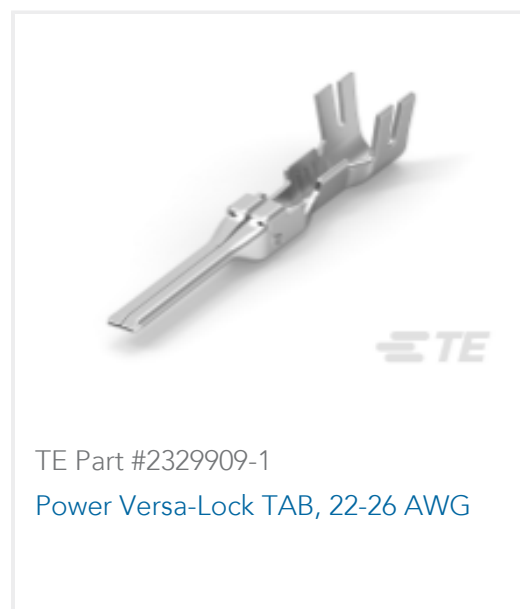
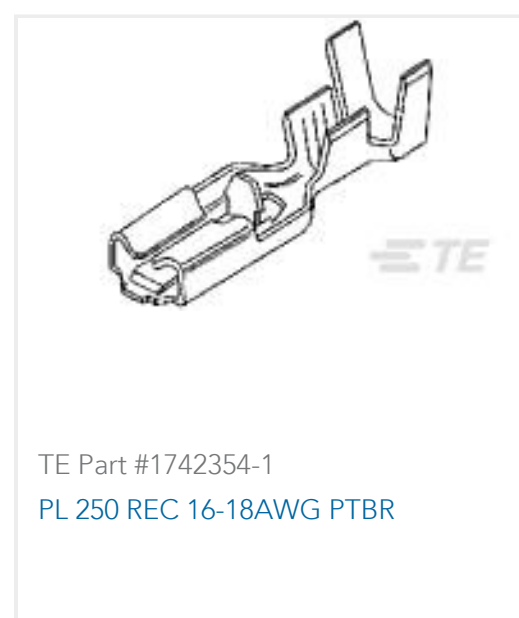
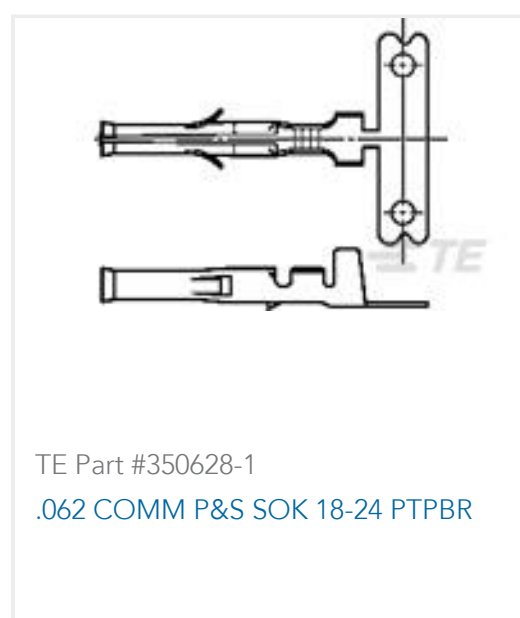
TE Part # 6-2378159-2  
Power Versa-Lock PLUG, 1X2 KEY F



## Also in the Series | Power Versa-Lock 5.0



## Customers Also Bought





## Documents

### Product Drawings

[Power Versa-Lock RECPT, 22-26 AWG](#)

English

### CAD Files

Customer View Model

[ENG\\_CVM\\_CVM\\_2329915-1\\_B.2d\\_dxf.zip](#)

English

Customer View Model

[ENG\\_CVM\\_CVM\\_2329915-1\\_B.3d\\_igs.zip](#)

English

[3D PDF](#)

3D

Customer View Model

[ENG\\_CVM\\_CVM\\_2329915-1\\_B.3d\\_stp.zip](#)

English

By downloading the CAD file I accept and agree to the [Terms and Conditions](#) of use.

### Datasheets & Catalog Pages

[power-versa-lock-connectors-0421](#)

English

### Product Specifications

[Engineering Report](#)

English

### Instruction Sheets

[Instruction Sheet \(U.S.\)](#)

English

### Agency Approvals

[VDE Certificate](#)

English