

2425741-1 ✓ ACTIVE

AMP MCP | AMP MCP Connector System, AMP MCP 2.8

TE Internal #: 2425741-1

12 V, 2 Position, Automotive Housing for Female Terminals, Wire-to-Board / Wire-to-Wire, 6 mm [.236 in] Centerline, Sealable, Black, Hybrid

[View on TE.com >](#)



Automotive Parts > Automotive Connectors > Automotive Housings



Nominal Voltage Architecture: 12 V

Connector & Housing Type: **Housing for Female Terminals**

Number of Positions: 2

Sealable: **Yes**

Operating Temperature Range: -40 – 130 °C [-40 – 266 °F]

Features

Product Type Features

Mixed & Hybrid Connector	No
Connector Shape	Rectangular
Connector & Housing Type	Housing for Female Terminals
Sealable	Yes
Primary Locking Feature	Integrated in Housing
Connector System	Wire-to-Board, Wire-to-Wire
Connector & Contact Terminates To	Wire & Cable

Configuration Features

Number of Positions	2
Number of Rows	1

Electrical Characteristics

Nominal Voltage Architecture	12 V
------------------------------	------

Body Features

Primary Product Color	Black
-----------------------	-------

Connector & Keying Code	A
-------------------------	---

Contact Features

Contact Size	2.8mm
Contact Type	Receptacle
Mating Tab Width	2.8 mm[.11 in]
Contact Current Rating (Max)	10 A

Mechanical Attachment

Terminal Position Assurance	Yes
Mating Alignment Type	Keyed
Mating Alignment	With
Connector Mounting Type	Cable Mount (Free-Hanging)

Housing Features

Housing Material	PBT GF20
Centerline (Pitch)	6 mm[.236 in]

Usage Conditions

Operating Temperature Range	-40 – 130 °C[-40 – 266 °F]
Operating Temperature (Max)	130 °C[266 °F]

Operation/Application

Circuit Application	Power
---------------------	-------

Packaging Features

Packaging Method	Package
Packaging Quantity	1

Other

Connector Position Assurance Capable	Yes
--------------------------------------	-----

Product Compliance

[For compliance documentation, visit the product page on TE.com>](#)

EU RoHS Directive 2011/65/EU	Compliant
EU ELV Directive 2000/53/EC	Compliant
China RoHS 2 Directive MIIT Order No 32, 2016	有害物质含量符合标准要求 No Restricted Substance(s) Above Threshold
EU REACH Regulation (EC) No. 1907/2006	



Current ECHA Candidate List: JUNE 2025 (250)
 Candidate List Declared Against: JUNE 2025 (250)
 Does not contain REACH SVHC

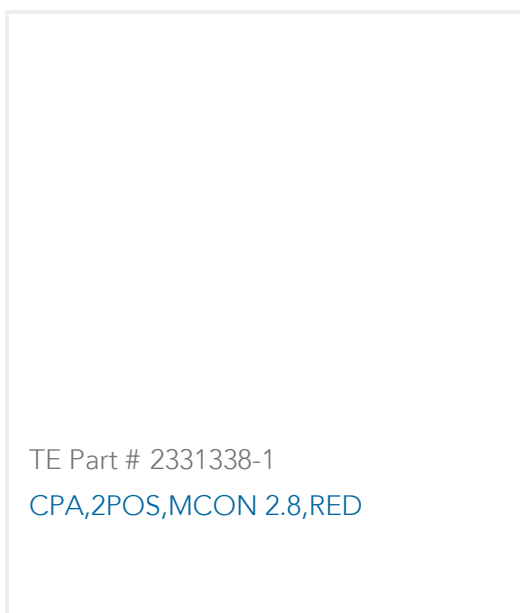
Halogen Content Low Halogen - Br, Cl, F < 900 ppm per homogenous material. Also BFR/CFR/PVC Free

Solder Process Capability Not applicable for solder process capability

Product Compliance Disclaimer

This information is provided based on reasonable inquiry of our suppliers and represents our current actual knowledge based on the information they provided. This information is subject to change. The part numbers that TE has identified as EU RoHS compliant have a maximum concentration of 0.1% by weight in homogenous materials for lead, hexavalent chromium, mercury, PBB, PBDE, DBP, BBP, DEHP, DIBP, and 0.01% for cadmium, or qualify for an exemption to these limits as defined in the Annexes of Directive 2011/65/EU (RoHS2). Finished electrical and electronic equipment products will be CE marked as required by Directive 2011/65/EU. Components may not be CE marked. Additionally, the part numbers that TE has identified as EU ELV compliant have a maximum concentration of 0.1% by weight in homogenous materials for lead, hexavalent chromium, and mercury, and 0.01% for cadmium, or qualify for an exemption to these limits as defined in the Annexes of Directive 2000/53/EC (ELV). Regarding the REACH Regulation, the information TE provides on SVHC in articles for this part number is based on the latest European Chemicals Agency (ECHA) 'Guidance on requirements for substances in articles' posted at this URL: <https://echa.europa.eu/guidance-documents/guidance-on-reach>

Compatible Parts



Also in the Series | AMP MCP 2.8



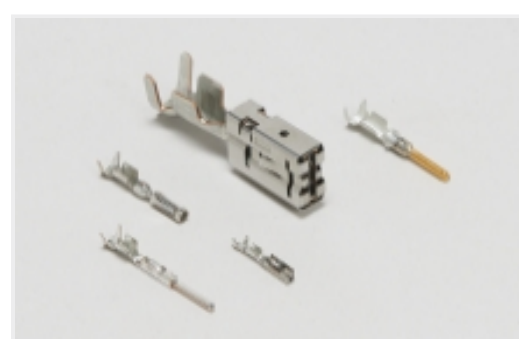
Automotive Connector Caps & Covers (28)



Automotive Housings(242)



Automotive Signal & Power Headers(5)



Automotive Terminals(7)

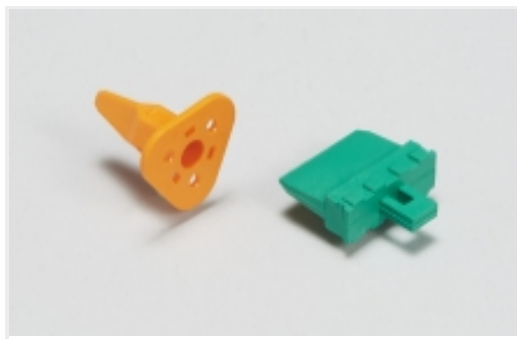


Other Automotive Connector Accessories(4)

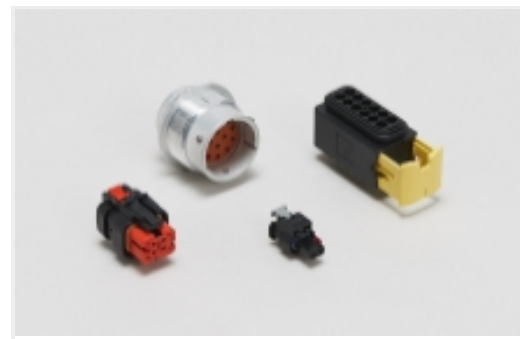


Other Hard Wired Boxes(4)

Also in the Series | **AMP MCP Connector System**



Automotive Connector Locks & Position Assurance(5)



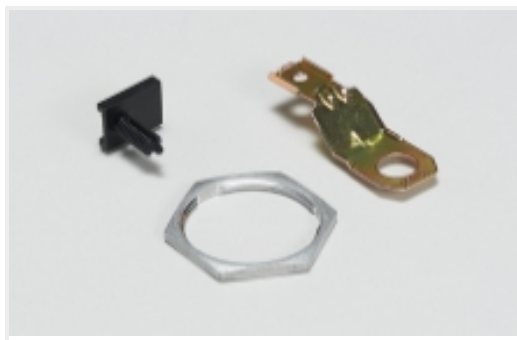
Automotive Housings(242)



Automotive Signal & Power Connector Housings(88)



Connector Seals & Cavity Plugs(6)



Other Automotive Connector Accessories(4)

Customers Also Bought



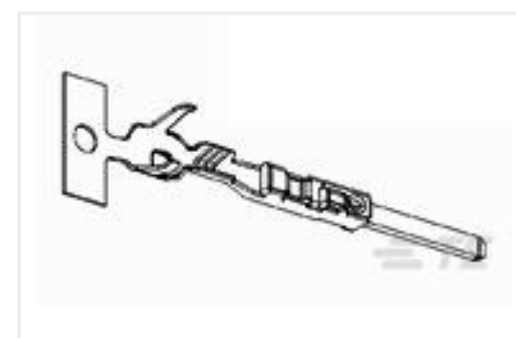
TE Part #638245-2
Receptacle Assembly, 4 position, Sealed,



TE Part #CAT-N02-MUC063
MQS 0.63mm Unsealed Connector System



TE Part #2035363-6
1X6 GENERATION Y ASSY KEYD CPA



TE Part #2141114-1
MCON 1.2 CB TAB SWS SN



TE Part #CAT-N14-NNMB12
NextGen & NextGen Plus MCON 1.2 Locking Lance Accessories



TE Part #2-2292382-1
TAB9.5X1.2 CONTACT FOR 10QMM WIRE



TE Part #2340441-2
0.5 SERIES, TERMINAL



Documents

Product Drawings

[2POS,AMP MCP 2.8K,REC HSG ASSY,SLD](#)

English

CAD Files

[3D PDF](#)

3D

Customer View Model

[ENG_CVM_CVM_2425741-1_1.2d_dxf.zip](#)

English

Customer View Model

[ENG_CVM_CVM_2425741-1_1.3d_igs.zip](#)

English

Customer View Model

[ENG_CVM_CVM_2425741-1_1.3d_stp.zip](#)

English

By downloading the CAD file I accept and agree to the [Terms and Conditions](#) of use.

Product Specifications

[Application Specification](#)

German