

3-1719434-2 ✓ ACTIVE

TE Internal #: 3-1719434-2

12 V / 24 V / 48 V, 3 Position, Automotive Housing for Female

Terminals, Wire-to-Wire, 7 mm [.276 in] Centerline, Sealable, Green,

Wire & Cable, Power

[View on TE.com >](#)



Automotive Parts > Automotive Connectors > Automotive Housings > Circular DIN Housings



Nominal Voltage Architecture: 12 V, 24 V, 48 V

Connector & Housing Type: **Housing for Female Terminals**

Number of Positions: 3

Sealable: **Yes**

Operating Temperature Range: -40 – 120 °C [-40 – 248 °F]

[All Circular DIN Housings \(59\)](#)

Features

Product Type Features

Mixed & Hybrid Connector	No
Connector Shape	Circular
Connector & Housing Type	Housing for Female Terminals
Sealable	Yes
Primary Locking Feature	Integrated in Housing
Connector System	Wire-to-Wire
Connector & Contact Terminates To	Wire & Cable

Configuration Features

Blank Cavity Position	4
Number of Positions	3
Number of Rows	2

Electrical Characteristics

Operating Voltage	48 VDC
-------------------	--------



Nominal Voltage Architecture	12 V, 24 V, 48 V
------------------------------	------------------

Body Features

Cable Exit Angle	180 °
Primary Product Color	Green
Connector & Keying Code	3

Contact Features

Contact Size	2.5mm
Contact Type	Socket
Mating Pin Diameter	2.5 mm[.098 in]

Mechanical Attachment

Strain Relief	Without
Terminal Position Assurance	No
Mating Alignment Type	Keyed
Mating Alignment	With
Connector Mounting Type	Cable Mount (Free-Hanging)

Housing Features

Housing Material	Glass-Filled PBT
Centerline (Pitch)	7 mm[.276 in]

Dimensions

Product Width	31 mm[1.22 in]
Product Length	32.8 mm[1.29 in]
Connector Height	32.8 mm[1.291 in]

Usage Conditions

Operating Temperature Range	-40 – 120 °C[-40 – 248 °F]
Operating Temperature (Max)	120 °C[248 °F]

Operation/Application

Circuit Application	Power
---------------------	-------

Industry Standards

IP Rating	IP67, IP69K
UL Flammability Rating	UL 94HB

Packaging Features



Packaging Quantity	700
Packaging Method	Box & Carton

Other

Serviceable	Yes
Connector Position Assurance Capable	No

Product Compliance

[For compliance documentation, visit the product page on TE.com>](#)

EU RoHS Directive 2011/65/EU	Compliant
EU ELV Directive 2000/53/EC	Compliant
China RoHS 2 Directive MIIT Order No 32, 2016	有害物质含量符合标准要求 No Restricted Substance(s) Above Threshold
EU REACH Regulation (EC) No. 1907/2006	Current ECHA Candidate List: JUNE 2025 (250) Candidate List Declared Against: JUNE 2025 (250) Does not contain REACH SVHC
Halogen Content	Low Halogen - Br, Cl, F < 900 ppm per homogenous material. Also BFR/CFR/PVC Free
Solder Process Capability	Not applicable for solder process capability

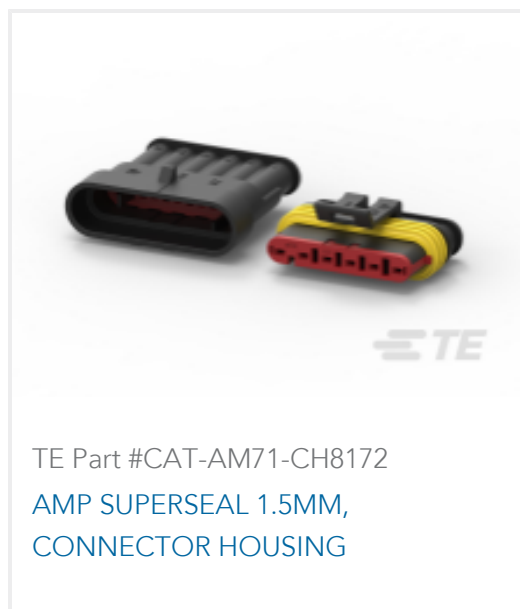
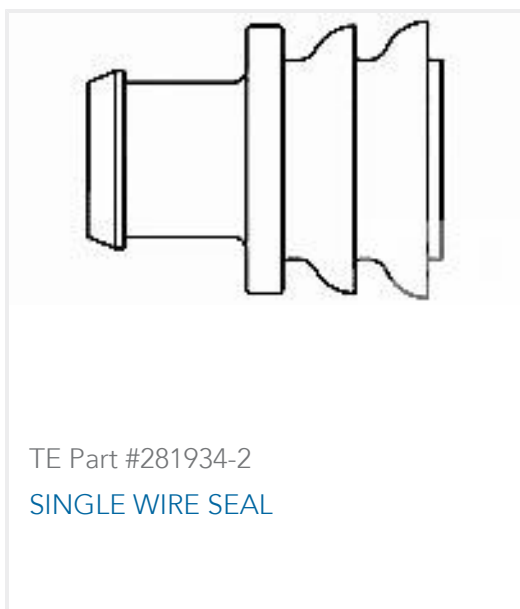
Product Compliance Disclaimer

This information is provided based on reasonable inquiry of our suppliers and represents our current actual knowledge based on the information they provided. This information is subject to change. The part numbers that TE has identified as EU RoHS compliant have a maximum concentration of 0.1% by weight in homogenous materials for lead, hexavalent chromium, mercury, PBB, PBDE, DBP, BBP, DEHP, DIBP, and 0.01% for cadmium, or qualify for an exemption to these limits as defined in the Annexes of Directive 2011/65/EU (RoHS2). Finished electrical and electronic equipment products will be CE marked as required by Directive 2011/65/EU. Components may not be CE marked. Additionally, the part numbers that TE has identified as EU ELV compliant have a maximum concentration of 0.1% by weight in homogenous materials for lead, hexavalent chromium, and mercury, and 0.01% for cadmium, or qualify for an exemption to these limits as defined in the Annexes of Directive 2000/53/EC (ELV). Regarding the REACH Regulation, the information TE provides on SVHC in articles for this part number is based on the latest European Chemicals Agency (ECHA) 'Guidance on requirements for substances in articles' posted at this URL: <https://echa.europa.eu/guidance-documents/guidance-on-reach>

Compatible Parts



Customers Also Bought



Documents



Product Drawings

4 POS DIA 2.5 SOCKET CONNECTOR HSG

English

CAD Files

3D PDF

3D

Customer View Model

[ENG_CVM_CVM_3-1719434-2_B_c-3-1719434-2-b.2d_dxf.zip](#)

English

Customer View Model

[ENG_CVM_CVM_3-1719434-2_B_c-3-1719434-2-b.3d_igs.zip](#)

English

Customer View Model

[ENG_CVM_CVM_3-1719434-2_B_c-3-1719434-2-b.3d_stp.zip](#)

English

By downloading the CAD file I accept and agree to the [Terms and Conditions](#) of use.

Product Specifications

Application Specification

English