



Power Relay F

TE Internal #: 3-1904131-5

Automotive Power Relay, DC, Monostable, 1 Form C SPDT-CO, 40 A Contact Rating, 12 VDC Coil Voltage, 12 VDC Contact Voltage, Power Relay F

[View on TE.com >](#)

Relays & Contactors > Electromechanical Relays



Relay & Contactor Type: **Automotive Power Relay**

Coil Magnetic System: **Monostable**

Contact Arrangement: **1 Form C SPDT-CO**

Current Type: **DC**

Contact Current Rating: **40 A**

Features

Product Type Features

Relay & Contactor Type	Automotive Power Relay
------------------------	------------------------

Configuration Features

Contact Arrangement	1 Form C SPDT-CO
---------------------	------------------

Electrical Characteristics

Contact Limiting Short-Time Current	240 A
Contact Limiting Making Current	120 A
Contact Limiting Continuous Current	60 A
Contact Limiting Breaking Current	60 A
Insulation Initial Dielectric Between Open Contacts	500 Vrms
Contact Switching Load (Min)	1000mA @ 5VDC
Coil Resistance	90 Ω
Contact Current Rating	40 A
Coil Voltage Rating	12 VDC
Contact Voltage Rating	12 VDC
Coil Power Rating DC	1.6 W
Insulation Initial Dielectric Between Contacts & Coil	500 Vrms

Body Features

--	--



Product Weight	35 g[1.2 oz]
----------------	--------------

Enclosure Type	Dust Protected
----------------	----------------

Contact Features

Contact Material	Silver Alloy
------------------	--------------

Termination Features

Main Termination & Connection Type	Quick Connect Terminals
------------------------------------	-------------------------

Coil Termination & Connection Type	Quick Connect Terminals
------------------------------------	-------------------------

Mechanical Attachment

Product Mounting Feature Type	Mounting Brackets
-------------------------------	-------------------

Product Mount Type	Socket Mount
--------------------	--------------

Dimensions

Product Width	28 mm[1.102 in]
---------------	-----------------

Product Length	28 mm[1.102 in]
----------------	-----------------

Product Height	25.5 mm[1 in]
----------------	---------------

Usage Conditions

Operating Temperature Range	-40 – 125 °C[-40 – 257 °F]
-----------------------------	----------------------------

Environmental Category of Protection	RTI
--------------------------------------	-----

Environmental Ambient Temperature (Max)	125 °C[257 °F]
---	----------------

Operation/Application

Coil Magnetic System	Monostable
----------------------	------------

Current Type	DC
--------------	----

Other

Coil Power Rating Class	>1.5 – ≤3 W
-------------------------	-------------

Contact Current Class	>50 – ≤200 A
-----------------------	--------------

Height Class (Mechanical)	>22 – ≤27 mm[>.866 – ≤1.063 in]
---------------------------	---------------------------------

Length Class (Mechanical)	>22 – ≤33 mm[>.866 – ≤1.299 in]
---------------------------	---------------------------------

Width Class (Mechanical)	>22 – ≤33 mm[>.866 – ≤1.299 in]
--------------------------	---------------------------------

Product Compliance

For compliance documentation, visit the product page on [TE.com](https://www.te.com)>

EU RoHS Directive 2011/65/EU	Compliant
------------------------------	-----------

EU ELV Directive 2000/53/EC	Compliant
-----------------------------	-----------



China RoHS 2 Directive MIIT Order No 32, 2016	有害物质含量符合标准要求 No Restricted Substance(s) Above Threshold
EU REACH Regulation (EC) No. 1907/2006	Current ECHA Candidate List: JUNE 2025 (250) Candidate List Declared Against: JUNE 2025 (250) Does not contain REACH SVHC
Halogen Content	Low Halogen - Br, Cl, F < 900 ppm per homogenous material. Also BFR/CFR/PVC Free
Solder Process Capability	Not applicable for solder process capability

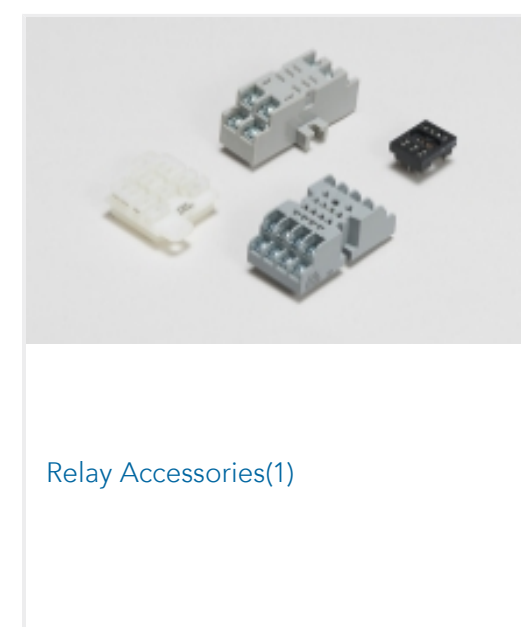
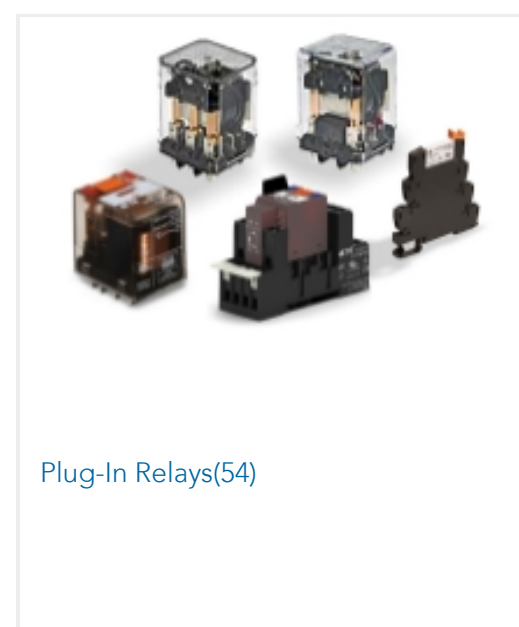
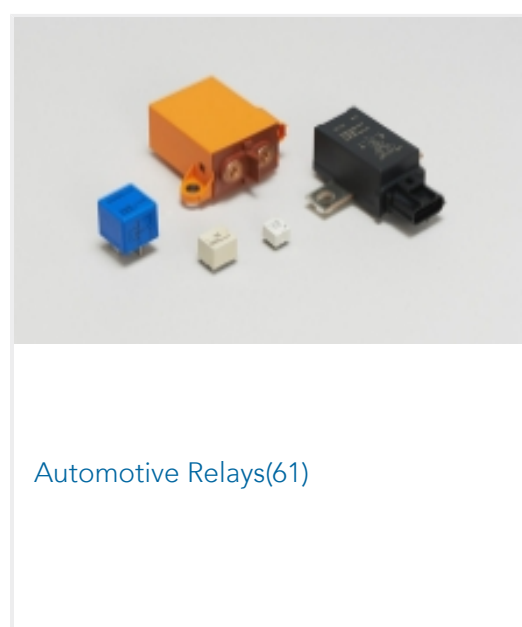
Product Compliance Disclaimer

This information is provided based on reasonable inquiry of our suppliers and represents our current actual knowledge based on the information they provided. This information is subject to change. The part numbers that TE has identified as EU RoHS compliant have a maximum concentration of 0.1% by weight in homogenous materials for lead, hexavalent chromium, mercury, PBB, PBDE, DBP, BBP, DEHP, DIBP, and 0.01% for cadmium, or qualify for an exemption to these limits as defined in the Annexes of Directive 2011/65/EU (RoHS2). Finished electrical and electronic equipment products will be CE marked as required by Directive 2011/65/EU. Components may not be CE marked. Additionally, the part numbers that TE has identified as EU ELV compliant have a maximum concentration of 0.1% by weight in homogenous materials for lead, hexavalent chromium, and mercury, and 0.01% for cadmium, or qualify for an exemption to these limits as defined in the Annexes of Directive 2000/53/EC (ELV). Regarding the REACH Regulation, the information TE provides on SVHC in articles for this part number is based on the latest European Chemicals Agency (ECHA) 'Guidance on requirements for substances in articles' posted at this URL: <https://echa.europa.eu/guidance-documents/guidance-on-reach>

Compatible Parts



Also in the Series | Power Relay F



Customers Also Bought



TE Part #121397P024
ES2000-NO.3-B8-0-STK



TE Part #HDP26-24-19SN-L017
PLG, 19P, BLK, N, RNG, 12/16, S



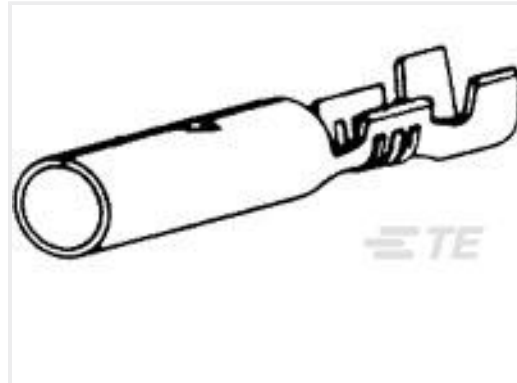
TE Part #063725P022
ES2000-NO.2-B9-0-STK



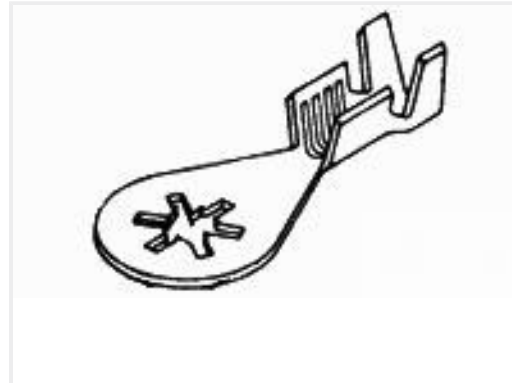
TE Part #829131P012
ES2000-NO.1-C1-0-50MM



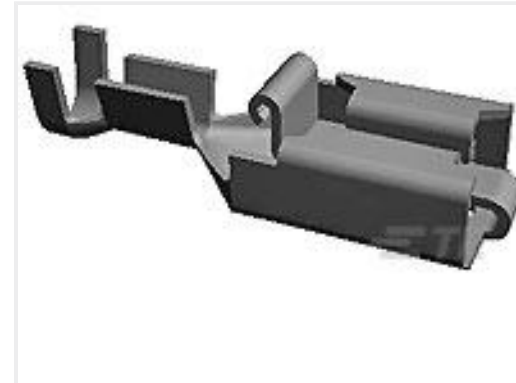
TE Part #CAT-J41-DDPC
DEUTSCH DT Plug Connectors



TE Part #60798-2
SHUR PLUG 180 RECEPTACLE 18-14
AWG BR



TE Part #61795-6
RING 18-14 AWG TPBR



TE Part #154718-3
PL 250 REC 0.7-2.0 MM2 0.406 TPBR



TE Part #0600-00039
ANT,2.4GHZ,5.0DBI SWIVEL, MMCX

Documents

Product Drawings

[V23134A4052X544-EV-CBOX](#)

English

CAD Files

[3D PDF](#)

3D

Customer View Model

[ENG_CVM_CVM_3-1904131-5_A.2d_dxf.zip](#)

English

Customer View Model

[ENG_CVM_CVM_3-1904131-5_A.3d_igs.zip](#)

English

Customer View Model

[ENG_CVM_CVM_3-1904131-5_A.3d_stp.zip](#)

English

By downloading the CAD file I accept and agree to the [Terms and Conditions](#) of use.

Datasheets & Catalog Pages



[Automotive Relay Application Notes](#)

English

[Shrouded Power Relay F4, Mini ISO, Plug-In](#)

English

[Product Specifications](#)

[Definitions General Purpose Relays](#)

English