

3-640604-6 ✓ ACTIVE



MTA 156

TE Internal #: 3-640604-6

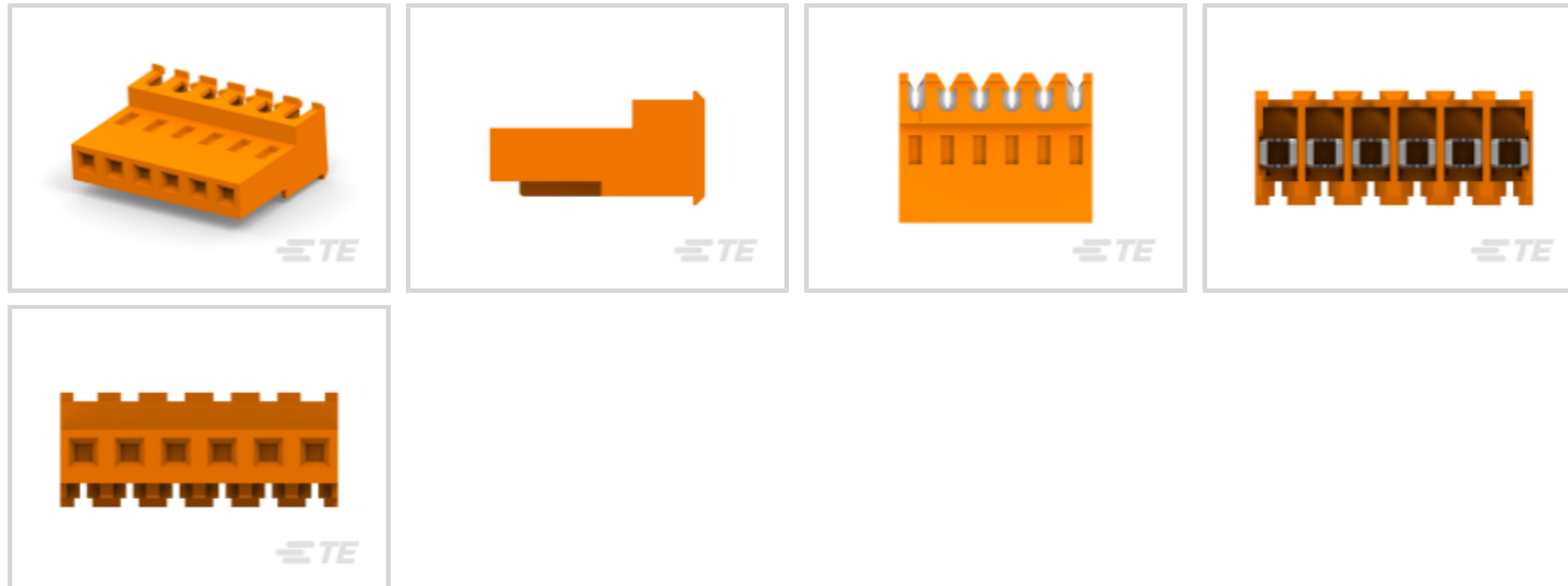
6 Position, Receptacle, Connector Assembly, Insulation

Displacement (IDC), Wire-to-Board, Tin (Sn), Normal, UL 94V-2,

MTA 156

[View on TE.com >](#)

Connectors > Rectangular Connectors > Standard Rectangular Connectors



Connector Product Type: **Connector Assembly**

Mating Alignment: **Without**

Connector & Housing Type: **Receptacle**

Mating Retention Type: **Locking Ramp**

Connector System: **Wire-to-Board**

Features

Product Type Features

| | |
|------------------------------------|--------------------|
| Compatible With Discrete Wire Type | Stranded |
| Connector Product Type | Connector Assembly |
| Connector & Housing Type | Receptacle |
| Connector System | Wire-to-Board |
| Insertion Force Type | Normal |
| Sealable | No |
| Connector & Contact Terminates To | Wire & Cable |

Configuration Features

| | |
|---------------------|-----|
| Number of Cavities | 6 |
| Contacts Preloaded | Yes |
| Number of Positions | 6 |
| Number of Rows | 1 |

Electrical Characteristics

| | |
|-------------------|---------|
| Operating Voltage | 600 VAC |
|-------------------|---------|



Body Features

| | |
|-----------------------|--------|
| Primary Product Color | Orange |
|-----------------------|--------|

Contact Features

| | |
|--|------------|
| Contact Underplating Material | Nickel |
| Contact Mating Area Plating Material | Tin (Sn) |
| Contact Retention Within Housing | With |
| Contact Current Rating (Max) | 7 A |
| Contact Type | Receptacle |
| Wire Contact Termination Area Plating Material | Tin |

Termination Features

| | |
|------------------------------------|-------------------------------|
| Termination Method to Wire & Cable | Insulation Displacement (IDC) |
|------------------------------------|-------------------------------|

Mechanical Attachment

| | |
|---------------------------------------|----------------------------|
| Contact Retention Type Within Housing | Locking Lance |
| Mating Alignment | Without |
| Mating Retention Type | Locking Ramp |
| Mating Retention | With |
| Connector Mounting Type | Cable Mount (Free-Hanging) |

Housing Features

| | |
|--------------------|------------------|
| Centerline (Pitch) | 3.96 mm[.156 in] |
| Housing Material | Nylon |

Dimensions

| | |
|------------------|-------------------------|
| Connector Width | 9.78 mm[.385 in] |
| Connector Height | 18.42 mm[.725 in] |
| Connector Length | 23.77 mm[.936 in] |
| Wire Size | .8 – .9 mm ² |

Usage Conditions

| | |
|-----------------------------|----------------------------|
| Operating Temperature Range | -55 – 105 °C[-67 – 221 °F] |
|-----------------------------|----------------------------|

Operation/Application

| | |
|---------------------|-------|
| Shielded | No |
| Circuit Application | Power |

Industry Standards

| | |
|--|--|
| | |
|--|--|



| | |
|---|------------|
| Compatible With Agency/Standards Products | CSA, UL |
| UL Rating | Recognized |
| Compatible With Approved Standards Products | UL E28476 |
| CSA Rating | LR 7189 |
| UL Flammability Rating | UL 94V-2 |

Packaging Features

| | |
|--------------------|---------|
| Packaging Quantity | 250 |
| Packaging Method | Bag/Box |

Product Compliance

[For compliance documentation, visit the product page on TE.com>](#)

| | |
|---|---|
| EU RoHS Directive 2011/65/EU | Compliant |
| EU ELV Directive 2000/53/EC | Compliant |
| China RoHS 2 Directive MIIT Order No 32, 2016 | No Restricted Materials Above Threshold |
| EU REACH Regulation (EC) No. 1907/2006 | Current ECHA Candidate List: JUNE 2025 (250) Candidate List Declared Against: JUNE 2025 (250) Does not contain REACH SVHC |
| Halogen Content | Low Halogen - Br, Cl, F < 900 ppm per homogenous material. Also BFR/CFR/PVC Free |
| Solder Process Capability | Not applicable for solder process capability |

Product Compliance Disclaimer

This information is provided based on reasonable inquiry of our suppliers and represents our current actual knowledge based on the information they provided. This information is subject to change. The part numbers that TE has identified as EU RoHS compliant have a maximum concentration of 0.1% by weight in homogenous materials for lead, hexavalent chromium, mercury, PBB, PBDE, DBP, BBP, DEHP, DIBP, and 0.01% for cadmium, or qualify for an exemption to these limits as defined in the Annexes of Directive 2011/65/EU (RoHS2). Finished electrical and electronic equipment products will be CE marked as required by Directive 2011/65/EU. Components may not be CE marked. Additionally, the part numbers that TE has identified as EU ELV compliant have a maximum concentration of 0.1% by weight in homogenous materials for lead, hexavalent chromium, and mercury, and 0.01% for cadmium, or qualify for an exemption to these limits as defined in the Annexes of Directive 2000/53/EC (ELV). Regarding the REACH Regulation, the information TE provides on SVHC in articles for this part number is based on the latest European Chemicals Agency (ECHA) 'Guidance on requirements for substances in articles' posted at this URL: <https://echa.europa.eu/guidance-documents/guidance-on-reach>

Compatible Parts




TE Part # 644749-6
06P MTA156 HDR ASSY STR SQ SN



TE Part # 3-644615-6
06P MTA156 POL HDR ASSY LF



TE Part # 643067-6
06P MTA156 MOLDED COVER



TE Part # 640387-6
06P MTA156 HDR ASSY SQ R/A



TE Part # 2-647123-6
06P MTA156 SHRD HDR ASSY SQ SN



TE Part # 644753-6
06P MTA156 HDR ASSY RN STR F/L



TE Part # 58443-1
MTA 156 CRIMP HEAD PRODUCTION FEED THRU



TE Part # 640385-6
06P MTA156 HDR ASSY SQ R/A



TE Part # 640388-6
06P MTA156 HDR ASSY RN STR F/L



TE Part # 2-647127-6
06P MTA156 SHRD HDR ASSY LF



TE Part # 59804-1
MAINTENANCE TOOL



TE Part # 640384-6
06P MTA156 HDR ASSY STR RND SN



TE Part # 640445-6
06P MTA156 HDR ASSY FL/STR SN



TE Part # 2-647125-6
06P MTA156 SHRD HDR ASSY LF



TE Part # 644751-6
06P MTA156 HDR ASSY R/A



TE Part # 3-644617-6
06P MTA156 HDR ASSY PO RA FB LF



TE Part # 640643-6
06P MTA156 COVER F/T



TE Part # 643071-6
06P MTA156 FD-THRU COVER



TE Part # 640551-6
06P MTA156 COVER

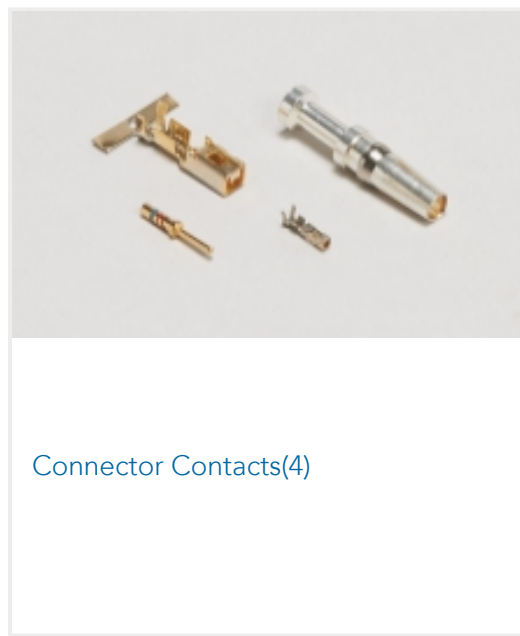


TE Part # 640383-6
06P MTA156 HDR ASSY STR SQ SN

Also in the Series | **MTA 156**



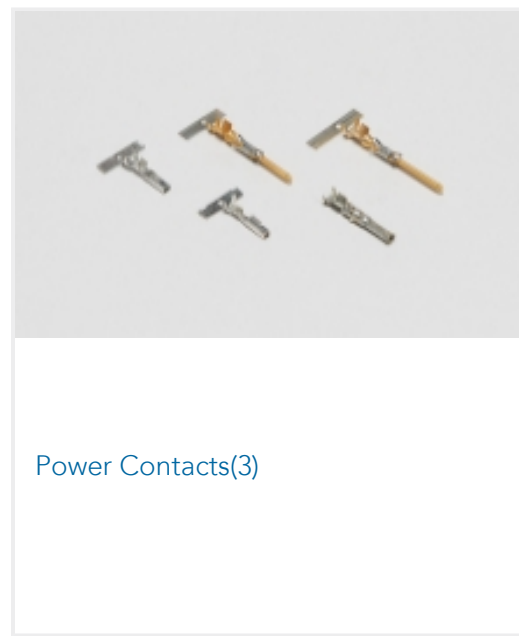
Connector Caps & Covers(89)



Connector Contacts(4)



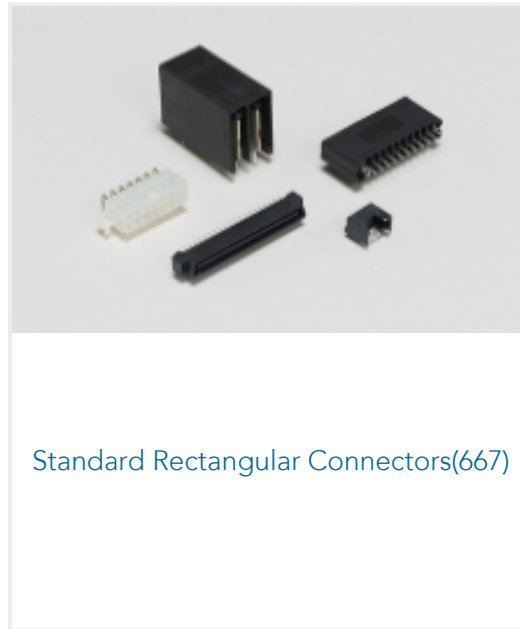
Connector Hardware(2)



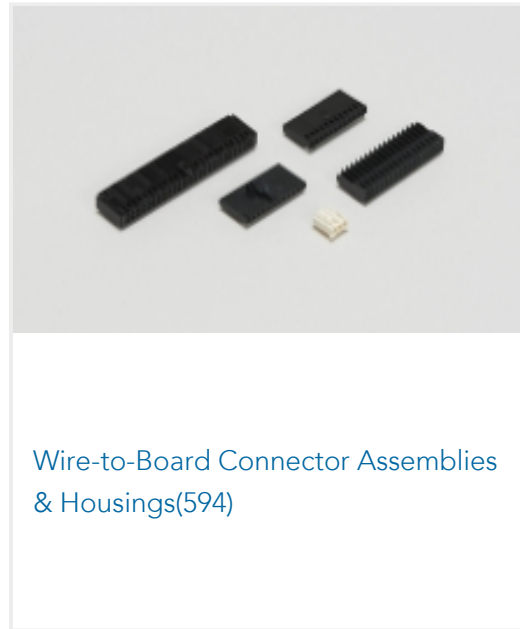
Power Contacts(3)



Rectangular Power Connectors(1178)



Standard Rectangular Connectors(667)



Wire-to-Board Connector Assemblies & Housings(594)

Customers Also Bought



TE Part #800888-SF
FN261-10-06



TE Part #60617-1
CMNL SOK SNBR L/P



TE Part #60618-1
CMNL PIN PTPBR L/P



TE Part #350550-1
UMNL SOK 20-14 PTPBR L/P



TE Part #1-480318-0
02P CMNL PLUG HSG F/H NATL



TE Part #1-480319-0
02P CMNL CAP HSG NATL



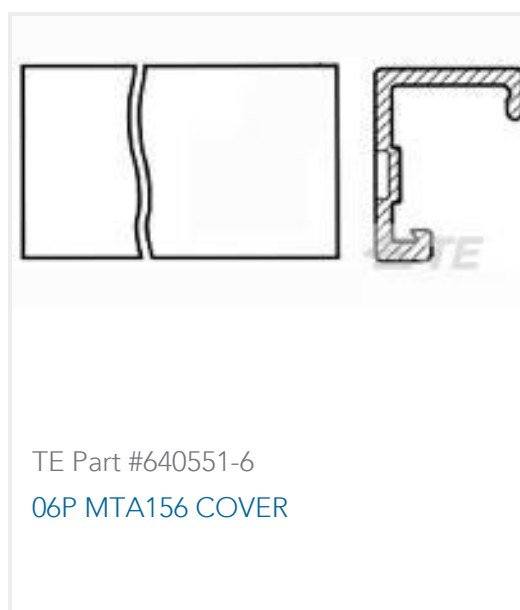
TE Part #1-480426-0
04P CMNL CAP HSG F/H NATL



TE Part #1-480705-0
06P UMNL CAP HSG NATL



TE Part #640389-6
06P MTA156 HDR ASSY SQ R/A F/L



TE Part #640551-6
06P MTA156 COVER

Documents



Product Drawings

[06P MTA156 CONN ASSY 18AWG LF](#)

English

CAD Files

[3D PDF](#)

3D

Customer View Model

[ENG_CVM_CVM_3-640604-6_R.2d_dxf.zip](#)

English

Customer View Model

[ENG_CVM_CVM_3-640604-6_R.3d_igs.zip](#)

English

Customer View Model

[ENG_CVM_CVM_3-640604-6_R.3d_stp.zip](#)

English

By downloading the CAD file I accept and agree to the [Terms and Conditions](#) of use.

Product Specifications

[Application Specification](#)

English

[Application Specification](#)

Japanese

[Application Specification](#)

English

[MTA 156 Ribbon Cable Connector Assemblies \(English And Spanish\)](#)

English

[MTA 156 Ribbon Cable Connector Assemblies \(English And Spanish\)](#)

Japanese

Agency Approvals

[Agency Approval Document](#)

English