

3-641435-3 ✓ ACTIVE



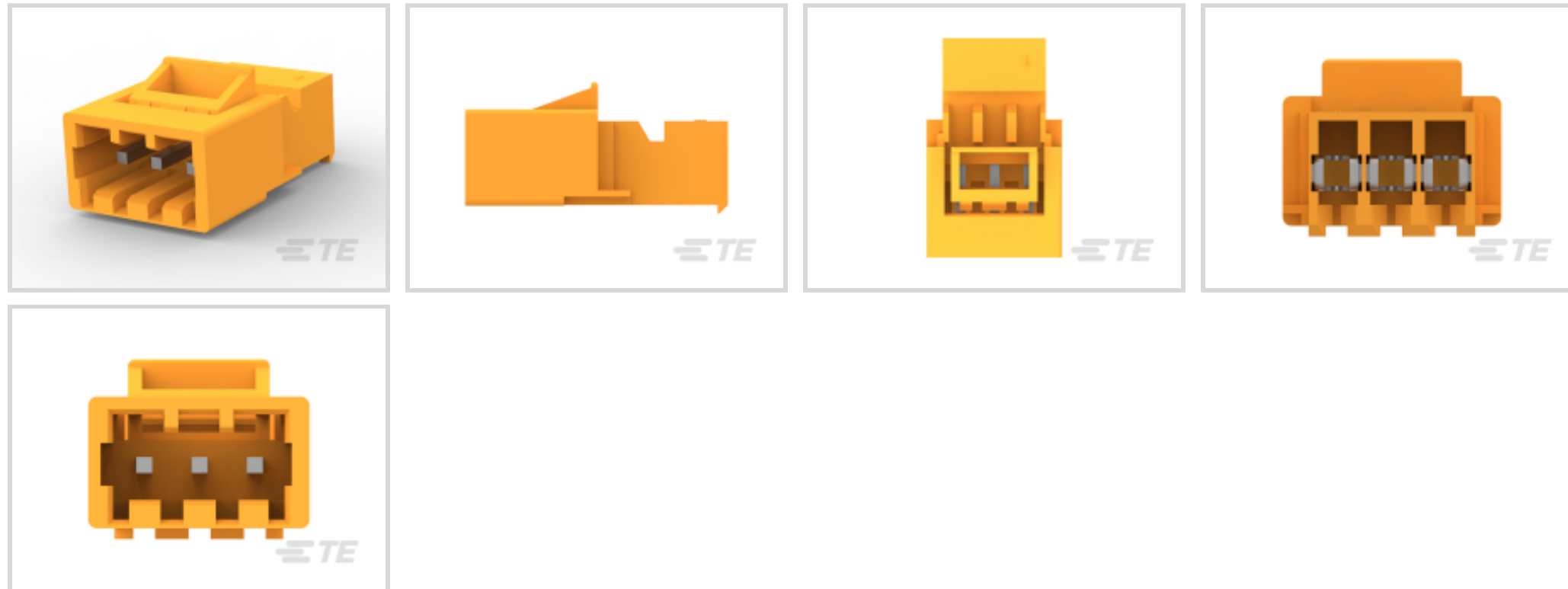
MTA 156

TE Internal #: 3-641435-3

3 Position, Plug, Connector Assembly, Insulation Displacement (IDC), Wire-to-Wire, Tin (Sn), UL 94V-2, 3.96 mm [.156 in] Centerline, 1 Row, MTA 156

[View on TE.com >](#)

Connectors > Rectangular Connectors > Standard Rectangular Connectors



Connector Product Type: **Connector Assembly**

Connector & Housing Type: **Plug**

Mating Alignment: **With**

Mating Alignment Type: **Polarization**

Mating Retention: **With**

Features

Product Type Features

| | |
|------------------------------------|--------------------|
| Compatible With Discrete Wire Type | Stranded |
| Connector Product Type | Connector Assembly |
| Connector & Housing Type | Plug |
| Connector System | Wire-to-Wire |
| Sealable | No |
| Connector & Contact Terminates To | Wire & Cable |

Configuration Features

| | |
|---------------------------|---|
| Number of Positions | 3 |
| Number of Rows | 1 |
| Number of Power Positions | 3 |

Electrical Characteristics

| | |
|-------------------|---------|
| Operating Voltage | 600 VAC |
|-------------------|---------|

Body Features

| | |
|-----------------------|--------|
| Primary Product Color | Orange |
|-----------------------|--------|



| | |
|------------------|-----|
| Cable Exit Angle | 90° |
|------------------|-----|

Contact Features

| | |
|---|-----------------|
| Contact Underplating Material | Nickel |
| Contact Underplating Material Thickness | 50 µm[1.27 µin] |
| Contact Layout | Inline |
| Contact Base Material | Copper Alloy |
| Wire Contact Termination Area Plating Thickness | 2.03 µm[80 µin] |
| Contact Mating Area Plating Material Finish | Matte |
| Contact Mating Area Plating Material | Tin (Sn) |
| Contact Retention Within Housing | With |
| Contact Current Rating (Max) | 7 A |
| Contact Type | Pin |
| Wire Contact Termination Area Plating Material | Tin |
| Contact Mating Area Plating Material Thickness | 2.03 µm[80 µin] |

Termination Features

| | |
|------------------------------------|-------------------------------|
| Termination Method to Wire & Cable | Insulation Displacement (IDC) |
|------------------------------------|-------------------------------|

Mechanical Attachment

| | |
|---------------------------------------|----------------------------|
| Strain Relief | With |
| Panel Mount Feature | Without |
| Contact Retention Type Within Housing | Locking Lance |
| Mating Alignment | With |
| Mating Alignment Type | Polarization |
| Mating Retention | With |
| Mating Retention Type | Latch |
| Connector Mounting Type | Cable Mount (Free-Hanging) |

Housing Features

| | |
|------------------------------------|-------------------|
| Wire & Cable IDC Installation Type | Closed End |
| Centerline (Pitch) | 3.96 mm [.156 in] |
| Housing Material | Nylon |

Dimensions

| | |
|--------------------------------------|-------------------|
| Compatible Insulation Diameter Range | 2.41 mm [.095 in] |
| Connector Height | 12.37 mm |



| | |
|------------------|----------|
| Connector Length | 15.85 mm |
|------------------|----------|

| | |
|-----------|-------------------------|
| Wire Size | .8 – .9 mm ² |
|-----------|-------------------------|

Usage Conditions

| | |
|-----------------------------|----------------------------|
| Operating Temperature Range | -55 – 105 °C[-67 – 221 °F] |
|-----------------------------|----------------------------|

Operation/Application

| | |
|---------------------|-------|
| Circuit Application | Power |
|---------------------|-------|

Industry Standards

| | |
|---|---------|
| Compatible With Agency/Standards Products | CSA, UL |
|---|---------|

| | |
|-----------|------------|
| UL Rating | Recognized |
|-----------|------------|

| | |
|---|-----------|
| Compatible With Approved Standards Products | UL E28476 |
|---|-----------|

| | |
|------------|--------------------|
| CSA Rating | Certified, LR 7189 |
|------------|--------------------|

| | |
|------------------------|----------|
| UL Flammability Rating | UL 94V-2 |
|------------------------|----------|

| | |
|------------------|-------------------------------|
| Glow Wire Rating | Standard Part - Not Glow Wire |
|------------------|-------------------------------|

Packaging Features

| | |
|--------------------|------|
| Packaging Quantity | 2000 |
|--------------------|------|

| | |
|------------------|---------|
| Packaging Method | Package |
|------------------|---------|

Product Compliance

[For compliance documentation, visit the product page on TE.com>](#)

| | |
|------------------------------|-----------|
| EU RoHS Directive 2011/65/EU | Compliant |
|------------------------------|-----------|

| | |
|-----------------------------|-----------|
| EU ELV Directive 2000/53/EC | Compliant |
|-----------------------------|-----------|

| | |
|---|---|
| China RoHS 2 Directive MIIT Order No 32, 2016 | No Restricted Materials Above Threshold |
|---|---|

| | |
|--|---|
| EU REACH Regulation (EC) No. 1907/2006 | Current ECHA Candidate List: JUNE 2025 (250) Candidate List Declared Against: JUNE 2025 (250) Does not contain REACH SVHC |
|--|---|

| | |
|-----------------|--|
| Halogen Content | Low Halogen - Br, Cl, F < 900 ppm per homogenous material. Also BFR/CFR/PVC Free |
|-----------------|--|

| | |
|---------------------------|--|
| Solder Process Capability | Not applicable for solder process capability |
|---------------------------|--|

Product Compliance Disclaimer

This information is provided based on reasonable inquiry of our suppliers and represents our current actual knowledge based on the information they provided. This information is subject to change. The part numbers that TE has identified as EU RoHS compliant have a maximum concentration of 0.1% by weight in homogenous materials for lead, hexavalent chromium, mercury, PBB, PBDE, DBP, BBP, DEHP, DIBP, and 0.01% for cadmium, or qualify for an exemption to these

limits as defined in the Annexes of Directive 2011/65/EU (RoHS2). Finished electrical and electronic equipment products will be CE marked as required by Directive 2011/65/EU. Components may not be CE marked. Additionally, the part numbers that TE has identified as EU ELV compliant have a maximum concentration of 0.1% by weight in homogenous materials for lead, hexavalent chromium, and mercury, and 0.01% for cadmium, or qualify for an exemption to these limits as defined in the Annexes of Directive 2000/53/EC (ELV). Regarding the REACH Regulation, the information TE provides on SVHC in articles for this part number is based on the latest European Chemicals Agency (ECHA) 'Guidance on requirements for substances in articles' posted at this URL: <https://echa.europa.eu/guidance-documents/guidance-on-reach>

Compatible Parts



TE Part # 3-640427-3
03P MTA156 CONN ASSY 20AWG YEL



TE Part # 3-644860-3
03P MTA156 CONN ASSY 18AWG LF



TE Part # 3-640426-3
03P MTA156 CONN ASSY 18AWG ORA



TE Part # 3-640602-3
03P MTA156 CONN ASSY 24AWG LF



TE Part # 3-640428-3
03P MTA156 CONN ASSY 22AWG RED



TE Part # 3-640430-3
03P MTA156 CONN ASSY 26AWG BLU



TE Part # 3-640601-3
03P MTA156 CONN ASSY 22AWG LF



TE Part # 643071-3
03P MTA156 FD-THRU COVER



TE Part # 3-640600-3
03P MTA156 CONN ASSY 20AWG LF



TE Part # 58082-1
MTA 156 CRIMP HEAD PRODUCTION POSTED



TE Part # 3-640429-3
03P MTA156 CONN ASSY 24AWG WHT



TE Part # 3-640599-3
03P MTA156 CONN ASSY 18AWG ORA



TE Part # CAT-103156-WBHSM
Receptacle Housing: Wire-to-Board, with Mating Alignment, SL156



TE Part # 58074-1
MTA 50/100/156 MANUAL TOOL FRAME



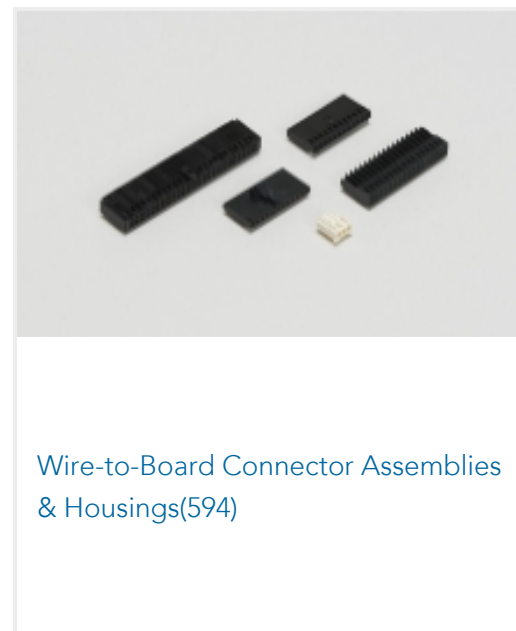
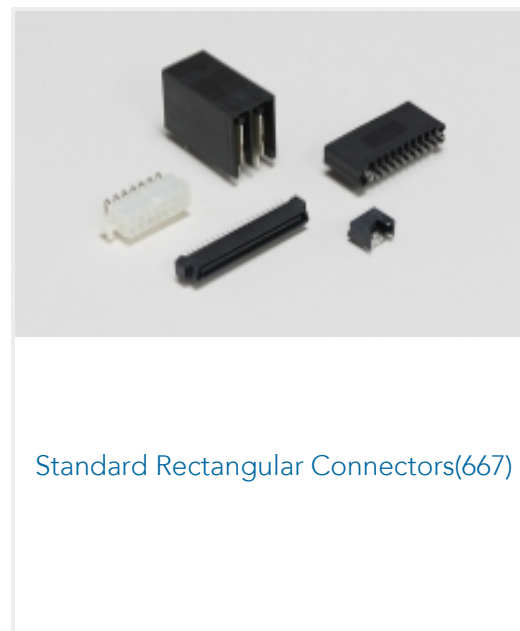
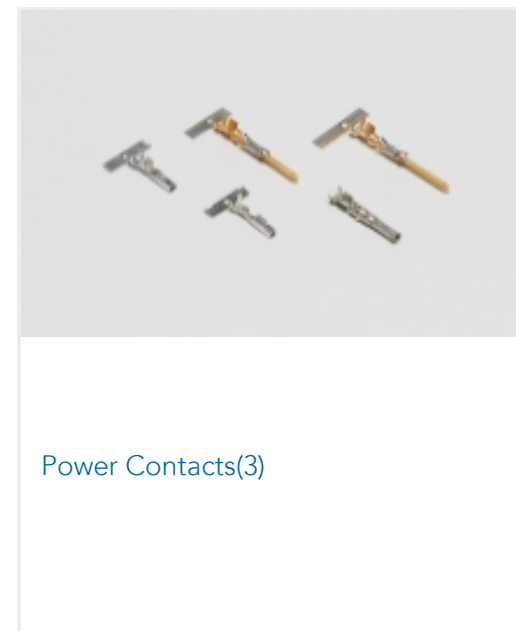
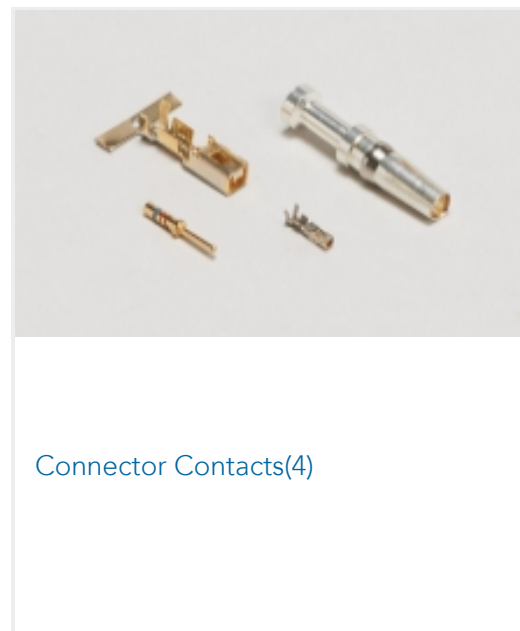
TE Part # 640643-3
03P MTA156 COVER F/T



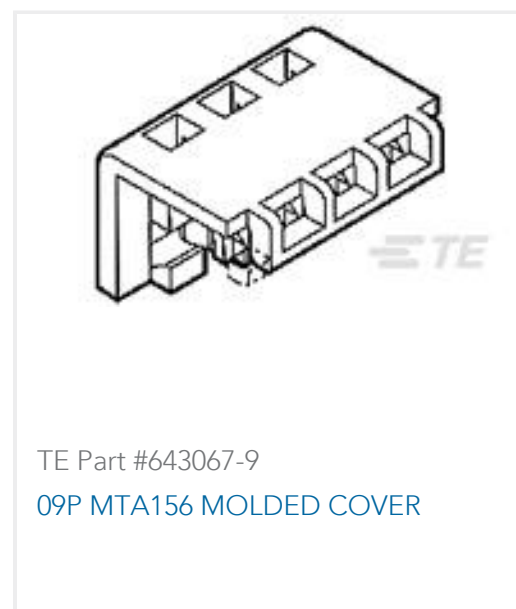
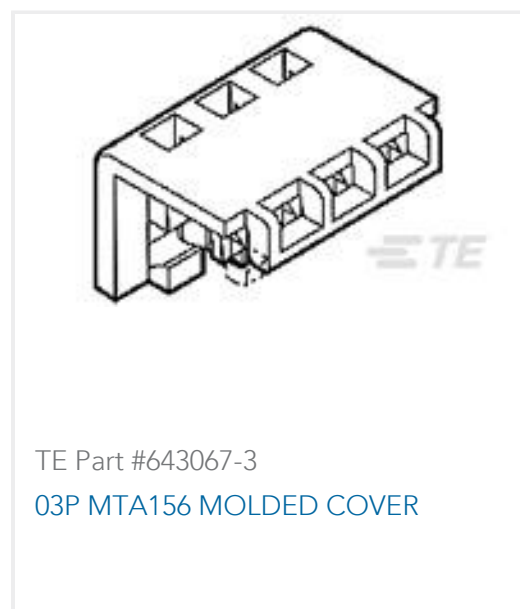
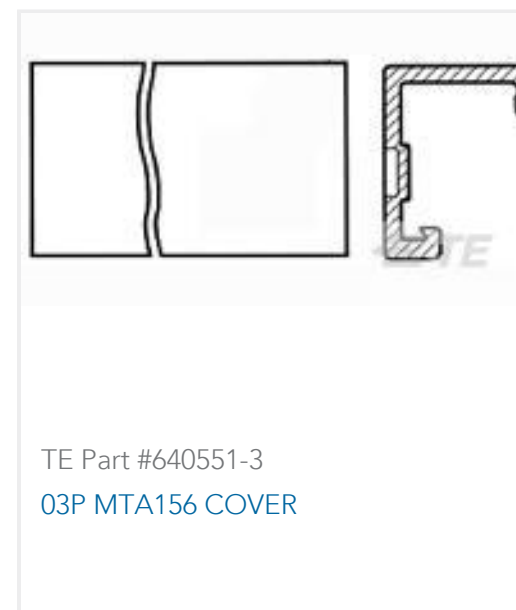
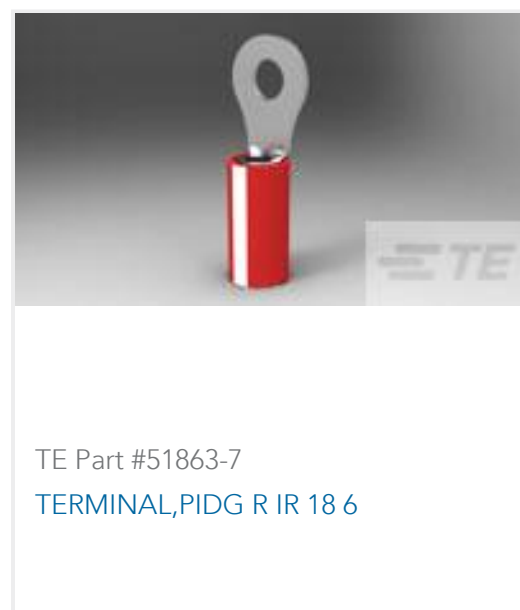
TE Part # 643067-3
03P MTA156 MOLDED COVER



Also in the Series | **MTA 156**



Customers Also Bought





TE Part #5553636-3
KIT, HDW, EMI, 050/085, STD/METRIC



TE Part #1-5745968-5
25 PLUG SP/FMS SCRLK

Documents

Product Drawings

[03P MTA156 CONN ASSY ORNG](#)

English

CAD Files

[3D PDF](#)

3D

Customer View Model

[ENG_CVM_CVM_3-641435-3_K.2d_dxf.zip](#)

English

Customer View Model

[ENG_CVM_CVM_3-641435-3_K.3d_igs.zip](#)

English

Customer View Model

[ENG_CVM_CVM_3-641435-3_K.3d_stp.zip](#)

English

By downloading the CAD file I accept and agree to the [Terms and Conditions](#) of use.

Product Specifications

[Application Specification](#)

English

Agency Approvals

[Agency Approval Document](#)

English