

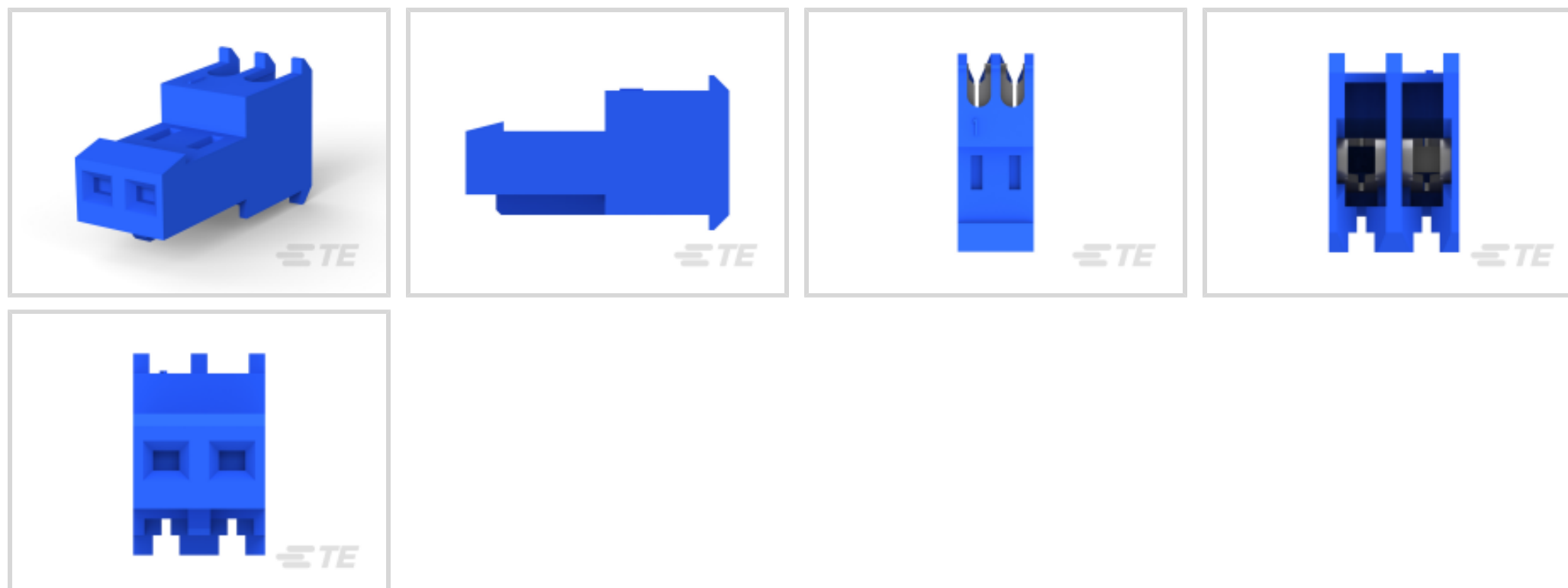
3-641655-2 x OBSOLETE

TE Internal #: 3-641655-2

TE Internal Description: 02P MTA100 CONN ASSY BLU LF

MTA Receptacle: Nylon, Tin Plated, 2.54 mm

[View on TE.com >](#)



All MTA Receptacle: Nylon, Tin Plated, 2.54 mm (167)

Product Compliance

[For compliance documentation, visit the product page on TE.com>](#)

EU RoHS Directive 2011/65/EU	Compliant
EU ELV Directive 2000/53/EC	Compliant
China RoHS 2 Directive MIIT Order No 32, 2016	No Restricted Materials Above Threshold
EU REACH Regulation (EC) No. 1907/2006	Current ECHA Candidate List: JUNE 2025 (250) Candidate List Declared Against: JUNE 2022 (224) Does not contain REACH SVHC
Halogen Content	Low Halogen - Br, Cl, F < 900 ppm per homogenous material. Also BFR/CFR/PVC Free
Solder Process Capability	Not applicable for solder process capability

Product Compliance Disclaimer

This information is provided based on reasonable inquiry of our suppliers and represents our current actual knowledge based on the information they provided. This information is subject to change. The part numbers that TE has identified as EU RoHS compliant have a maximum concentration of 0.1% by weight in homogenous materials for lead, hexavalent chromium, mercury, PBB, PBDE, DBP, BBP, DEHP, DIBP, and 0.01% for cadmium, or qualify for an exemption to these limits as defined in the Annexes of Directive 2011/65/EU (RoHS2). Finished electrical and electronic equipment products will be CE marked as required by Directive 2011/65/EU. Components may not be CE marked. Additionally, the part numbers that TE has identified as EU ELV compliant have a maximum concentration of 0.1% by weight in homogenous materials for lead, hexavalent chromium, and mercury, and 0.01% for cadmium, or qualify for an exemption to these limits as defined in the Annexes of Directive 2000/53/EC (ELV). Regarding the REACH Regulation, the information TE provides on SVHC in articles for this part number is based on the latest European Chemicals Agency (ECHA) 'Guidance on requirements for substances in articles' posted at this URL: <https://echa.europa.eu/guidance-documents/guidance-on-reach>

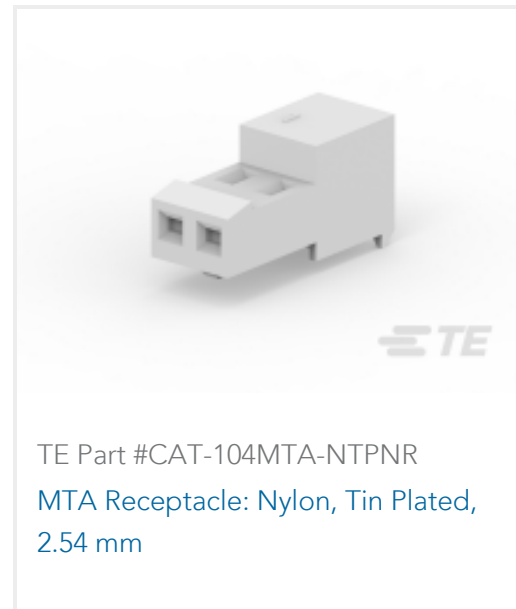
Customers Also Bought



TE Part #640250-4
04P SL156 HSG W/LCK RAMP NATL



TE Part #640252-2
SL-156 RECEPTACLE



TE Part #CAT-104MTA-NTPNR
MTA Receptacle: Nylon, Tin Plated,
2.54 mm



TE Part #640454-5
05P MTA100 HDR ASSY SQ STR POL



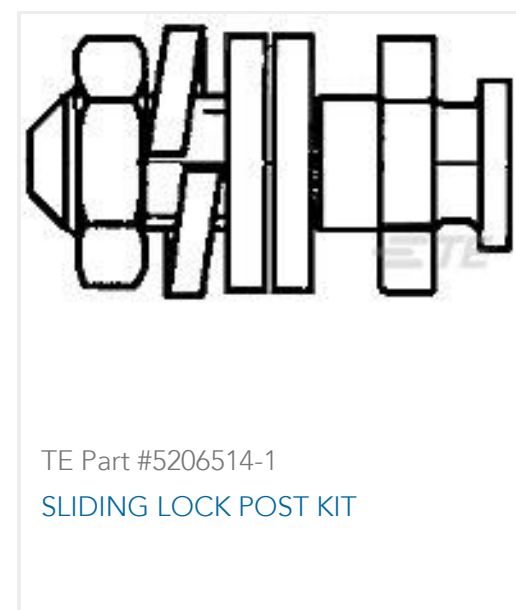
TE Part #641201-5
05P MTA100 CONN ASSY GRN
28AWG



TE Part #3-1827253-6
.5FHP05H,220,S,GIG,08/Sn,HT,NSYes



TE Part #2041376-2
RJ45 W LED 2X2,30u",,DIP,H=25.4mm



TE Part #5206514-1
SLIDING LOCK POST KIT

Documents

Product Drawings

[02P MTA100 CONN ASSY BLU LF](#)

English

CAD Files

Customer View Model

[ENG_CVM_CVM_3-641655-2_J.2d_dxf.zip](#)

English

3D PDF

3D

Customer View Model

[ENG_CVM_CVM_3-641655-2_J.3d_igs.zip](#)

English

Customer View Model

[ENG_CVM_CVM_3-641655-2_J.3d_stp.zip](#)

English

By downloading the CAD file I accept and agree to the [Terms and Conditions](#) of use.

Product Specifications

[Application Specification](#)

English

Agency Approvals

[Agency Approval Document](#)

English

