

390088-1 ✓ ACTIVE

AMP | AMP MR

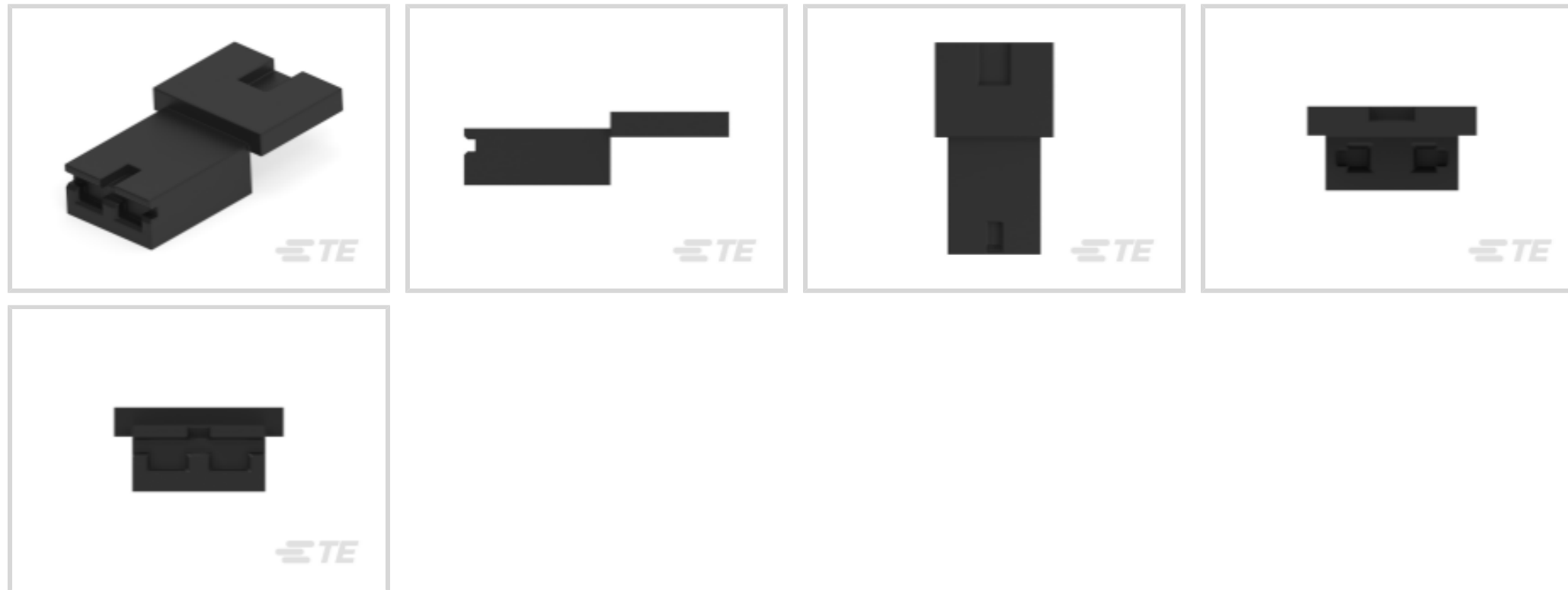
TE Internal #: 390088-1

Dual Beam Shunt, Open Top, 2 Position, 2.54 mm [.1 in] Centerline,
Signal, -65 – 105 °C [-85 – 221 °F], AMP MR

[View on TE.com >](#)



Connectors > PCB Connectors > Board-to-Board Connectors > Board-to-Board Jumpers & Shunts



Shunt Type: **Dual Beam**

Shunt Style: **Open Top**

Number of Positions: **2**

Centerline (Pitch): **2.54 mm [.1 in]**

Contact Current Rating (Max): **3.5 A**

Features

Product Type Features

Connector & Contact Terminates To	Printed Circuit Board
Connector System	Board-to-Board

Configuration Features

Number of Positions	2
---------------------	---

Electrical Characteristics

Termination Resistance	20 mΩ
Insulation Resistance	10000 MΩ

Body Features

Primary Product Color	Black
Handle	Without

Contact Features

Contact Mating Area Plating Material	Gold (Au)
Contact Base Material	Phosphor Bronze
Contact Mating Area Plating Material Thickness	.762 μm[30 μin]



Shunt Type	Dual Beam
------------	-----------

Shunt Style	Open Top
-------------	----------

Contact Current Rating (Max)	3.5 A
------------------------------	-------

Housing Features

Housing Material	Polyester GF
------------------	--------------

Centerline (Pitch)	2.54 mm [.1 in]
--------------------	-----------------

Dimensions

Product Height	6.27 mm [.247 in]
----------------	-------------------

Usage Conditions

Operating Temperature Range	-65 – 105 °C [-85 – 221 °F]
-----------------------------	-----------------------------

Operation/Application

Circuit Application	Signal
---------------------	--------

Industry Standards

UL Flammability Rating	UL 94V-0
------------------------	----------

Packaging Features

Jumper & Shunt Packaging	Breakaway Strip of 10 Pieces
--------------------------	------------------------------

Packaging Method	Box
------------------	-----

Packaging Quantity	1500
--------------------	------

Product Compliance

[For compliance documentation, visit the product page on TE.com>](#)

EU RoHS Directive 2011/65/EU	Compliant
------------------------------	-----------

EU ELV Directive 2000/53/EC	Compliant
-----------------------------	-----------

China RoHS 2 Directive MIIT Order No 32, 2016	有害物质含量符合标准要求 No Restricted Substance(s) Above Threshold
---	---

EU REACH Regulation (EC) No. 1907/2006	Current ECHA Candidate List: JUNE 2025 (250) Candidate List Declared Against: JUNE 2025 (250) Does not contain REACH SVHC
--	---

Halogen Content	Not Low Halogen - contains Br or Cl > 900 ppm.
-----------------	--

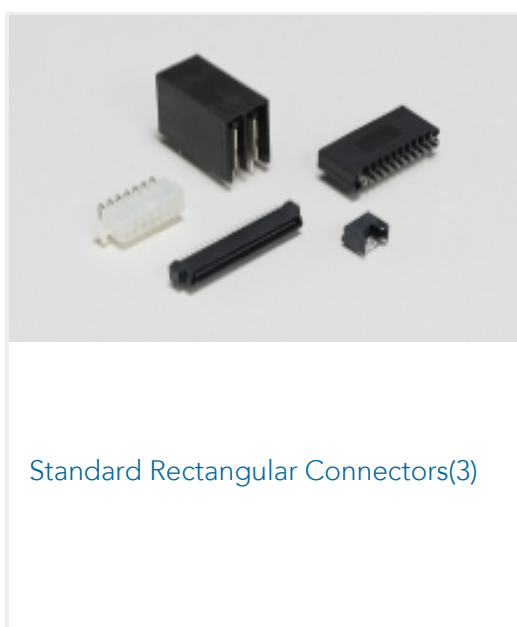
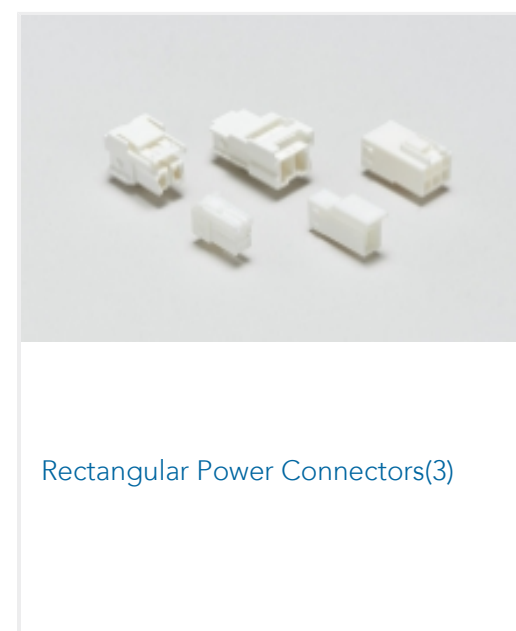
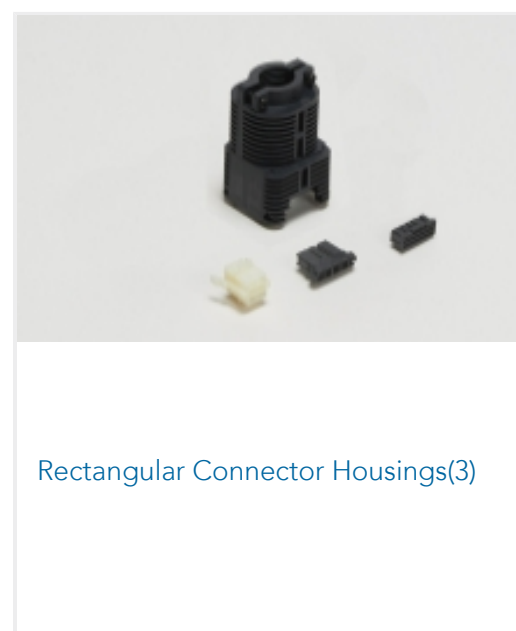
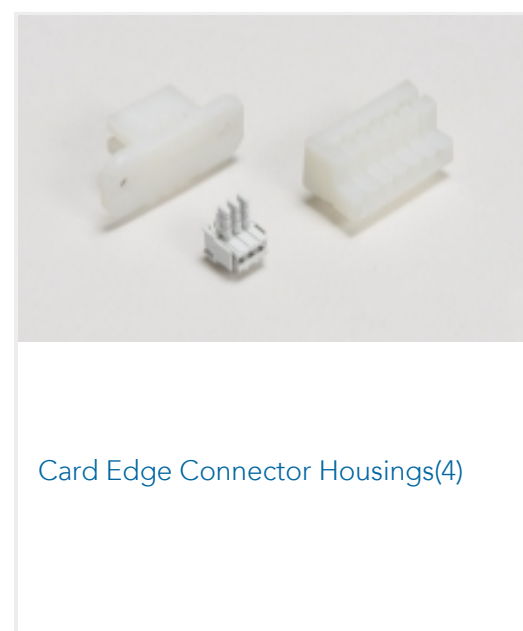
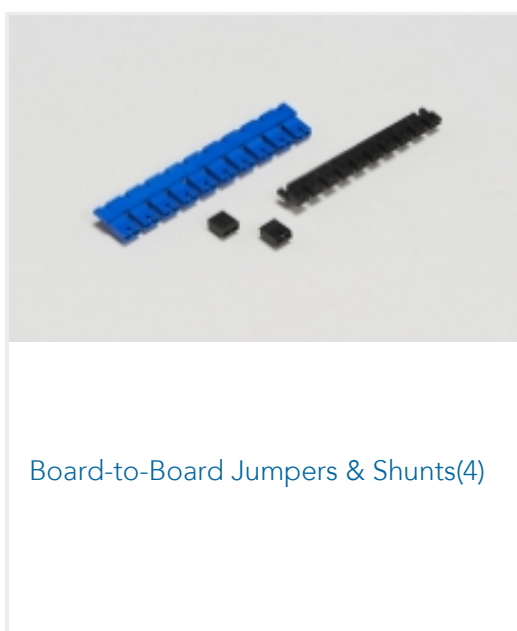
Solder Process Capability	Not applicable for solder process capability
---------------------------	--

This information is provided based on reasonable inquiry of our suppliers and represents our current actual knowledge based on the information they provided. This information is subject to change. The part numbers that TE has identified as EU RoHS compliant have a maximum concentration of 0.1% by weight in homogenous materials for lead, hexavalent chromium, mercury, PBB, PBDE, DBP, BBP, DEHP, DIBP, and 0.01% for cadmium, or qualify for an exemption to these limits as defined in the Annexes of Directive 2011/65/EU (RoHS2). Finished electrical and electronic equipment products will be CE marked as required by Directive 2011/65/EU. Components may not be CE marked. Additionally, the part numbers that TE has identified as EU ELV compliant have a maximum concentration of 0.1% by weight in homogenous materials for lead, hexavalent chromium, and mercury, and 0.01% for cadmium, or qualify for an exemption to these limits as defined in the Annexes of Directive 2000/53/EC (ELV). Regarding the REACH Regulation, the information TE provides on SVHC in articles for this part number is based on the latest European Chemicals Agency (ECHA) 'Guidance on requirements for substances in articles' posted at this URL: <https://echa.europa.eu/guidance-documents/guidance-on-reach>

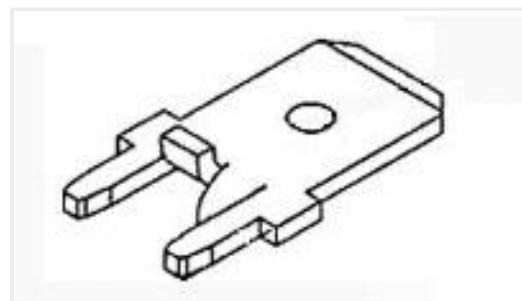
Compatible Parts



Also in the Series | AMP MR



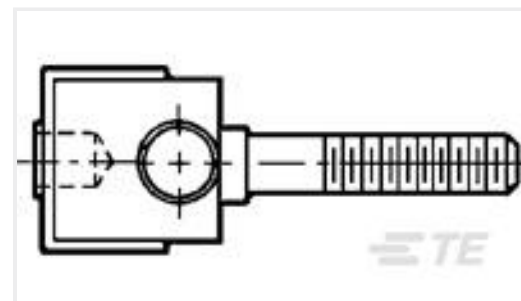
Customers Also Bought



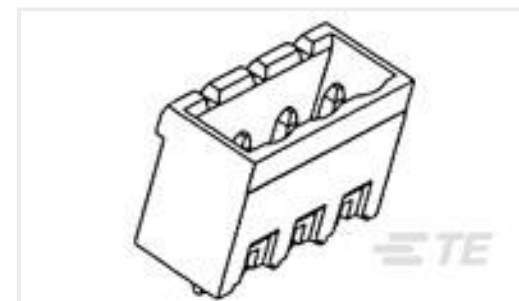
TE Part #63862-1
250 FASTON TAB TPBR



TE Part #106276-4
32P.IEC-C/2 M.CONN.



TE Part #532924-7
HDI POWER CONTACT ASSY



TE Part #796637-4
4POS 5.08MM CE VRT HDR, TRM BLK



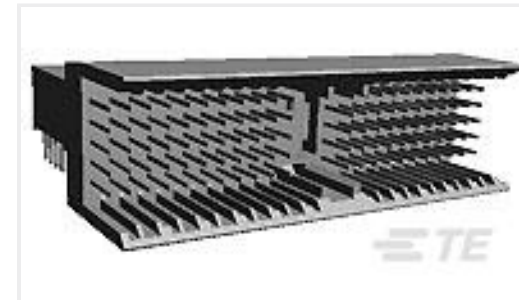
TE Part #1410337-1
MULTIGIG RT GUIDE PIN, 9MM 2.60



TE Part #1410338-6
MULTIGIG RT 9MM GUIDE/ESD



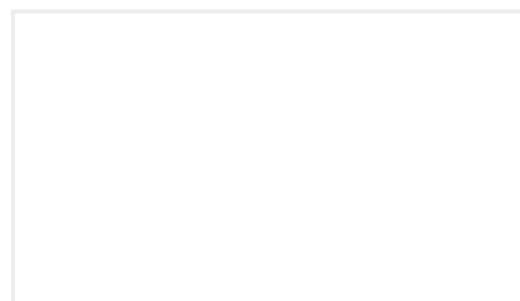
TE Part #1469028-1
HM-ZD 2PR RECP 40P



TE Part #5106015-1
Z-PACK/A RAMH.110P



TE Part #6469025-1
HM-ZD 2PR HDR 40P 2.5MM



TE Part #SP21396
21396,F55A32P5

Documents

Product Drawings

[BLACK HSG WITH 30AU CONTACT](#)

English

CAD Files

[3D PDF](#)

English

Customer View Model

[ENG_CVM_390088-1_A.2d_dxf.zip](#)

English

Customer View Model

[ENG_CVM_390088-1_A.3d_igs.zip](#)

English

Customer View Model

[ENG_CVM_390088-1_A.3d_stp.zip](#)

English

By downloading the CAD file I accept and agree to the [Terms and Conditions](#) of use.

Product Specifications



Application Specification

English

[Low Profile, Economy, Dual Beam, and Multiposition Shunt Connectors](#)

English

Instruction Sheets

[Instruction Sheet \(U.S.\)](#)

English

[Low Profile, Economy, and Dual Beam Shunt Connectors 382811, 390088, and 382823](#)

English

Agency Approvals

[Agency Approval Document](#)

English