

4

3

2

1

© - TE Connectivity. All Rights Reserved.

REVISIONS

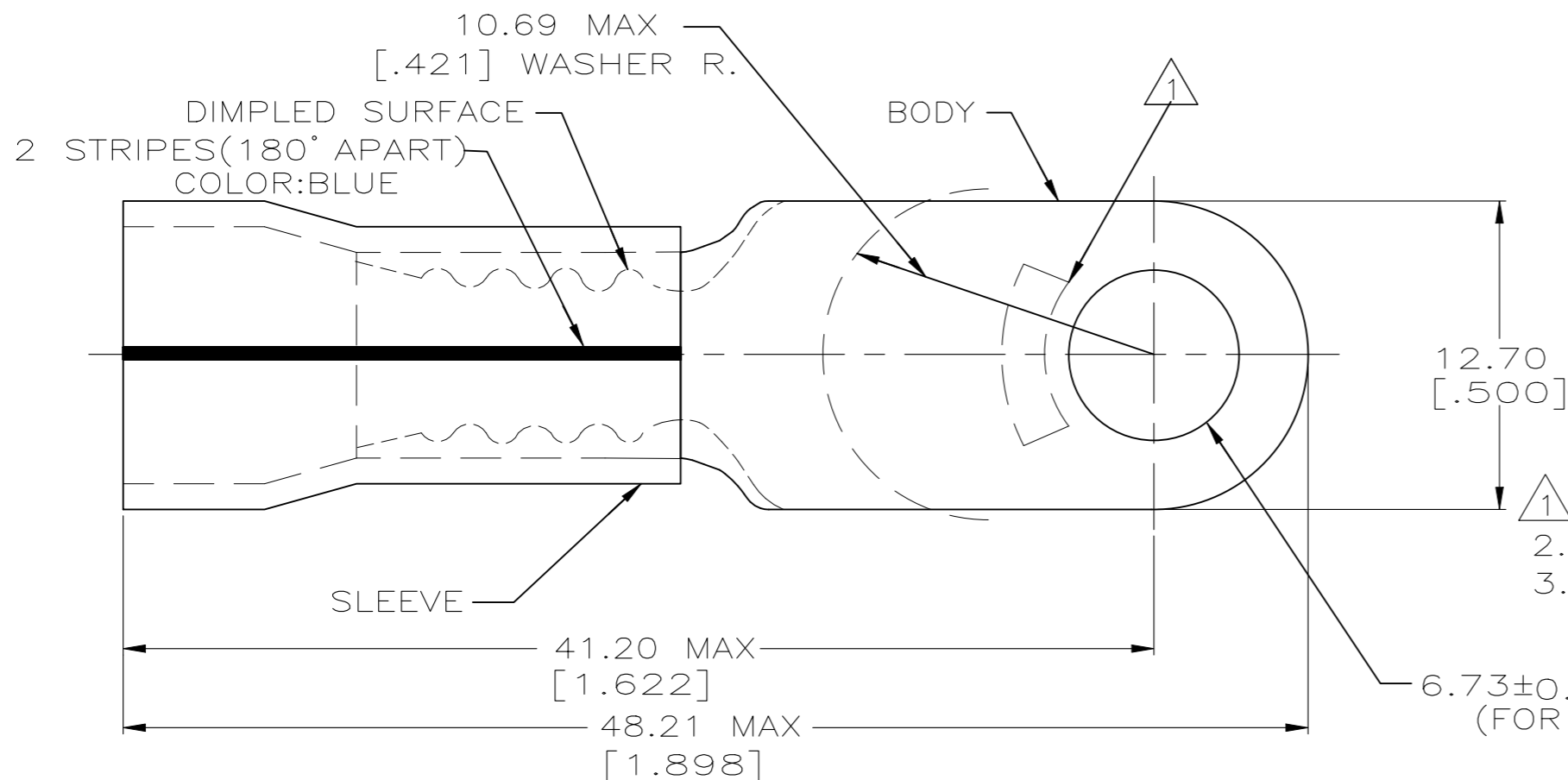
P	LTR	DESCRIPTION	DATE	DWN	APVD
G		REVISED PER ECR-24-207629	16MAY2024	SA	DSC

**AMP**  
WIRE RANGE

6 AWG  
STRANDED

**METRIC**

DIMENSIONS LISTED IN mm [ INCHES ]



NOTE:

- 1. STAMP AMP 6\* LOCATE APPROX AS SHOWN
- 2. TONGUE MATERIAL THK 1.14±0.08 [.045±.003]
- 3. WIRE INSULATION DIA 11.07 [.436] MAX

100	LOOSE PC	53946-1
QTY	PACKAGE TYPE	PART NO

AMP INCORPORATED  
CUSTOMER SERVICE SYSTEMS

MAX RECOMMENDED OPERATING TEMPERATURE:  
150° c

THIS DRAWING IS A CONTROLLED DOCUMENT.

DWN S.S. GOULDEN 10-6-93



FOR ADDITIONAL PRODUCT INFORMATION OR COPIES OF DRAWINGS AND TECHNICAL DOCUMENTS

PRODUCT INFORMATION CENTER  
1-800-522-6752

VOLTAGE RATING:  
600 V MAX

DIMENSIONS:  
mm [INCHES]

TOLERANCES UNLESS OTHERWISE SPECIFIED:

- 0 PLC ± -
- 1 PLC ± -
- 2 PLC ± 0.20 [.008]
- 3 PLC ± -
- 4 PLC ± -
- ANGLES ± -

CHK R. HERSEY 10-6-93

APVD B. BARE 10-6-93

NAME

TERMINAL, RING TONGUE, PVF<sup>2</sup>,  
PLASTI-GRIP, WIRE SIZE: 6 AWG

FOR APPLICATION TOOLING INFORMATION

TOOLING ASSISTANCE CENTER  
1-800-722-1111

CIRCULAR MIL AREA:  
10.54-16.77mm<sup>2</sup> [20,800-33,100]  
STRANDED

MATERIAL

FINISH

PRODUCT SPEC  
NOT AVAILABLE

APPLICATION SPEC  
NOT AVAILABLE

SIZE

CAGE CODE

DRAWING NO

RESTRICTED TO

FOR ORDER ENTRY

1-800-526-5142

THIS DRAWING IS A CONTROLLED DOCUMENT FOR AMP INCORPORATED. IT IS SUBJECT TO CHANGE AND THE CONTROLLING ENGINEERING ORGANIZATION SHOULD BE CONTACTED FOR THE LATEST REVISION.

COPPER PER ASTM B-152  
PVF<sup>2</sup>, COLOUR: NATURAL

TIN/LEAD (93-7) PLATE  
PER ASTM B545

WEIGHT

-

A3

00779

C-53946

-

CUSTOMER DRAWING

SCALE

NTS

SHEET

1 OF 1

REV

G