



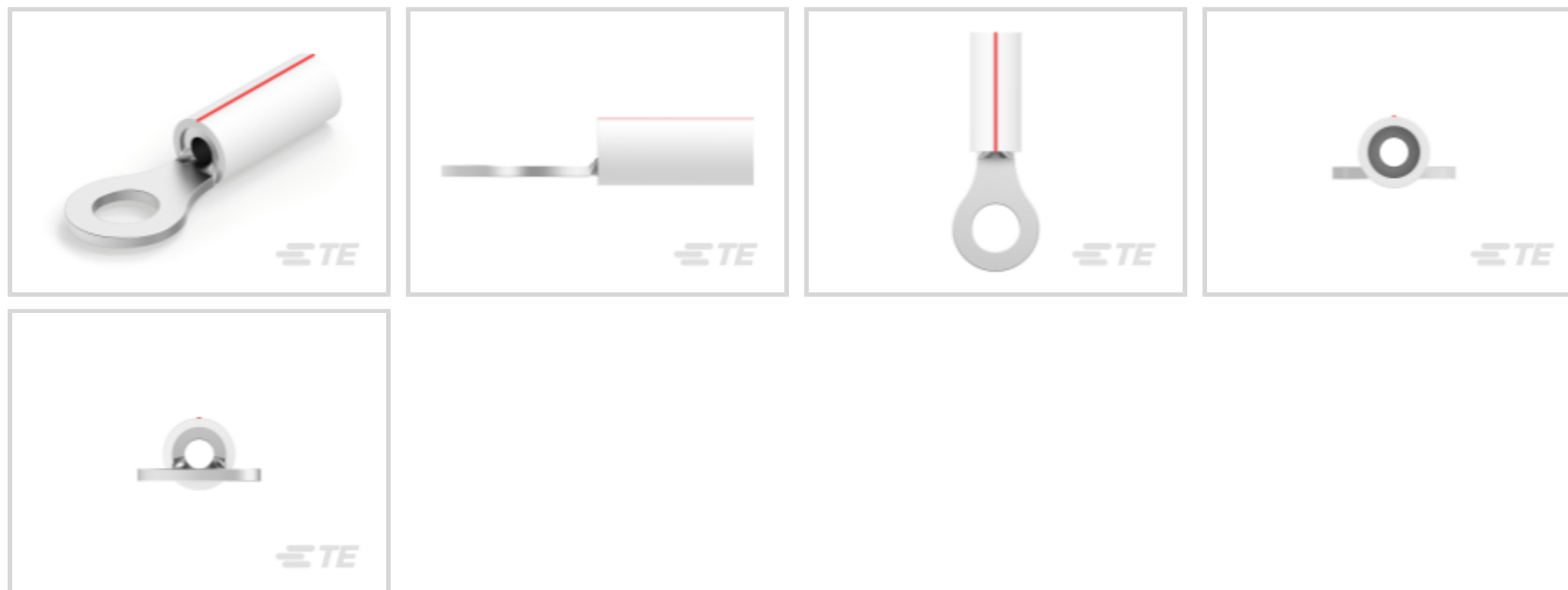
PIDG

TE Internal #: 696422-5

Closed Ring Tongue Terminal, 22 – 16 AWG, #8 / M4 Stud, .171 in Stud Diameter, Closed Barrel, Straight, Tin Plating, Partially Insulated, PIDG

[View on TE.com >](#)

Terminals & Splices > Ring Terminals



Ring Terminal Product Type: Closed Ring Tongue Terminal

Stud Diameter: [.171 in]

Wire Size: 509 – 3260 CMA

**Features**

**Product Type Features**

Terminal Features	Sheared
Ring Terminal Product Type	Closed Ring Tongue Terminal
Stud Size	#8, M4
Sealable	No
Wire Insulation Support Retention Type	Insulation Support

**Configuration Features**

Number of Holes	1
-----------------	---

**Body Features**

Product Weight	.953 g
Insulation Sleeve Color	Natural
Stripe Color	Red

**Contact Features**

Barrel Type	Closed
Terminal Orientation	Straight
Terminal Plating Material	Tin



### Mechanical Attachment

Wire Insulation Support	With
-------------------------	------

### Dimensions

	.171 in
Wire Size	509 – 3260 CMA
Tongue Thickness	.79 mm[.031 in]
Product Length	21.56 mm[.849 in]
Compatible Insulation Diameter (Max)	3.18 mm[.125 in]
Compatible Insulation Diameter Range	2.03 – 3.18 mm[.08 – .125 in]

### Usage Conditions

Insulation Option	Partially Insulated
Operating Temperature Range	0 – 150 °C[0 – 302 °F]

### Operation/Application

Compatible With Wire Base Material	Copper
Compatible With Wire Plating Material	Tin

### Industry Standards

Government Qualified Terminal	No
-------------------------------	----

### Packaging Features

Packaging Quantity	1000
Packaging Method	Loose Piece

### Product Compliance

[For compliance documentation, visit the product page on TE.com>](#)

EU RoHS Directive 2011/65/EU	Compliant
EU ELV Directive 2000/53/EC	Compliant
China RoHS 2 Directive MIIT Order No 32, 2016	有害物质含量符合标准要求 No Restricted Substance(s) Above Threshold
EU REACH Regulation (EC) No. 1907/2006	Current ECHA Candidate List: JUNE 2025 (250) Candidate List Declared Against: JUNE 2025 (250) Does not contain REACH SVHC
Halogen Content	Not Low Halogen - contains Br or Cl > 900 ppm.

Solder Process Capability

Not applicable for solder process capability

## Product Compliance Disclaimer

This information is provided based on reasonable inquiry of our suppliers and represents our current actual knowledge based on the information they provided. This information is subject to change. The part numbers that TE has identified as EU RoHS compliant have a maximum concentration of 0.1% by weight in homogenous materials for lead, hexavalent chromium, mercury, PBB, PBDE, DBP, BBP, DEHP, DIBP, and 0.01% for cadmium, or qualify for an exemption to these limits as defined in the Annexes of Directive 2011/65/EU (RoHS2). Finished electrical and electronic equipment products will be CE marked as required by Directive 2011/65/EU. Components may not be CE marked. Additionally, the part numbers that TE has identified as EU ELV compliant have a maximum concentration of 0.1% by weight in homogenous materials for lead, hexavalent chromium, and mercury, and 0.01% for cadmium, or qualify for an exemption to these limits as defined in the Annexes of Directive 2000/53/EC (ELV). Regarding the REACH Regulation, the information TE provides on SVHC in articles for this part number is based on the latest European Chemicals Agency (ECHA) 'Guidance on requirements for substances in articles' posted at this URL: <https://echa.europa.eu/guidance-documents/guidance-on-reach>

## Compatible Parts



TE Part # 59250  
T-HEAD PIDG 26-14 ASSY



TE Part # 169400  
CERTI-LOK FRAME W/O DIES



TE Part # 2063030-1  
SDE DIESET, RBY, UL



TE Part # 539691-2  
ERGO DIE R.B.Y



TE Part # 169404  
CERTI-LOK DIE



TE Part # 47806-2  
DIES PIDG 22-16 DIE SET



TE Part # 47386  
DAHT PG PIDG 26-16 ASSY



TE Part # 58433-3  
PRO CR ASSY, RBY IS9252



TE Part # 58423-1  
DIE, RBY IS9252



TE Part # 59300  
T-HEAD PIDG PG 26-16 ASSY



TE Part # 59824-1  
TETRA-CRIMP PIDG PG FASTON 22-10 ASSY

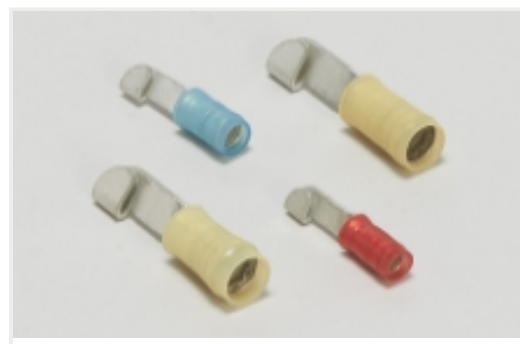
Also in the Series | **PIDG**



Compression Connectors(50)



Crimp Wire Pins, Tabs & Ferrules(39)



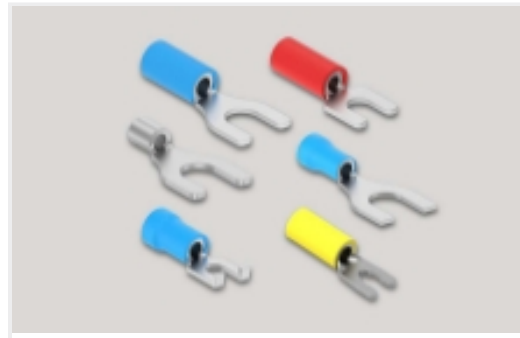
Knife Disconnects(11)



Quick Disconnects(38)



Ring Terminals(587)



Spade Terminals(228)



Special Purpose Terminals(1)

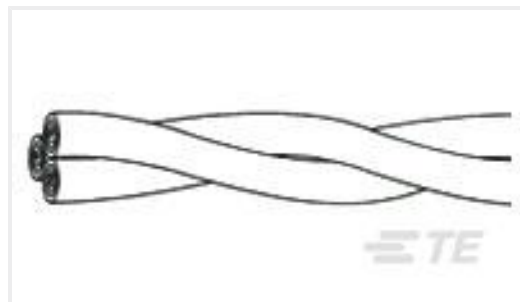


Splices(41)

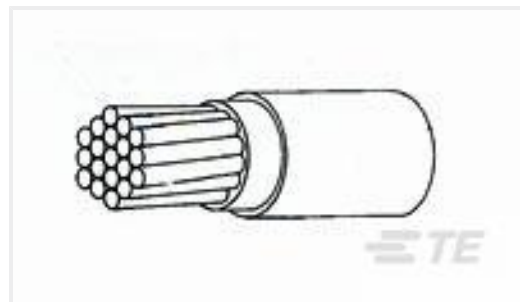
### Customers Also Bought



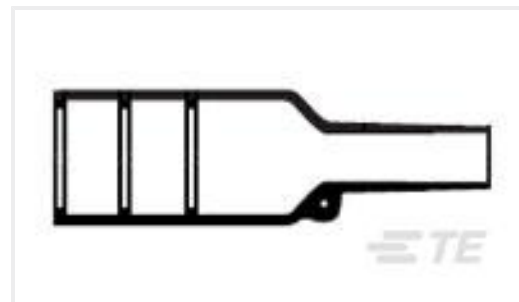
TE Part #F26778-000  
ST58-5-00



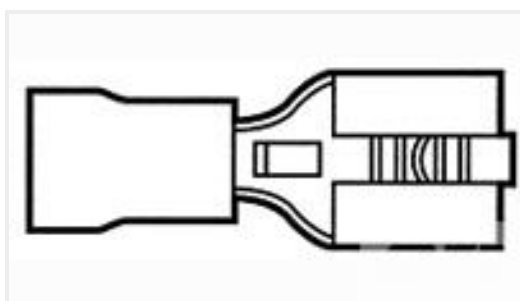
TE Part #3699623001  
44A0331-20-0/2/9



TE Part #2820103008  
44A0111-18-0



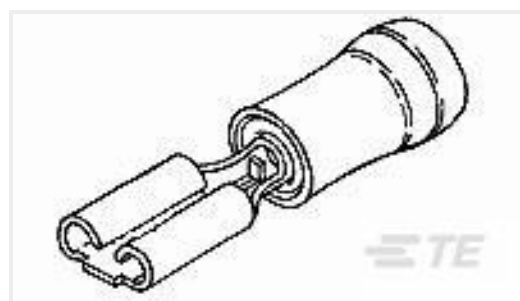
TE Part #822598-000  
202K121-3/42-0



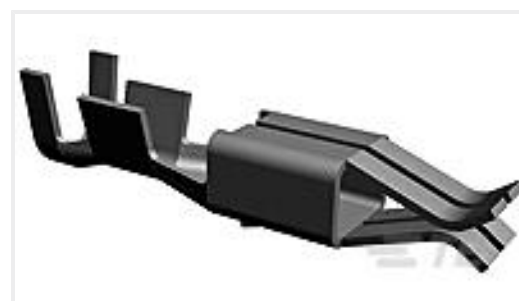
TE Part #42844-1  
RECEPT,PIDG FASTON 14-12 250



TE Part #160655-4  
FF 110 REC TERMINAL 20-15 AWG  
PTPPB



TE Part #165565-2  
2,8 PIDG FASTON REC



TE Part #925595-1  
MIN.SPRING RECEPT.



TE Part #926901-3  
UNIV-MNL BUCHSE



TE Part #5747404-3  
FEMALE SCRLOCK,METRIC,ZN PLTD

### Documents



### Product Drawings

[PIDG PVF2 R 22-16COM22-18MIL 8](#)

English

---

### CAD Files

[3D PDF](#)

3D

Customer View Model

[ENG\\_CVM\\_CVM\\_696422-5\\_A.2d\\_dxf.zip](#)

English

Customer View Model

[ENG\\_CVM\\_CVM\\_696422-5\\_A.3d\\_igs.zip](#)

English

Customer View Model

[ENG\\_CVM\\_CVM\\_696422-5\\_A.3d\\_stp.zip](#)

English

By downloading the CAD file I accept and agree to the [Terms and Conditions](#) of use.

---

### Product Specifications

[Application Specification](#)

English