



SOLISTRAND

TE Internal #: 8-33458-2

Closed Ring Tongue Terminal, 12 – 10 AWG, 1/4 / M6 Stud, 6.35 mm [.25 in] Stud Diameter, Closed Barrel, Straight, Tin Plating, Uninsulated

[View on TE.com >](#)

Terminals & Splices > Ring Terminals



Ring Terminal Product Type: **Closed Ring Tongue Terminal**

Wire Size: **5180 – 13100 CMA**

Stud Size: **1/4, M6**

Features

Product Type Features

Ring Terminal Product Type	Closed Ring Tongue Terminal
Stud Size	1/4, M6
Sealable	No
Wire Insulation Support Retention Type	Non-Insulation Support

Configuration Features

Number of Holes	1
-----------------	---

Body Features

Product Weight	1.987 g
----------------	---------

Contact Features

Barrel Type	Closed
Terminal Orientation	Straight
Terminal Plating Material	Tin

Mechanical Attachment

Wire Insulation Support	Without
-------------------------	---------

Dimensions



Wire Size	5180 – 13100 CMA
Stud Diameter	6.35 mm [.25 in]
Tongue Thickness	.99 mm [.039 in]
Product Length	25.5 mm [1.004 in]
Barrel Inside Diameter	3.28 mm [.129 in]

Usage Conditions

Insulation Option	Uninsulated
Operating Temperature Range	0 – 170 °C [0 – 338 °F]

Operation/Application

Compatible With Wire Base Material	Copper
Compatible With Wire Plating Material	Tin

Industry Standards

Government Qualified Terminal	No
-------------------------------	----

Packaging Features

Packaging Quantity	50
Packaging Method	Loose Piece

Product Compliance

[For compliance documentation, visit the product page on TE.com>](#)

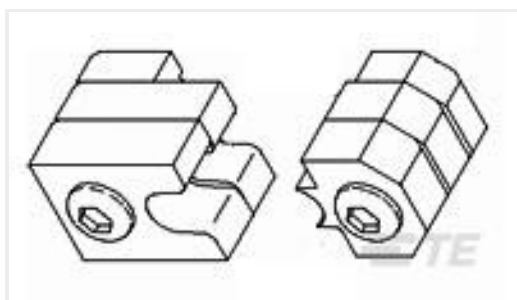
EU RoHS Directive 2011/65/EU	Compliant
EU ELV Directive 2000/53/EC	Compliant
China RoHS 2 Directive MIIT Order No 32, 2016	有害物质含量符合标准要求 No Restricted Substance(s) Above Threshold
EU REACH Regulation (EC) No. 1907/2006	Current ECHA Candidate List: JUNE 2025 (250) Candidate List Declared Against: JUNE 2025 (250) Does not contain REACH SVHC
Halogen Content	Low Halogen - Br, Cl, F < 900 ppm per homogenous material. Also BFR/CFR/PVC Free
Solder Process Capability	Not applicable for solder process capability

Product Compliance Disclaimer

This information is provided based on reasonable inquiry of our suppliers and represents our current actual knowledge based on the information they provided. This information is subject to change. The part numbers that TE has identified as

EU RoHS compliant have a maximum concentration of 0.1% by weight in homogenous materials for lead, hexavalent chromium, mercury, PBB, PBDE, DBP, BBP, DEHP, DIBP, and 0.01% for cadmium, or qualify for an exemption to these limits as defined in the Annexes of Directive 2011/65/EU (RoHS2). Finished electrical and electronic equipment products will be CE marked as required by Directive 2011/65/EU. Components may not be CE marked. Additionally, the part numbers that TE has identified as EU ELV compliant have a maximum concentration of 0.1% by weight in homogenous materials for lead, hexavalent chromium, and mercury, and 0.01% for cadmium, or qualify for an exemption to these limits as defined in the Annexes of Directive 2000/53/EC (ELV). Regarding the REACH Regulation, the information TE provides on SVHC in articles for this part number is based on the latest European Chemicals Agency (ECHA) 'Guidance on requirements for substances in articles' posted at this URL: <https://echa.europa.eu/guidance-documents/guidance-on-reach>

Compatible Parts



TE Part # 47814
DIES SOLIS 12-10 DIE SET



TE Part # 58545-3
SDE DIE ASSY. 22-10 SOLISTRAND



TE Part # 58545-1
SOLISTRAND 10-22 DIE ASSY



TE Part # 49935
DAHT SOLIS 22-10 ASSY

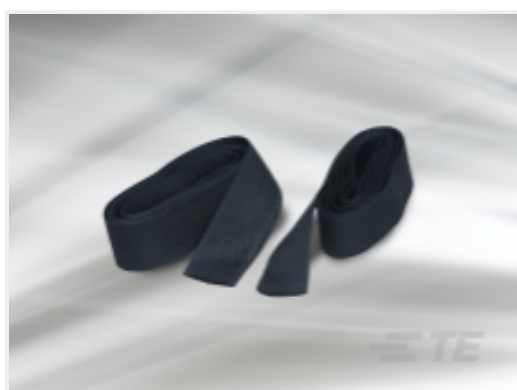


TE Part # 169400
CERTI-LOK FRAME W/O DIES



TE Part # 58546-1
PC 22-10 SOLISPICE SPL I SHT

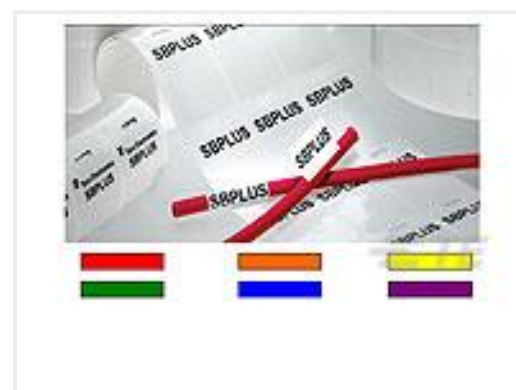
Customers Also Bought



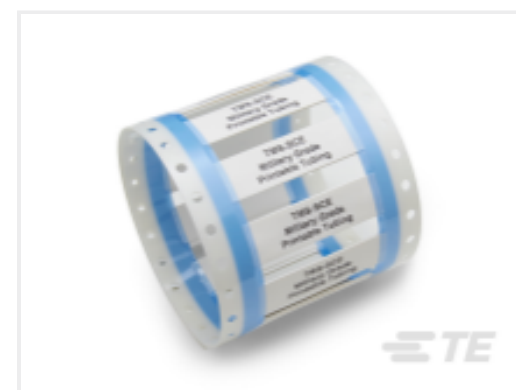
TE Part #CAT-HST-HFT5000
HFT5000 Heat Shrink Tubing



TE Part #TRA4303
OMNI, Ph, NMO, 430-450 MHz WHT,
3,150, 3/4 MT



TE Part #CN9930-000
SBP190319WE2.5



TE Part #CAT-T3437-T548
TMS-SCE Military Grade Sleeves



TE Part #31425
TERMINAL, BUDG R 26-22 2



TE Part #60415-1
110 FASTON REC 22-18 AWG TPBR



TE Part #1617163-7
JMACDD-26XM = M39016/20-054M



TE Part #1743059-1
MT-II/JPT SLD 36P PLUG ASSY



Documents

Product Drawings

[TERM,SOLIS R 12-10 1/4](#)

English

CAD Files

[3D PDF](#)

English

Customer View Model

[ENG_CVM_8-33458-2_K.2d_dxf.zip](#)

English

Customer View Model

[ENG_CVM_8-33458-2_K.3d_igs.zip](#)

English

Customer View Model

[ENG_CVM_8-33458-2_K.3d_stp.zip](#)

English

[3D PDF](#)

3D

Customer View Model

[ENG_CVM_CVM_8-33458-2_AU.2d_dxf.zip](#)

English

Customer View Model

[ENG_CVM_CVM_8-33458-2_AU.3d_igs.zip](#)

English

Customer View Model

[ENG_CVM_CVM_8-33458-2_AU.3d_stp.zip](#)

English

By downloading the CAD file I accept and agree to the [Terms and Conditions](#) of use.

Datasheets & Catalog Pages

[SOLISTRAND - QRG](#)

English

Instruction Sheets

[Instruction Sheet \(U.S.\)](#)

English