



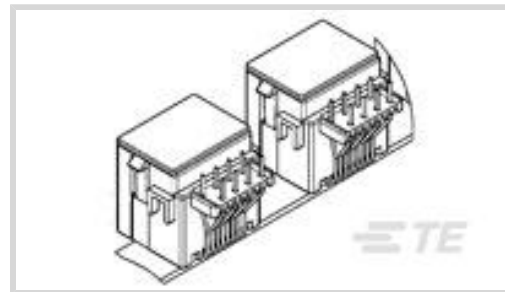
OEG Miniature Relay PCF

TE Internal #: 9-216444-9

Standard Profile, RJ Type Jacks & Plugs, Jack, Vertical, Cat 3, Through Hole - Solder, Bottom Entry, OEG Miniature Relay PCF, RJ22 Connectors

[View on TE.com >](#)

Connectors > Modular Jacks & Plugs > RJ22 Connectors



Connector Profile: **Standard**

Modular Jacks & Plugs Products: **RJ Type Jacks & Plugs**

Connector Contact Density: **Standard**

Modular Connector Style: **Jack**

PCB Mount Orientation: **Vertical**

**Features**

**Product Type Features**

Connector & Contact Terminates To	Printed Circuit Board
Connector System	Cable-to-Board
Modular Jacks & Plugs Products	RJ Type Jacks & Plugs
Modular Connector Style	Jack

**Configuration Features**

Number of Positions	4
Port Matrix Configuration	1 x 1
Port Configuration	Single Port
Connector Contact Density	Standard
PCB Mount Orientation	Vertical
Number of Loaded Positions	4

**Signal Characteristics**

Data Rate	.01 Gb/s
-----------	----------

**Body Features**

Modular Jack Latch Orientation	Standard - Latch Down
Connector Profile	Standard

**Contact Features**

Contact Underplating Material	Nickel
-------------------------------	--------



Contact Base Material	Phosphor Bronze
Contact Mating Area Plating Material	Gold Flash over Palladium Nickel
Contact Current Rating (Max)	1.5 A
PCB Contact Termination Area Plating Material	Tin

### Termination Features

Termination Method to PCB	Through Hole - Solder
---------------------------	-----------------------

### Mechanical Attachment

Connector Mounting Type	Board Mount
Panel Mount Feature	Without

### Housing Features

Housing Color	Black
Centerline (Pitch)	1.02 mm[.04 in]
Mating Entry Location	Bottom
Housing Material	High Temperature Nylon

### Dimensions

PCB Thickness (Recommended)	1.6 mm[.063 in]
Connector Height	12 mm[.472 in]

### Usage Conditions

Operating Temperature Range	-40 – 70 °C[-40 – 158 °F]
-----------------------------	---------------------------

### Operation/Application

Circuit Application	Signal
Shielded	No

### Industry Standards

Performance Category	Cat 3
UL Flammability Rating	UL 94HB

### Packaging Features

Packaging Method	Box
Packaging Quantity	800

### Product Compliance

[For compliance documentation, visit the product page on TE.com>](#)



EU RoHS Directive 2011/65/EU	Compliant
EU ELV Directive 2000/53/EC	Compliant
China RoHS 2 Directive MIIT Order No 32, 2016	No Restricted Materials Above Threshold
EU REACH Regulation (EC) No. 1907/2006	Current ECHA Candidate List: JAN 2025 (247) Candidate List Declared Against: JAN 2025 (247) Does not contain REACH SVHC
Halogen Content	Not Low Halogen - contains Br or Cl > 900 ppm.
Solder Process Capability	Wave solder capable to 265°C

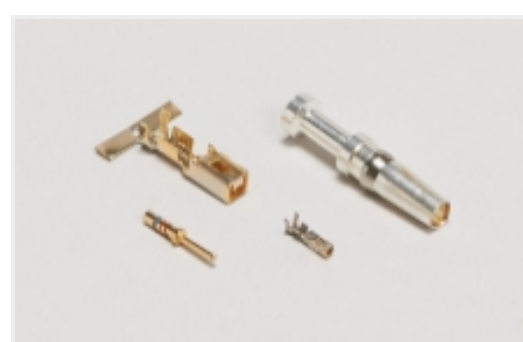
Product Compliance Disclaimer

This information is provided based on reasonable inquiry of our suppliers and represents our current actual knowledge based on the information they provided. This information is subject to change. The part numbers that TE has identified as EU RoHS compliant have a maximum concentration of 0.1% by weight in homogenous materials for lead, hexavalent chromium, mercury, PBB, PBDE, DBP, BBP, DEHP, DIBP, and 0.01% for cadmium, or qualify for an exemption to these limits as defined in the Annexes of Directive 2011/65/EU (RoHS2). Finished electrical and electronic equipment products will be CE marked as required by Directive 2011/65/EU. Components may not be CE marked. Additionally, the part numbers that TE has identified as EU ELV compliant have a maximum concentration of 0.1% by weight in homogenous materials for lead, hexavalent chromium, and mercury, and 0.01% for cadmium, or qualify for an exemption to these limits as defined in the Annexes of Directive 2000/53/EC (ELV). Regarding the REACH Regulation, the information TE provides on SVHC in articles for this part number is based on the latest European Chemicals Agency (ECHA) 'Guidance on requirements for substances in articles' posted at this URL: <https://echa.europa.eu/guidance-documents/guidance-on-reach>

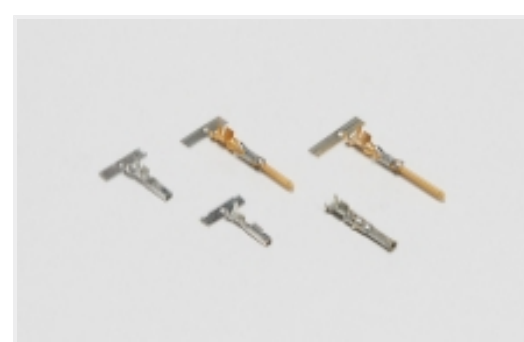
Also in the Series | **OEG Miniature Relay PCF**



Combo Jacks(1)



Connector Contacts(1)



Power Contacts(1)




RJ14 Connectors(1)

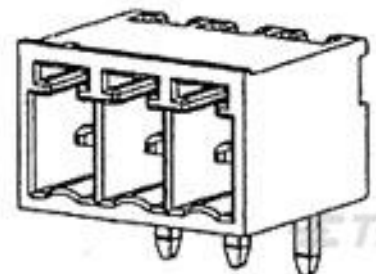


RJ25 Connectors(7)

Customers Also Bought

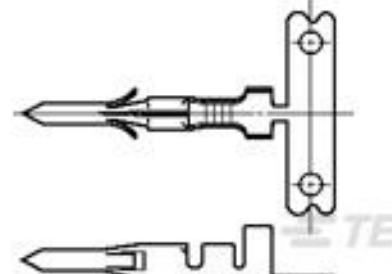
TE Part #34138  
SPLICE, SOLIS, PARA, 12-10



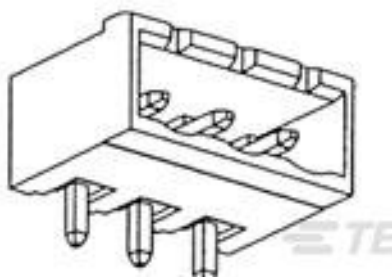
TE Part #284513-6  
6 POS TERMI-BLOK HDR 900 POL.



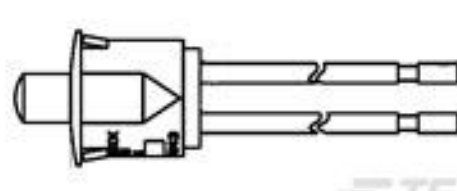
TE Part #3-641216-3  
03P MTA100 HDR ASSY FL/RA LF



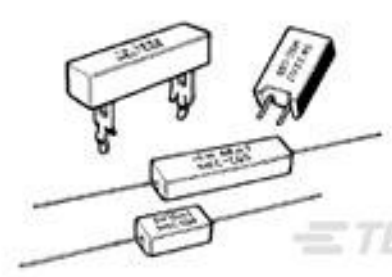
TE Part #794017-1  
.062 CP&S PIN PTPBR L/P 24-18



TE Part #796644-4  
4POS 5.0MM CE R/A HDR,TRM BLK



TE Part #1571485-1  
SWITCH,PUSHBUTTON,SPECIAL




TE Part #1623782-3  
SQM5 15K 5% (METAL FILM)



TE Part #1825027-2  
FSMRA1JH04=R/A,TACT PB SW,160G



TE Part #6-1879501-0  
CRGH2512 5% 300R 2W



TE Part #1-1825955-0  
FSM5JH=6MM TACT SWITCH, HT W /ESD

## Documents

### Product Drawings

[SUBASSY FOR 4/4 PCB MOD.JACK B](#)

English

### CAD Files

[3D PDF](#)

3D

Customer View Model

[ENG\\_CVM\\_CVM\\_9-216444-9\\_K.2d\\_dxf.zip](#)

English

Customer View Model

[ENG\\_CVM\\_CVM\\_9-216444-9\\_K.3d\\_igs.zip](#)

English

Customer View Model

[ENG\\_CVM\\_CVM\\_9-216444-9\\_K.3d\\_stp.zip](#)

English

By downloading the CAD file I accept and agree to the [Terms and Conditions](#) of use.

### Agency Approvals



**UL Report**

English