

927771-3 ✓ ACTIVE

AMP | Junior Power Timer

TE Internal #: 927771-3

Receptacle Terminal, 20 – 17 AWG, .5 – 1 mm² Wire, 2.8 mm [.11 in]

Tab Width, Tin (Sn), .8 mm [.03 in] Tab Thickness, Unsealed, Junior

Power Timer

[View on TE.com >](#)



Automotive Parts > Automotive Terminals > TIMER, RECEPTACLE AND TAB



Terminal Type: **Receptacle**

Wire Size: **20 – 17 AWG**

Mating Tab Width: **2.8 mm [.11 in]**

Interface Plating: **Tin (Sn)**

[All TIMER, RECEPTACLE AND TAB \(280\)](#)

Features

Product Type Features

Receptacle Style	180°
Primary Locking Feature	Locking Lance
Sealable	No

Body Features

Terminal Seal Type	Unsealed
--------------------	----------

Contact Features

Typical Current Rating	30 A
Crimp Type	F-Crimp
Contact Size	2.8mm
Contact Fabrication	Stamped & Formed
Wire Contact Termination Area Plating Material	Tin
Terminal Type	Receptacle
Mating Tab Width	2.8 mm[.11 in]
Interface Plating	Tin (Sn)
Mating Tab Thickness	.8 mm[.03 in]

Termination Features



Termination Method to Wire & Cable	Crimp
Product Terminates To	Wire

Dimensions

Compatible Insulation Diameter Range	1.4 – 2.3 mm [.05 – .09 in]
Wire Size	20 – 17 AWG
Wire Size Search	.5 mm ² , .75 mm ² , 1 mm ²
Tab Length	18.8 mm [.74 in]

Usage Conditions

Insulation Option	Uninsulated
Operating Temperature (Max)	130 °C [266 °F]
Operating Temperature Range	-40 – 130 °C [-40 – 266 °F]

Operation/Application

Compatible With Wire Base Material	Copper
Conforms to Automation Guideline	Yes, DIN 72036 Automation of Wiring Harness Production, Version June 2024, Yes, KOMAX Guideline for automatic component insertion for electrical connections, Version 5.0 (March 2018)

Industry Standards

Compatible With Agency/Standards Products	DIN 72036
---	-----------

Packaging Features

Packaging Method	Reel
Packaging Quantity	4000

Other

Terminal Transmits	25 – 40 A (Power)
--------------------	-------------------

Product Compliance

[For compliance documentation, visit the product page on TE.com>](#)

EU RoHS Directive 2011/65/EU	Compliant
EU ELV Directive 2000/53/EC	Compliant
China RoHS 2 Directive MIIT Order No 32, 2016	有害物质含量符合标准要求 No Restricted Substance(s) Above Threshold
EU REACH Regulation (EC) No. 1907/2006	Current ECHA Candidate List: JUNE 2025 (250)



Candidate List Declared Against: JUNE 2025 (250)
Does not contain REACH SVHC

Halogen Content	Low Halogen - Br, Cl, F < 900 ppm per homogenous material. Also BFR/CFR/PVC Free
Solder Process Capability	Not applicable for solder process capability

Product Compliance Disclaimer

This information is provided based on reasonable inquiry of our suppliers and represents our current actual knowledge based on the information they provided. This information is subject to change. The part numbers that TE has identified as EU RoHS compliant have a maximum concentration of 0.1% by weight in homogenous materials for lead, hexavalent chromium, mercury, PBB, PBDE, DBP, BBP, DEHP, DIBP, and 0.01% for cadmium, or qualify for an exemption to these limits as defined in the Annexes of Directive 2011/65/EU (RoHS2). Finished electrical and electronic equipment products will be CE marked as required by Directive 2011/65/EU. Components may not be CE marked. Additionally, the part numbers that TE has identified as EU ELV compliant have a maximum concentration of 0.1% by weight in homogenous materials for lead, hexavalent chromium, and mercury, and 0.01% for cadmium, or qualify for an exemption to these limits as defined in the Annexes of Directive 2000/53/EC (ELV). Regarding the REACH Regulation, the information TE provides on SVHC in articles for this part number is based on the latest European Chemicals Agency (ECHA) 'Guidance on requirements for substances in articles' posted at this URL: <https://echa.europa.eu/guidance-documents/guidance-on-reach>

Compatible Parts



TE Part # CAT-M9194-CH8172
Multilock Connector Housing



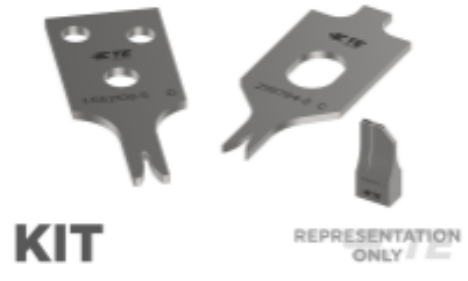
TE Part # 2-1579007-3
EXTRACTION TOOL



TE Part # 7-2151092-7
OCEAN_2.0_SPARE_PART_KIT-080F110OV



TE Part # 4-1579007-3
EXTRACTION TOOL KIT



TE Part # 2394300-1
EXTRACTION TOOL



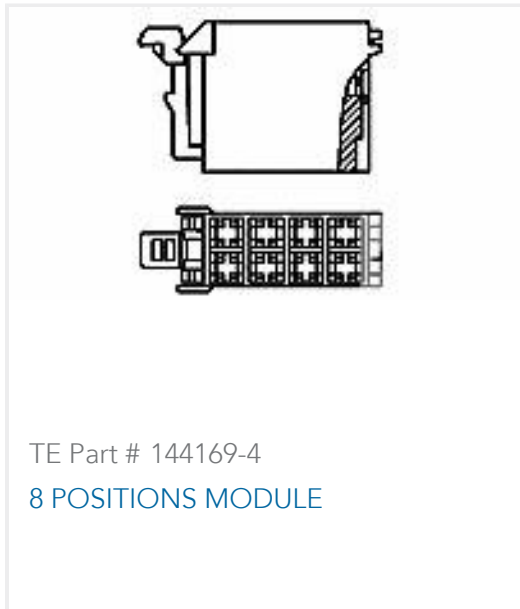
TE Part # 7-2266186-7
OC-080F110OV-752-CRIMPTOOLINGKIT



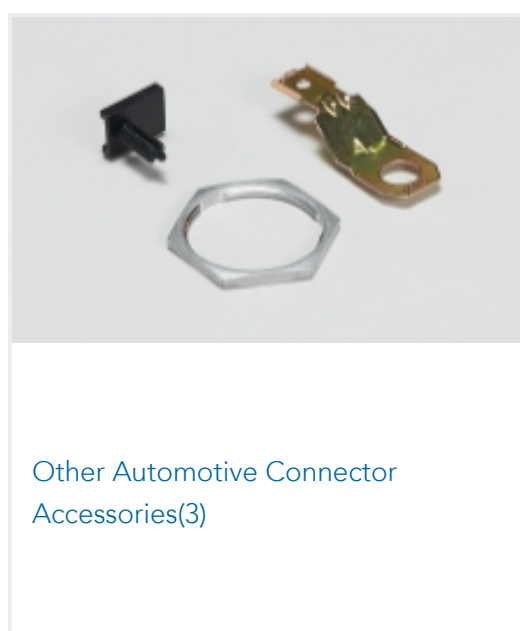
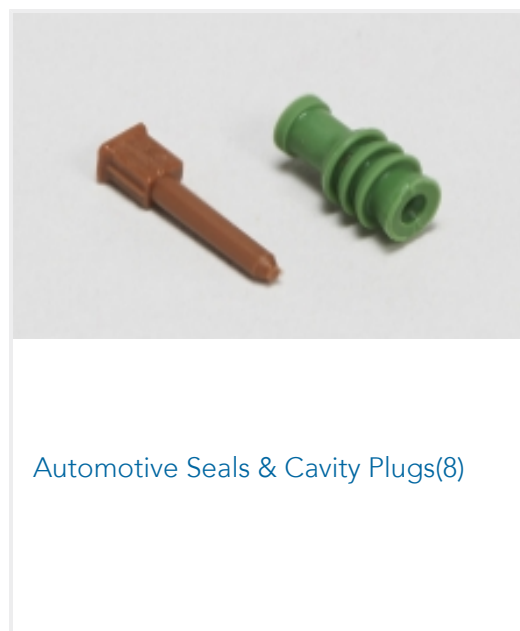
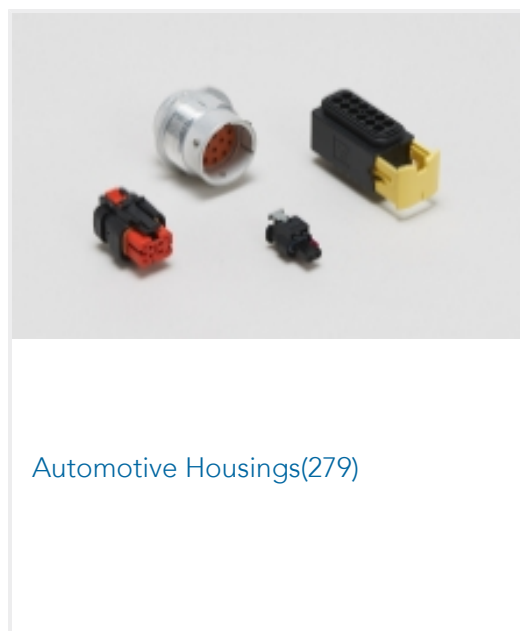
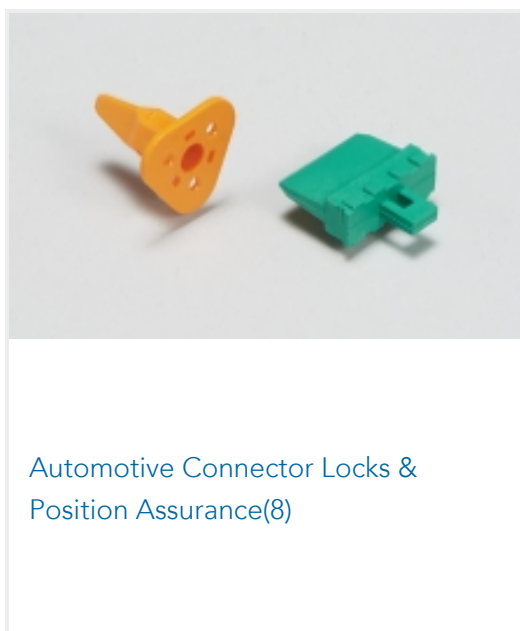
TE Part # 368290-1
JPT & MQS PLUG 81P ASSY



TE Part # 2305570-1
Strip Terminal Cutter-Side Feed-No Crimp



Also in the Series | Junior Power Timer



Customers Also Bought



Documents

Product Drawings

[JPT REC 2.8 Contact SRC Sn](#)

English

[JPT REC 2.8 Contact SRC Sn](#)

English

CAD Files

Customer View Model

[ENG_CVM_927771-3_A9.3d_igs.zip](#)

English

Customer View Model

[ENG_CVM_927771-3_A9.3d_stp.zip](#)

English

Customer View Model

[ENG_CVM_927771-3_A9.2d_dxf.zip](#)

English

3D PDF

English



Product Specifications

Application Specification

English

ERSertissage des Clips Junior Power Timer sur Machine Automatique**

English

Application Specification

German

Application Specification

English

Application Specification

English