

953697-1 ✓ ACTIVE



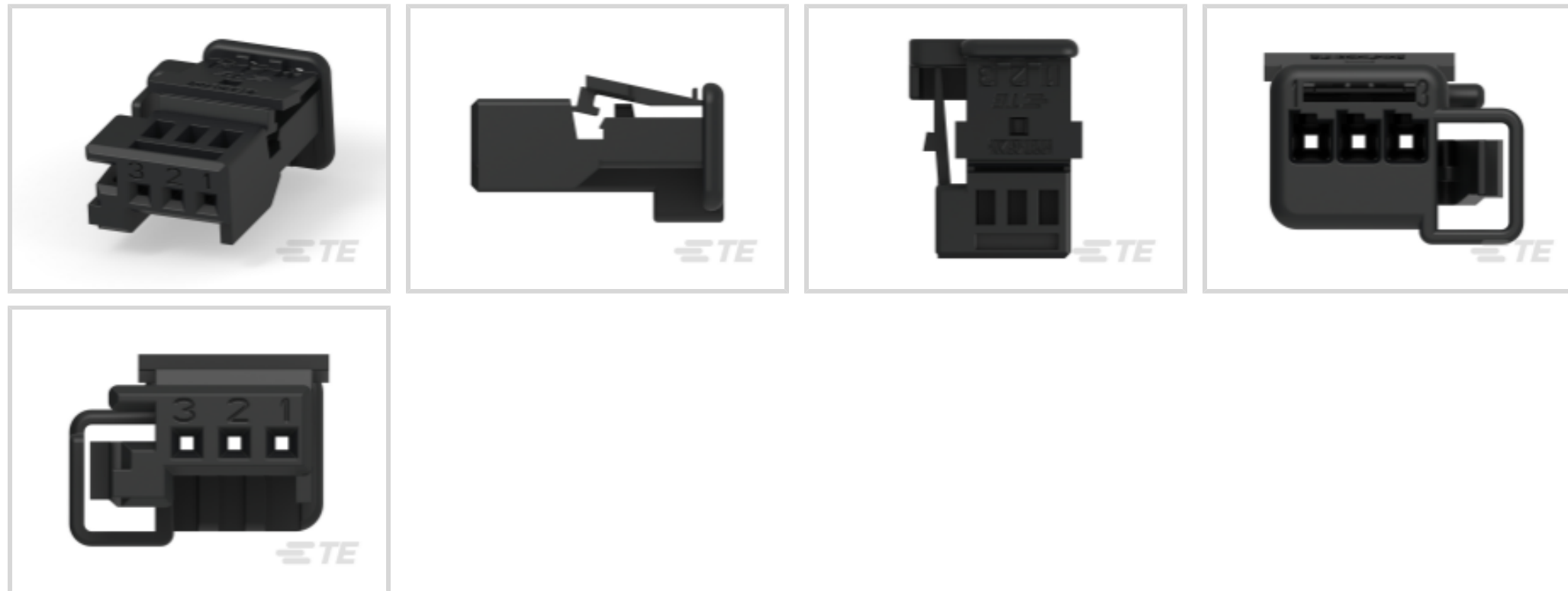
MQS

TE Internal #: 953697-1

12 V, 3 Position, Automotive Housing for Female Terminals, Wire-to-Wire, 2.54 mm [.1 in] Centerline, Black, Wire & Cable, Signal

[View on TE.com >](#)

Automotive Parts > Automotive Connectors > Automotive Housings > MQS 0.63mm Unsealed Connectors



Nominal Voltage Architecture: 12 V

Connector & Housing Type: **Housing for Female Terminals**

Number of Positions: 3

Sealable: **No**

Operating Temperature Range: -40 – 85 °C [-40 – 185 °F]

[All MQS 0.63mm Unsealed Connectors \(140\)](#)

Features

Product Type Features

Mixed & Hybrid Connector	No
Connector Shape	Rectangular
Connector & Housing Type	Housing for Female Terminals
Sealable	No
Primary Locking Feature	Integrated in Housing
Connector System	Wire-to-Wire
Connector & Contact Terminates To	Wire & Cable

Configuration Features

Number of Positions	3
Number of Rows	1

Electrical Characteristics

Operating Voltage	24 VDC
Nominal Voltage Architecture	12 V



Body Features

Cable Exit Angle	180 °
Primary Product Color	Black

Contact Features

Contact Size	.63mm
Contact Type	Receptacle
Mating Tab Width	.63 mm[.02 in]

Mechanical Attachment

Strain Relief	Without
Terminal Position Assurance	Yes
Mating Alignment Type	Keyed
Mating Alignment	With
Connector Mounting Type	Cable Mount (Free-Hanging)

Housing Features

Housing Material	PBT GF
Centerline (Pitch)	2.54 mm[.1 in]

Dimensions

Product Width	13.9 mm[.547 in]
Product Length	17.6 mm[.693 in]
Connector Height	8.6 mm[.339 in]

Usage Conditions

Operating Temperature Range	-40 – 85 °C[-40 – 185 °F]
Operating Temperature (Max)	85 °C[185 °F]

Operation/Application

Circuit Application	Signal
---------------------	--------

Industry Standards

UL Flammability Rating	UL 94HB
------------------------	---------

Packaging Features

Packaging Method	Box
------------------	-----

Other

Serviceable	Yes
-------------	-----



Connector Position Assurance Capable

No

Product Compliance

[For compliance documentation, visit the product page on TE.com>](#)

EU RoHS Directive 2011/65/EU	Compliant
EU ELV Directive 2000/53/EC	Compliant
China RoHS 2 Directive MIIT Order No 32, 2016	有害物质含量符合标准要求 No Restricted Substance(s) Above Threshold
EU REACH Regulation (EC) No. 1907/2006	Current ECHA Candidate List: JUNE 2025 (250) Candidate List Declared Against: JUNE 2025 (250) Does not contain REACH SVHC
Halogen Content	Low Halogen - Br, Cl, F < 900 ppm per homogenous material. Also BFR/CFR/PVC Free
Solder Process Capability	Not reviewed for solder process capability

Product Compliance Disclaimer

This information is provided based on reasonable inquiry of our suppliers and represents our current actual knowledge based on the information they provided. This information is subject to change. The part numbers that TE has identified as EU RoHS compliant have a maximum concentration of 0.1% by weight in homogenous materials for lead, hexavalent chromium, mercury, PBB, PBDE, DBP, BBP, DEHP, DIBP, and 0.01% for cadmium, or qualify for an exemption to these limits as defined in the Annexes of Directive 2011/65/EU (RoHS2). Finished electrical and electronic equipment products will be CE marked as required by Directive 2011/65/EU. Components may not be CE marked. Additionally, the part numbers that TE has identified as EU ELV compliant have a maximum concentration of 0.1% by weight in homogenous materials for lead, hexavalent chromium, and mercury, and 0.01% for cadmium, or qualify for an exemption to these limits as defined in the Annexes of Directive 2000/53/EC (ELV). Regarding the REACH Regulation, the information TE provides on SVHC in articles for this part number is based on the latest European Chemicals Agency (ECHA) 'Guidance on requirements for substances in articles' posted at this URL: <https://echa.europa.eu/guidance-documents/guidance-on-reach>

Compatible Parts



TE Part # CAT-N02-MUC063
MQS 0.63mm Unsealed Connectors



TE Part # 144969-1
MQS0,63 Sn rec LL unseal. 0,2-0,6



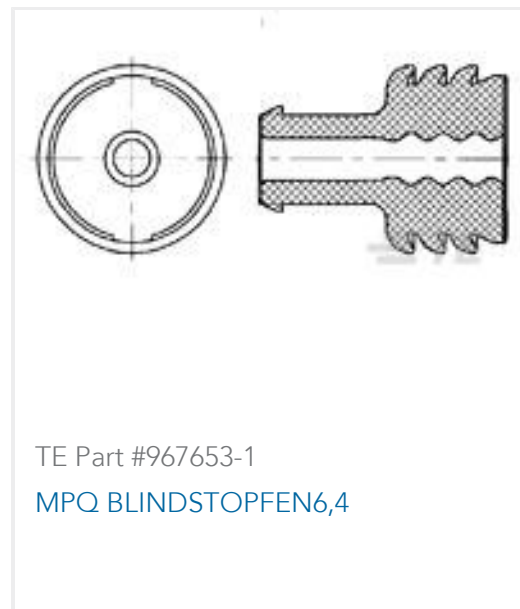
TE Part # 1563144-1
3POS,TAB 0.63X0.64,HEADER ASSY,BK



TE Part # CAT-M8793-T273
MQS, RECEPTACLE AND TAB



Customers Also Bought



Documents

Product Drawings

[3POS MQS REC](#)

English

CAD Files

[3D PDF](#)

English

[Customer View Model](#)

[ENG_CVM_953697-1_A.3d_igs.zip](#)



English

Customer View Model

[ENG_CVM_953697-1_A.3d_stp.zip](#)

English

Customer View Model

[ENG_CVM_953697-1_A.2d_dxf.zip](#)

English

By downloading the CAD file I accept and agree to the [Terms and Conditions](#) of use.

Product Specifications

[Product Specification](#)

French

Instruction Sheets

[Instruction Sheet \(non U.S.\)](#)

English