

962191-1 ✓ ACTIVE

AMP | Junior Timer

TE Internal #: 962191-1

12 V / 24 V, 8 Position, Automotive Housing for Female Terminals,
Wire-to-Wire, 6 mm [.236 in] Centerline, Brown, Wire & Cable,
Power, Junior Timer

[View on TE.com >](#)



Automotive Parts > Automotive Connectors > Automotive Housings > Timer Connector Housing



Nominal Voltage Architecture: 12 V, 24 V

Connector & Housing Type: **Housing for Female Terminals**

Number of Positions: 8

Sealable: **No**

Operating Temperature Range: -40 – 130 °C [-40 – 266 °F]

[All Timer Connector Housing \(436\)](#)

Features

Product Type Features

Mixed & Hybrid Connector	No
Connector Shape	Rectangular
Connector & Housing Type	Housing for Female Terminals
Sealable	No
Primary Locking Feature	On the Terminal
Connector System	Wire-to-Wire
Connector & Contact Terminates To	Wire & Cable

Configuration Features

Number of Positions	8
Number of Rows	2

Electrical Characteristics

Nominal Voltage Architecture	12 V, 24 V
------------------------------	------------



Body Features

Cable Exit Angle	180 °
Primary Product Color	Brown
Connector & Keying Code	Neutral

Contact Features

Contact Size	2.8mm
Contact Type	Receptacle
Mating Tab Width	2.8 mm[.11 in]
Contact Current Rating (Max)	30 A

Mechanical Attachment

Strain Relief	Without
Terminal Position Assurance	No
Mating Alignment Type	Polarization
Mating Alignment	With
Connector Mounting Type	Cable Mount (Free-Hanging)

Housing Features

Housing Material	PA 6.6
Centerline (Pitch)	6 mm[.236 in]

Dimensions

Product Width	12.6 mm[.496 in]
Row-to-Row Spacing	5 mm[.197 in]
Product Length	34.5 mm[1.358 in]
Connector Height	23 mm[.906 in]

Usage Conditions

Operating Temperature Range	-40 – 130 °C[-40 – 266 °F]
Operating Temperature (Max)	130 °C[266 °F]

Operation/Application

Circuit Application	Power
---------------------	-------

Industry Standards

UL Flammability Rating	UL 94HB
------------------------	---------

Packaging Features

Packaging Method	Package
------------------	---------



Other

Serviceable	No
Connector Position Assurance Capable	No

Product Compliance

[For compliance documentation, visit the product page on TE.com>](#)

EU RoHS Directive 2011/65/EU	Compliant
EU ELV Directive 2000/53/EC	Compliant
China RoHS 2 Directive MIIT Order No 32, 2016	有害物质含量符合标准要求 No Restricted Substance(s) Above Threshold
EU REACH Regulation (EC) No. 1907/2006	Current ECHA Candidate List: JUNE 2025 (250) Candidate List Declared Against: JUNE 2025 (250) Does not contain REACH SVHC
Halogen Content	Low Halogen - Br, Cl, F < 900 ppm per homogenous material. Also BFR/CFR/PVC Free
Solder Process Capability	Not applicable for solder process capability

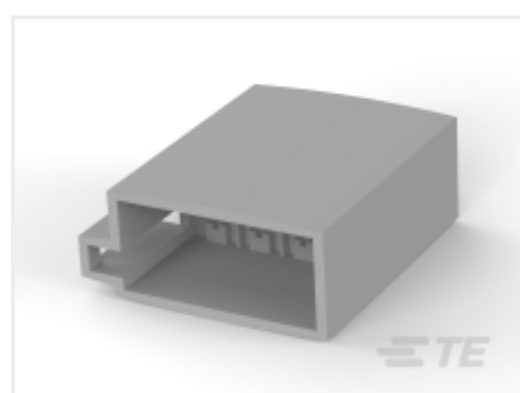
Product Compliance Disclaimer

This information is provided based on reasonable inquiry of our suppliers and represents our current actual knowledge based on the information they provided. This information is subject to change. The part numbers that TE has identified as EU RoHS compliant have a maximum concentration of 0.1% by weight in homogenous materials for lead, hexavalent chromium, mercury, PBB, PBDE, DBP, BBP, DEHP, DIBP, and 0.01% for cadmium, or qualify for an exemption to these limits as defined in the Annexes of Directive 2011/65/EU (RoHS2). Finished electrical and electronic equipment products will be CE marked as required by Directive 2011/65/EU. Components may not be CE marked. Additionally, the part numbers that TE has identified as EU ELV compliant have a maximum concentration of 0.1% by weight in homogenous materials for lead, hexavalent chromium, and mercury, and 0.01% for cadmium, or qualify for an exemption to these limits as defined in the Annexes of Directive 2000/53/EC (ELV). Regarding the REACH Regulation, the information TE provides on SVHC in articles for this part number is based on the latest European Chemicals Agency (ECHA) 'Guidance on requirements for substances in articles' posted at this URL: <https://echa.europa.eu/guidance-documents/guidance-on-reach>

Compatible Parts

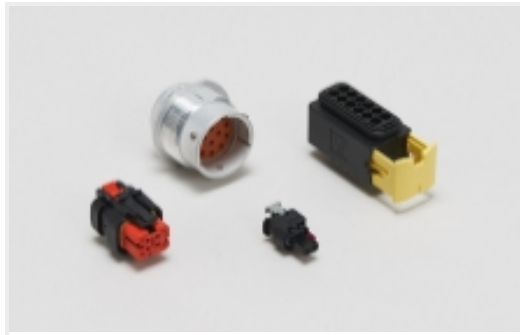


TE Part # CAT-T4827-CH8172
Timer Connector Housing



TE Part # 106455-3
FF 110 PLUG HSG 8P.

Also in the Series | Junior Timer



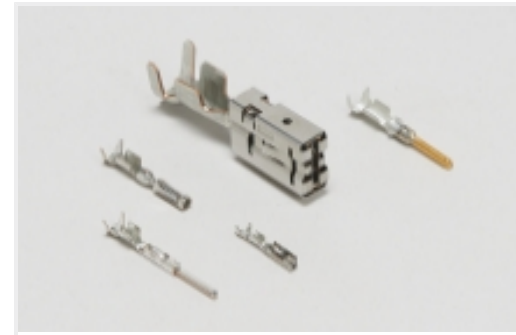
Automotive Housings(38)



Automotive Signal & Power Connector Housings(38)



Automotive Signal & Power Headers(3)

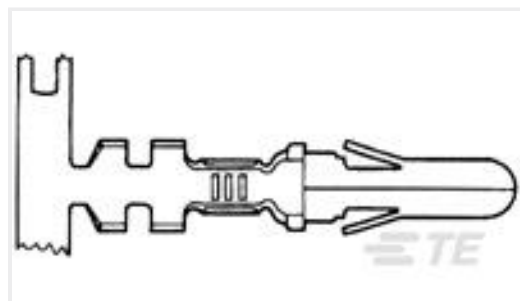


Automotive Terminals(13)

Customers Also Bought



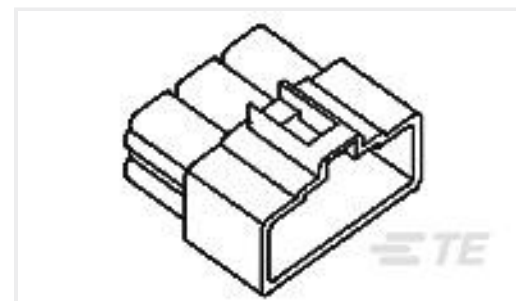
TE Part #2600154013
ATUM-19/6-2-SP



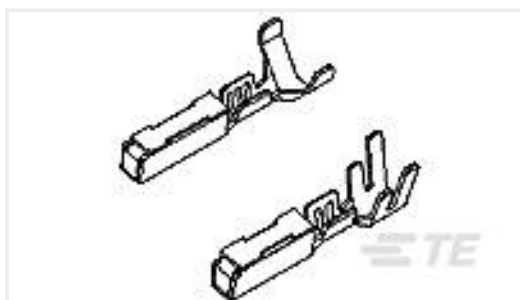
TE Part #61627-1
.140 DIA PIN 20-14 PTPBR



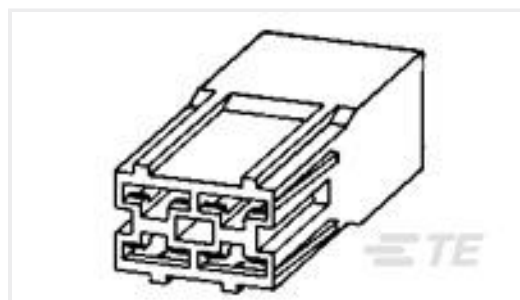
TE Part #66579-2
TYPE VI PIN CONT, MULTI-MATE



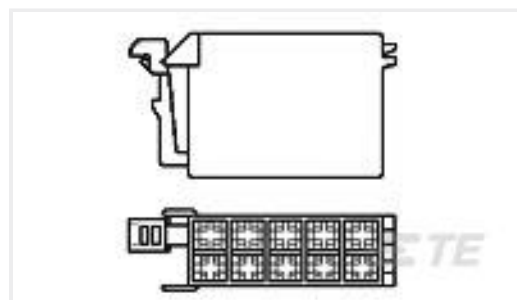
TE Part #171897-1
FF 250 REC HSG 6P NYLON NAT



TE Part #173716-2
040 HDIO REC CONT



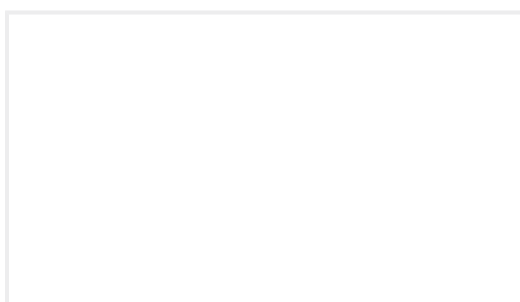
TE Part #280073
FF 375 REC HSG 4P NYLON NAT



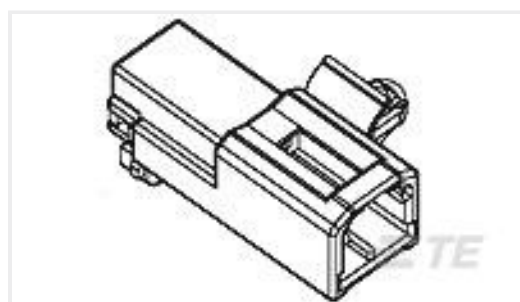
TE Part #962190-1
10P JUNIOR-TIMER GH



TE Part #2333538-1
MATENET, 2X3-PORT, PLUG ASSY,
CONN, KIT



TE Part #044391-000
222K163-15/86-0



TE Part #178602-1
070 MULTILOC CAP HSG PANEL LOC

Documents

Product Drawings

8P JUNIOR-TIMER HSG

German

CAD Files

Customer View Model

ENG_CVM_962191-1_B3.3d_igs.zip



English

Customer View Model

[ENG_CVM_962191-1_B3.3d_stp.zip](#)

English

Customer View Model

[ENG_CVM_962191-1_B3.2d_dxf.zip](#)

English

[3D PDF](#)

English

By downloading the CAD file I accept and agree to the [Terms and Conditions](#) of use.

Datasheets & Catalog Pages

[889759_3_Timer_Interconnection_System](#)

English