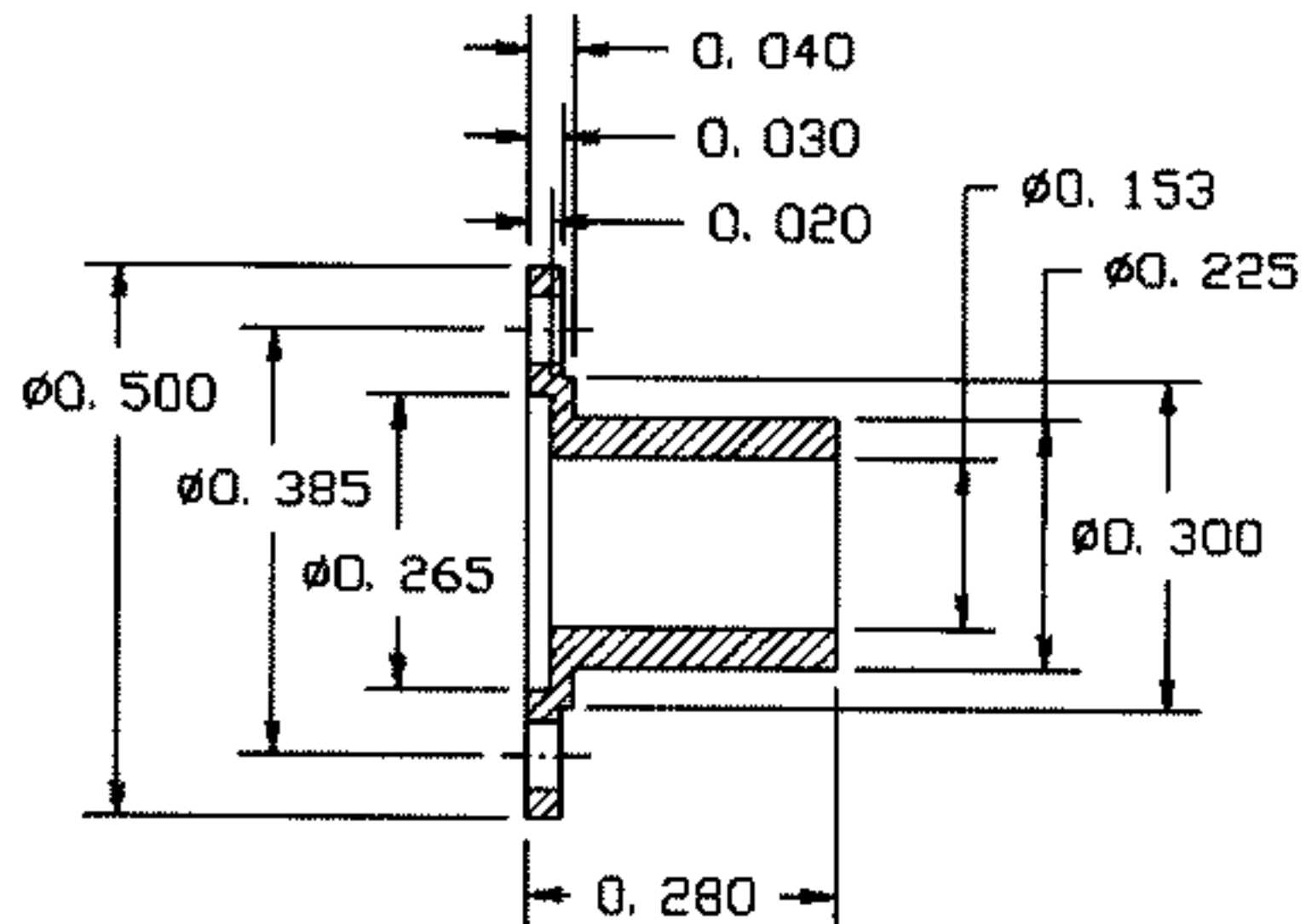
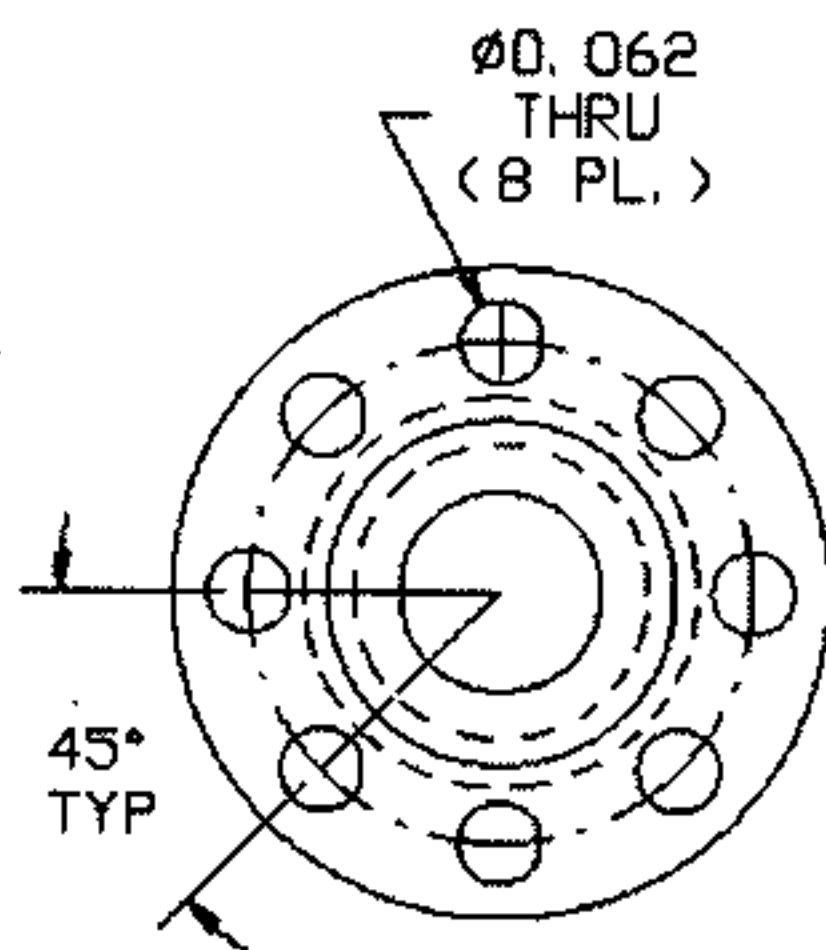


GROUND TERMINALS

09-0016-1-05

BASIC PART NO FINISH

**8 POINT
MULTI-TIE**

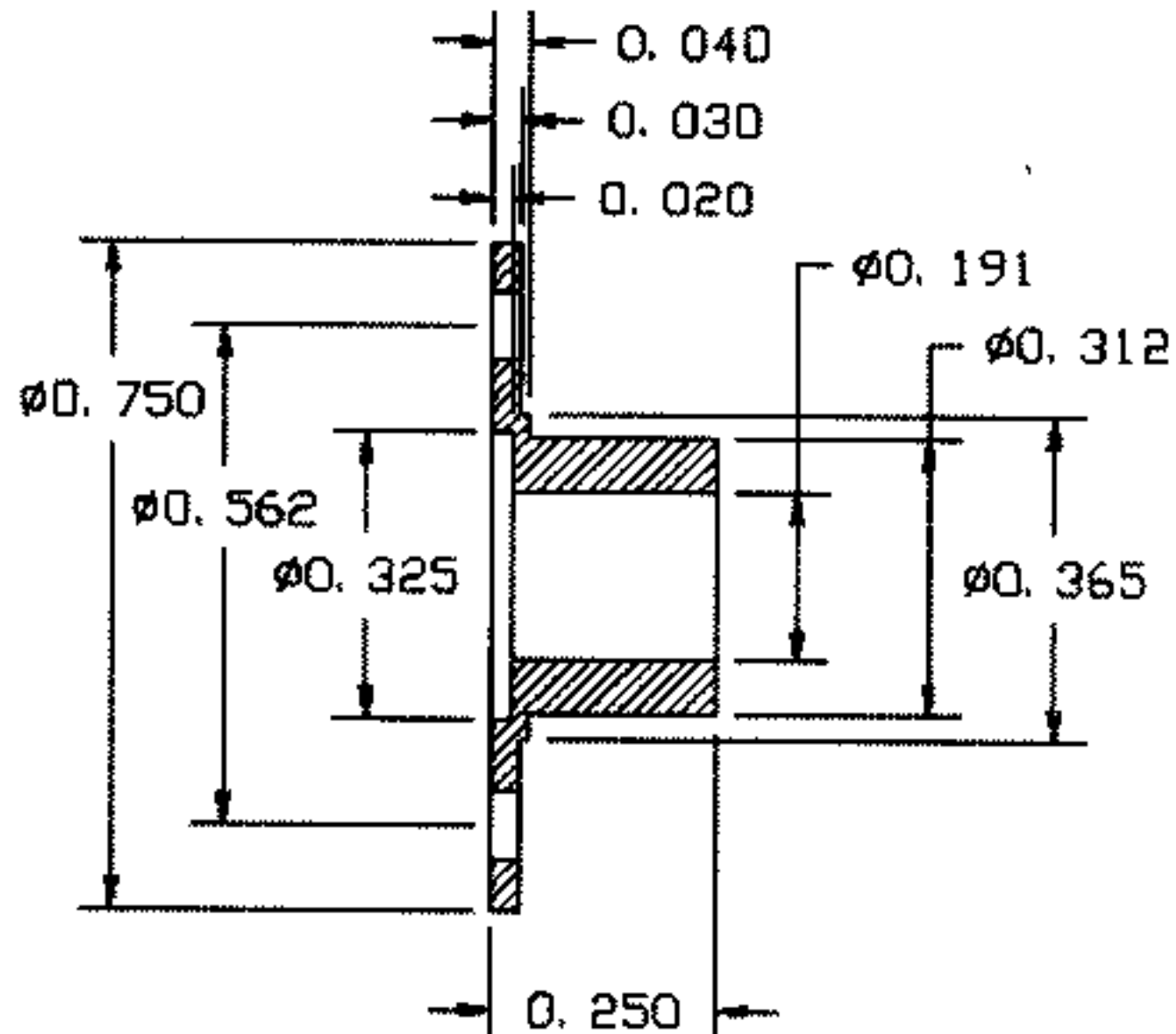
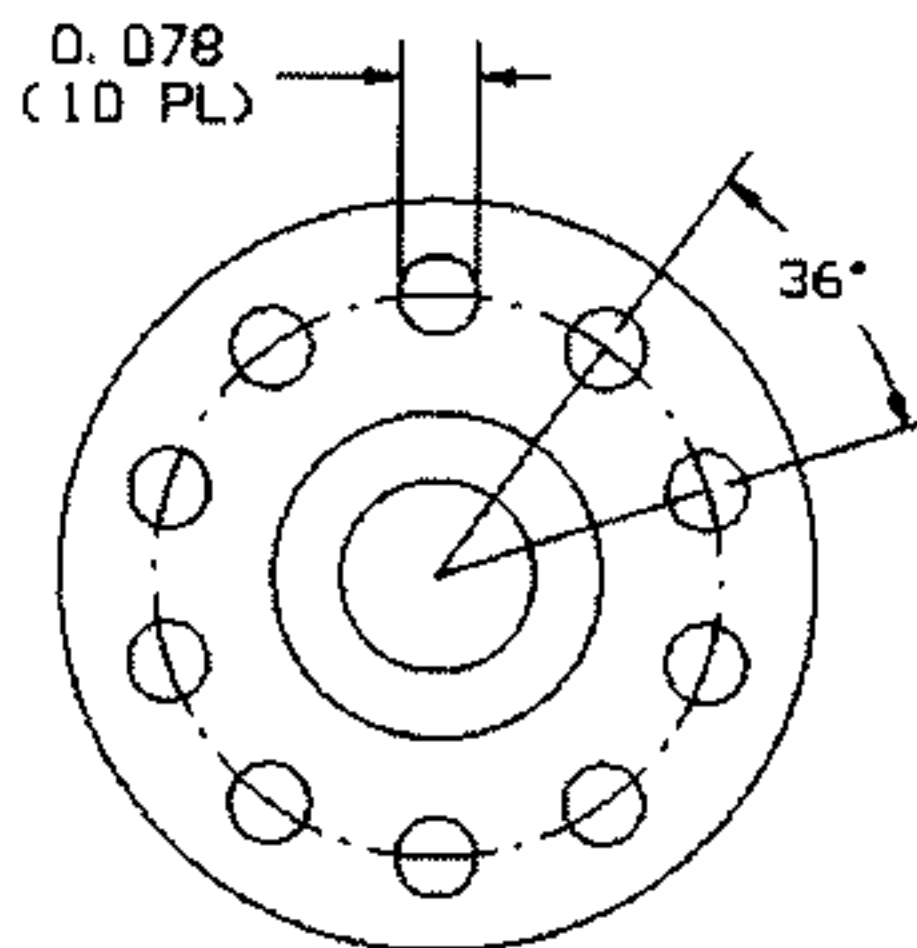


BASIC PART NO.	COMPONENT	MATERIAL	FINISH
09-0016-1	TERMINAL	BRASS	ELECTRO-SOLDER

09-0017-1-05

BASIC PART NO FINISH

**10 POINT
MULTI-TIE**

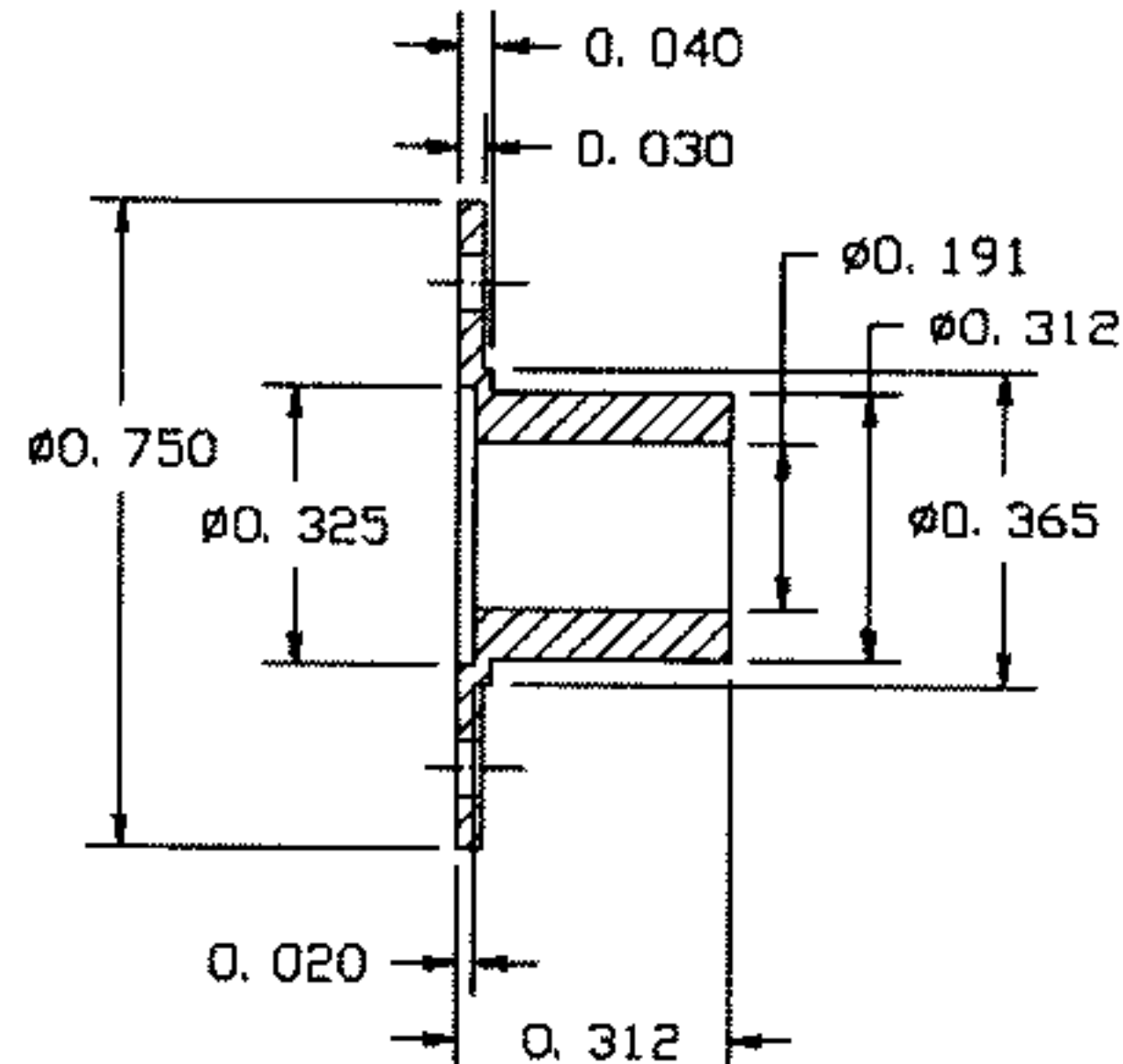
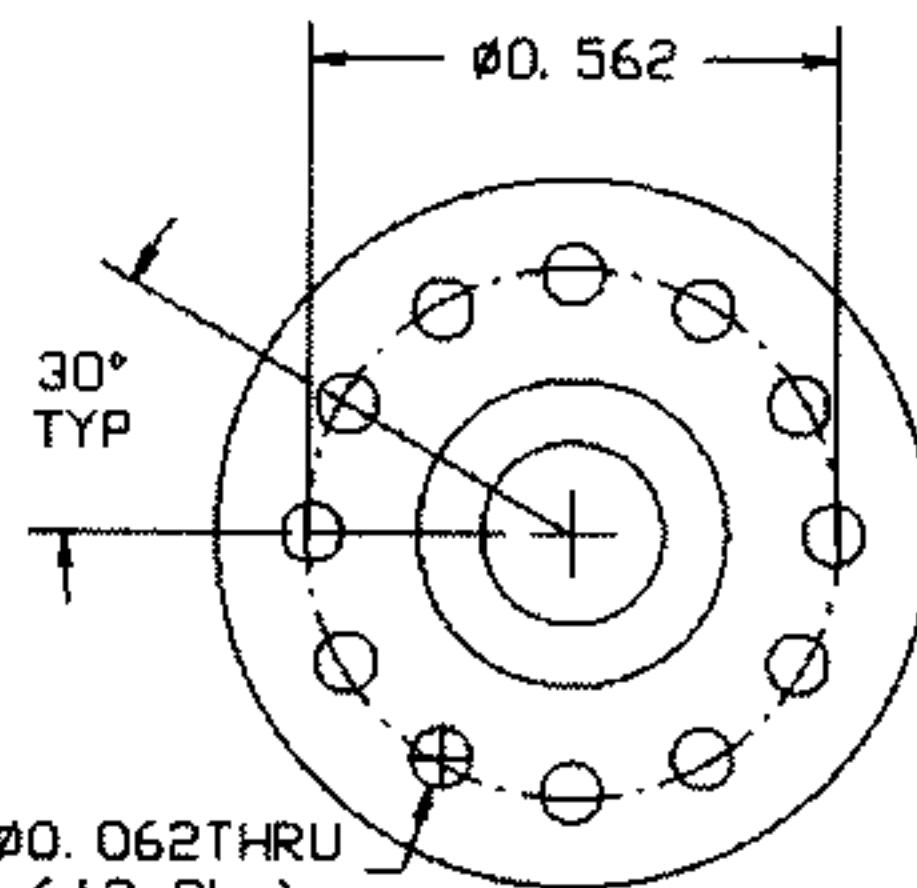


BASIC PART NO.	COMPONENT	MATERIAL	FINISH
09-0017-1	TERMINAL	BRASS	ELECTRO-SOLDER

09-0018-1-05

BASIC PART NO FINISH

**12 POINT
MULTI-TIE**

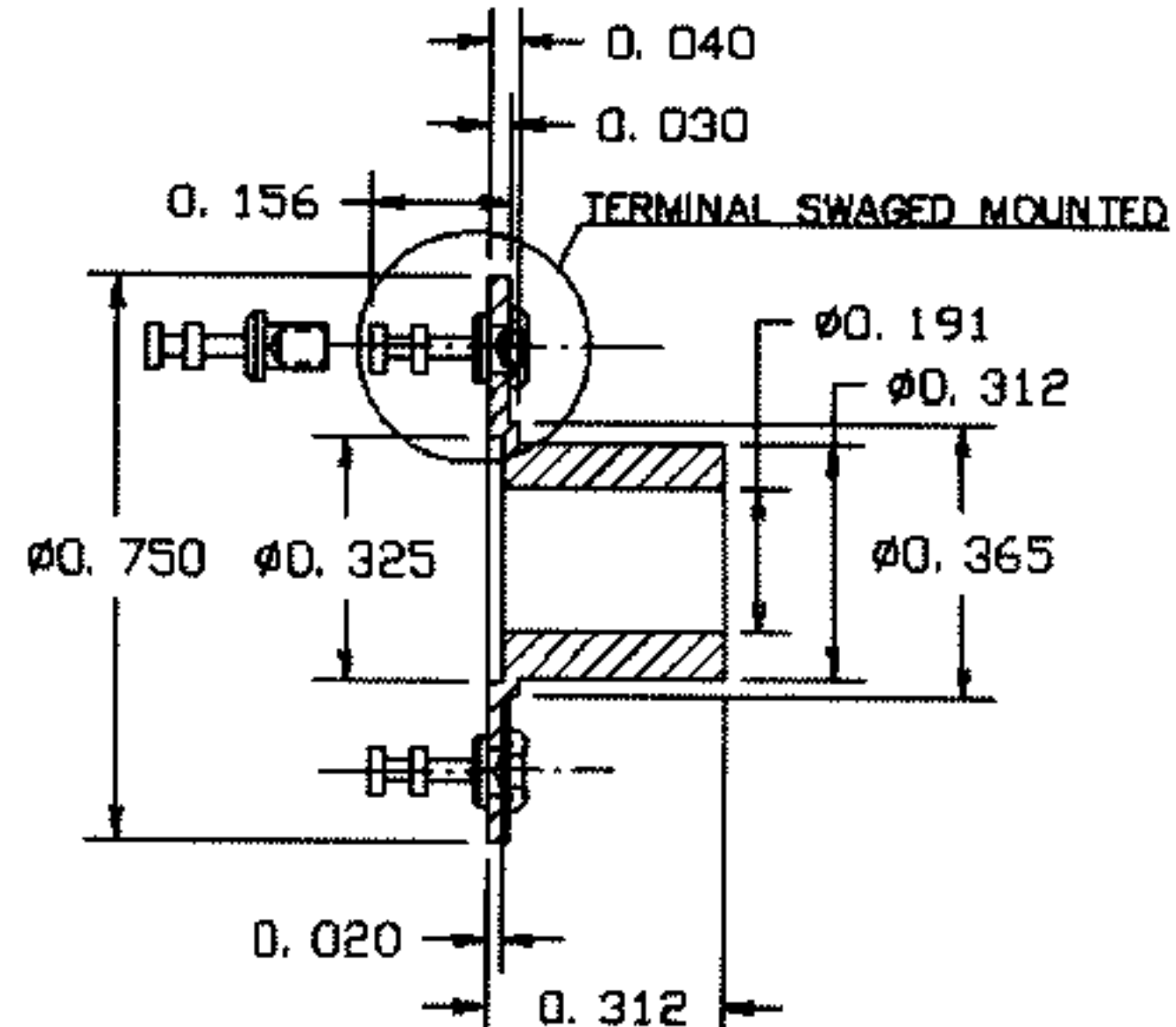
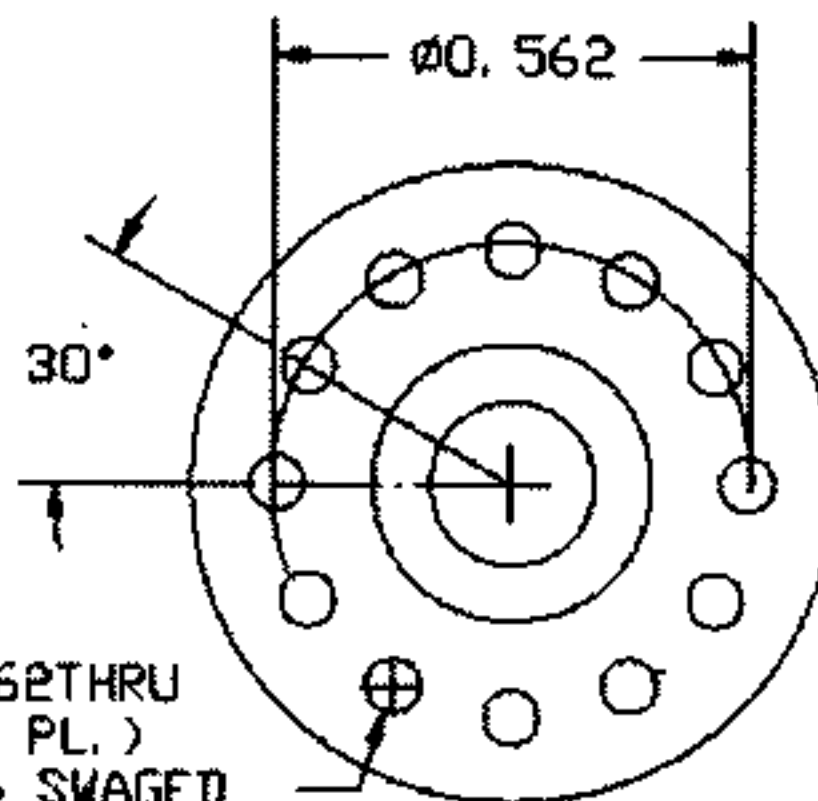


BASIC PART NO.	COMPONENT	MATERIAL	FINISH
09-0018-1	TERMINAL	BRASS	ELECTRO-SOLDER

90-9601-1-05

BASIC PART NO FINISH

**GROUND TERMINAL WITH
TERMINAL STUD**



BASIC PART NO.	COMPONENT	MATERIAL	FINISH
90-9601-1	TERMINAL	BRASS	ELECTRO-SOLDER

FOR ADDITIONAL SIZES AND MATERIALS, CONTACT FACTORY

CONCORD