

# Application Note 1

**CALRAD** <sup>®</sup>  
**Electronics**

For technical assistance call: 323-465-2131



30-295T

30-489T

**30-295T**  
**Solderless 3.5mm**  
**Chassis Mount\Inline**  
**Stereo Jack**

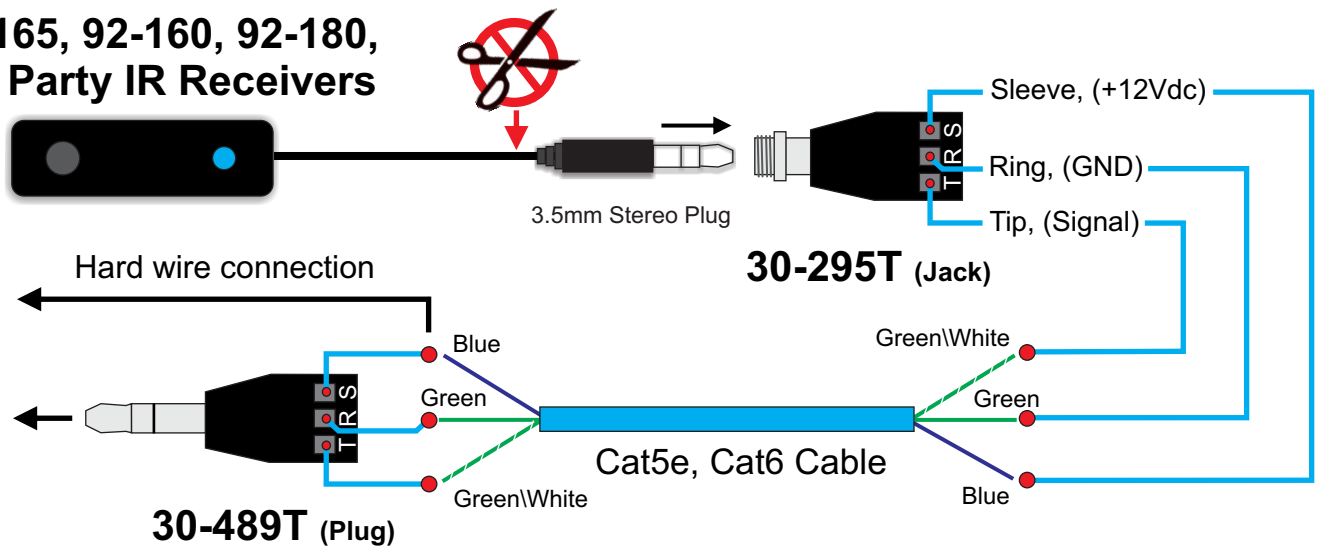
**30-489T**  
**Solderless 3.5mm**  
**Inline Male Stereo Plug**

## Description

The Calrad 30-295T, 30-489T 3.5mm jack and plug solderless connectors can be used to create a simple terminal based mono or stereo connections that can be used for IR connectivity, speaker, headphone audio level connectivity using Cat5e or Cat6 cabling or for any other audio, video, data, connectivity using shielded cabling. On the example below typical IR receivers, IR emitters have very small size wire gauges that are difficult to manage and connect to, if you cut the 3.5mm plug off and try to extend it using wire nuts, jelly beans, soldering irons, etc., its difficult or impossible to create a reliable solid connection. Use the connectors for mono or stereo applications. Use for M-F, M-M, F-F connections.

## Typical Application: (Extending IR Receivers with 3.5mm plugs)

**92-165, 92-160, 92-180,**  
**3rd Party IR Receivers**



**To 92-160, 92-180, 3rd party**  
**IR Distribution Blocks**

## Specifications

**30-489T:** 3.5mm Male plug to 3 position terminals

**30-295T:** 3.5mm Female chassis mount jack to 3 position terminals

**Chassis Mount Hole Size:** .31", 7.9mm

**Terminal Screws:** Slotted-Phillips, use 2mm-2.5mm screw driver

**Accepts Wire Size:** 22-30 Awg.

**Connector Material:** Nickel plating

Drawing No. 30295T-30489T-3042015-WB

[www.calrad.com](http://www.calrad.com)