

Tech Specs

Dielectric Strength

UL/CSA: 1000V-live to dead metal parts

Electrical Life

100,000 cycles- maintained
50,000 cycles- momentary
50,000 cycles- T-rating

Operating Temperature

32°F to 185°F (0°C to 85°C)

Ordering Scheme

Sample Part Number **651 122 - B B - A N**

Selection 1 2 3 4 5 6

1. SERIES

651 Matte Finish **652** Gloss Finish

2. CIRCUITRY / RATING / TERMINATION

	.187 Solder Lugs	.187 Tabs	PC Terms	PC Rt.	Wire Angle
10A 250VAC, 10A 125VAC, 1/4 HP, 125-250 VAC					
Leads					
ON-NONE-OFF	121	122	123	124	125
(ON)-NONE-OFF	261 ¹	262	263	264	265
ON-NONE-(OFF)	361 ¹	362	363	364	365
ON-NONE-ON	421	422	423	424	425
ON-NONE-(ON)	561 ¹	562	563	564	565
ON-OFF-ON	681 ²	682	683	684	686
ON-OFF-(ON)	781 ²	782	783	784	785
(ON)-OFF-(ON)	881 ²	882	883	884	885

3. ACTUATOR COLOR

B Black **W** White

4. BASE COLOR

B Black **W** White

5. ROCKER LEGEND

	molded in ⁴	hot stamp
NO LEGEND	0	O
Off-On vertical	1	A
Off-On horizontal	-	B
I-O horizontal	8	D
I-O vertical	9	E
O on rocker end	-	F
II-O-I vertical	-	G
II-O-I horizontal	-	H

6. VISI-ROCKER END / LEGEND COLOR

N N/A
B Black
V Visi-red
W White

Notes:

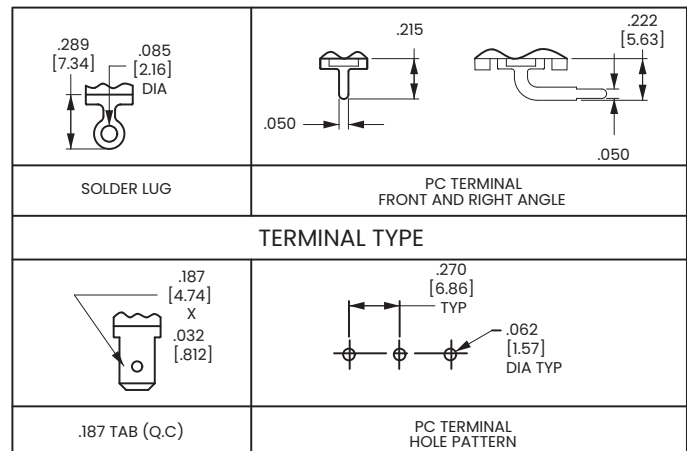
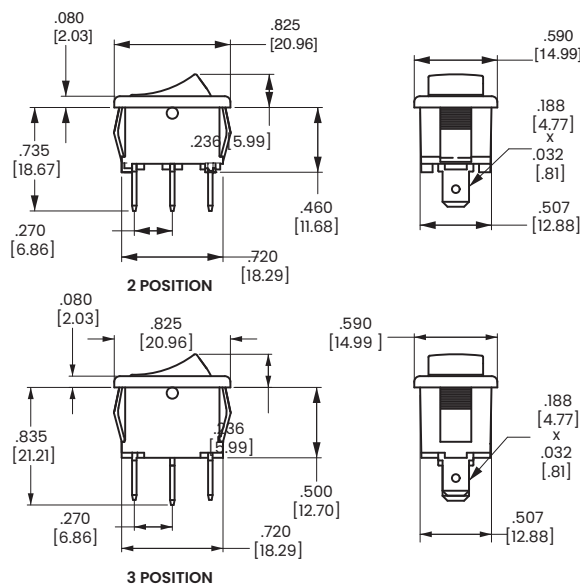
- Additional ratings (including 14V T) & color options are available; Consult factory.
- ¹ Rated 12A 125VAC, 6A 250 VAC, 1/4HP 125-250VAC.
- ² Rated 8A 125-250VAC, 1/4HP 125-250VAC.
- ³ Additional colors available. Consult factory for details.
- ⁴ Available with Visi-Rocker option only.
- () Indicates momentary function.

[Configure Complete Part Number >](#)

[Browse Standard Parts >](#)

Dimensional Specs

inches [millimeters]



RECOMMENDED PANEL THICKNESS	A	B	
.030 [.76] - .050 [1.27]	.508 [12.90]	.756 [19.20]	
.050 [1.27] - .078 [1.98]	.508 [12.90]	.764 [19.40]	
.078 [1.98] - .125 [3.17]	.508 [12.90]	.780 [19.81]	

TEST CUT HOLE IN ACTUAL MATERIAL

Authorized Sales Representatives and Distributors

Click on a region of the map below to find your local representatives and distributors or visit www.carlingtech.com/findarep.



About Carling

Founded in 1920, Carling Technologies is a leading manufacturer of electrical and electronic switches and assemblies, circuit breakers, electronic controls, power distribution units, and multiplexed power distribution systems. With six ISO9001 and IATF16949 registered manufacturing facilities and technical sales offices worldwide, Carling Technologies Sales, Service and Engineering teams do much more than manufacture electrical components, they engineer powerful solutions! To learn more about Carling please visit www.carlingtech.com/company-profile.

To view all of Carling's environmental, quality, health & safety certifications please visit www.carlingtech.com/environmental-certifications.

© Carling Technologies, Inc.

3. Carling, Visi-Rocker are registered trademarks of Carling Technologies, Inc. in the U.S. and other countries.