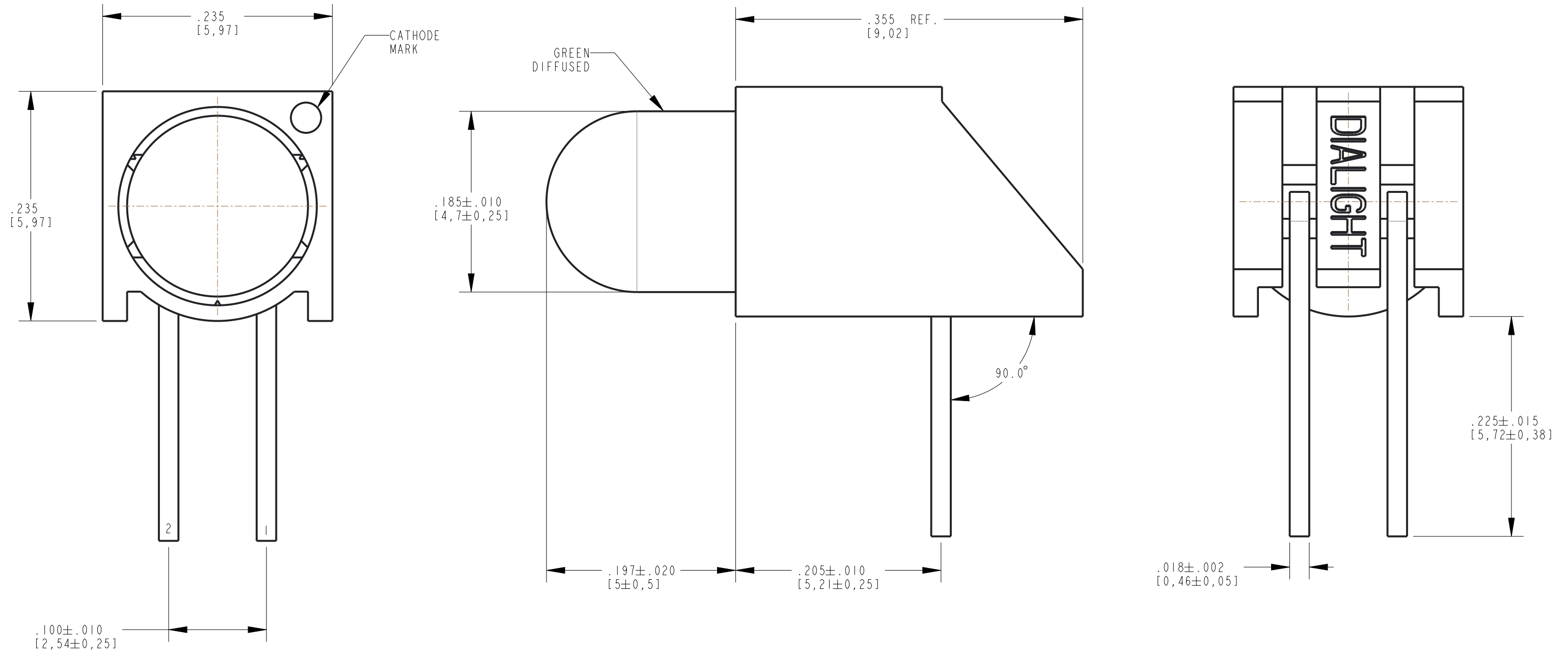
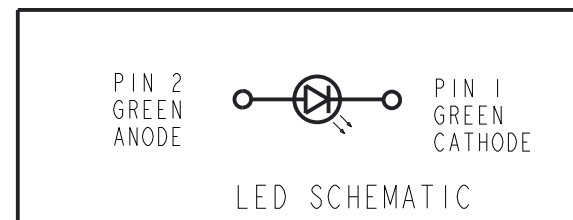


REV	ECN NO	REVISIONS	DRN	CKD	APP	DATE
A	105753	NEW RELEASE	LD	NO	CS	8-3-23



ABSOLUTE MAXIMUM RATINGS AT 25°C AMBIENT	VALUES	UNITS
POWER DISSIPATION	135	mW
CONTINUOUS FORWARD CURRENT	25	mA
PEAK FORWARD CURRENT (1/10 DUTY CYCLE, 10ms PULSE WIDTH)	90	mA
REVERSE VOLTAGE	5	V
REFLOW SOLDERING TEMPERATURE FOR 5 SEC.	260	°C
OPERATING TEMPERATURE	-20 TO +100	°C
STORAGE TEMPERATURE	-40 TO +100	°C

OPERATING CHARACTERISTICS AT 25°C AMBIENT										
LED COLOR	TEST CONDITION (mA)	LUMINOUS INTENSITY (mcd)		FORWARD VOLTAGE (V)		PEAK WAVELENGTH (nm)		REVERSE CURRENT (uA)	VIEWING ANGLE (DEGREES)	
		TYP	MIN	TYP	MAX	TYP	MAX	TYP	MAX	TYP
GREEN	10	4.7	—	—	2.1	2.7	565	—	10	60



NOTES:

- LED LEAD DIMENSIONS SHOWN ARE MEASURED AT HOUSING EXIT.
- LEADS TO FIT INTO HOLES SPACED AS PER PATTERN.
- PIN NUMBERS FOR REFERENCE ONLY, DESIGNATION NON-EXISTENT ON PART.
- DIALIGHT PART NUMBERS: 550-2207-811F.
- THIS ASSEMBLY CONTAINS ELECTROSTATIC DISCHARGE SENSITIVE DEVICES (ESDS). MAINTAIN ALL PRECAUTIONARY MEASURES DURING ASSEMBLY, HANDLING, AND STORAGE IN ACCORDANCE WITH IPC-A-610

THIS DRAWING AND THE CONTENTS HEREIN ARE CONFIDENTIAL AND THE SOLE PROPERTY OF DIALIGHT CORP. REPRODUCTION OF THIS DRAWING OR CONSTRUCTION OF ANY PARTS WITHIN THIS DRAWING ARE FORBIDDEN WITHOUT THE WRITTEN CONSENT OF DIALIGHT CORP.

SCALE: 5.000	DRAWING NUMBER	REV
ALL DIM'S: INCH (mm)	C-18681	A
TOLERANCES: UNLESS OTHERWISE SPECIFIED	TITLE: CUSTOM 5MM LED CB1	
FRACTIONS: ±1/64	MATERIAL	
DECIMALS (.XX): ±.01	FINISH	
DECIMALS (.XXX): ±.005	FSCM 83330	
DECIMALS (.XXXX): ±.0005	SHEET 1 OF 1 FAMILY TABLE:	
ANGLES: ±1°	Dialight 1501 ROUTE 34 SOUTH FARMINGDALE, NJ 07727 (732) 919-3119 www.dialight.com	