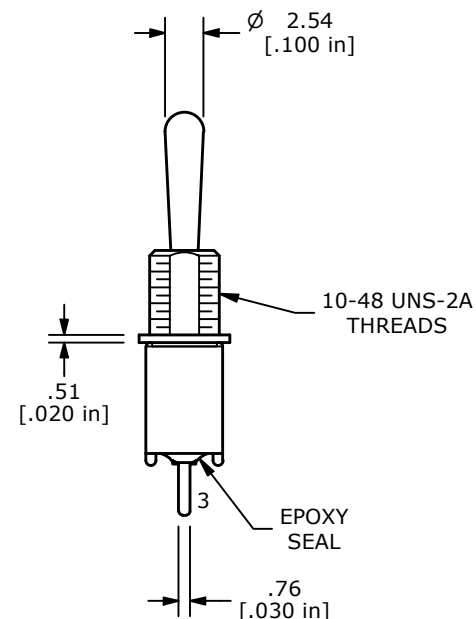
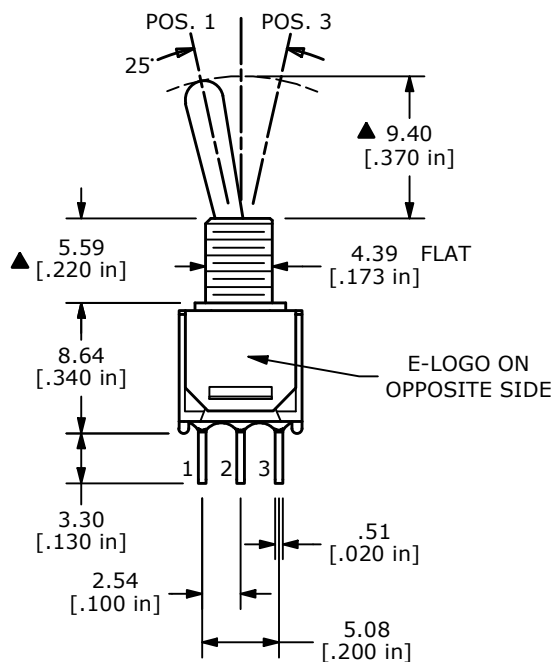
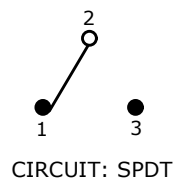


▲ SWITCH FUNCTION		
POS. 1	POS. 2	POS. 3
ON	NONE	ON
2-3	N/A	2-1



- NOTE:
- ALL DIMENSIONS IN MM [INCH]
 - GENERAL TOLERANCE: X.X = ±0.4
X.XX = ±0.25
 - TERMINAL NUMBERS FOR REF ONLY
 - PLATING MATERIAL: SILVER
 - RATING: 3 AMPS @ 120VAC or 28VDC UL, CUL
1 AMPS @ 250VAC UL, CUL
 - ELECTRICAL LIFE: 6,000 MAKE-AND-BREAK CYCLES AT FULL LOAD.
 - INSULATION RESISTANCE: 1,000 MEGA-OHM MIN.
 - DIELECTRIC STRENGTH: 1,000 V RMS @ SEA LEVEL
 - OPERATING TEMP.: -40°C to 85°C
 - ▲ DENOTES CRITICAL PARAMETER.
 - HARDWARE INCLUDED: T200001 - HEXNUT (2)
T200000 - LOCKWASHER (1)
T200002 - LOCKRING (1)

REV	ECO NO	DESCRIPTION	DATE	BY
D	ECO-103186	print update	01/24/25	MW



OBJECT ID
000023273

TITLE 200MSP1T1B1M2QEH				
SCALE 2:1	DATE 3/6/2007	DR MM	DWG ST211018	REV D