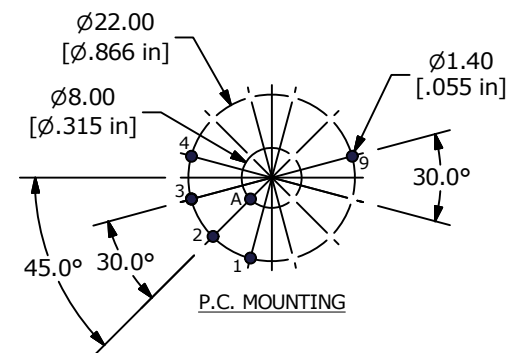
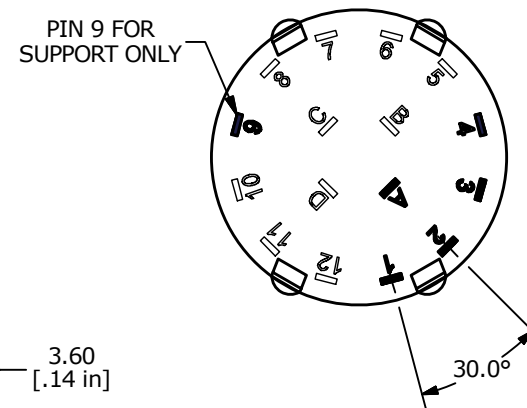
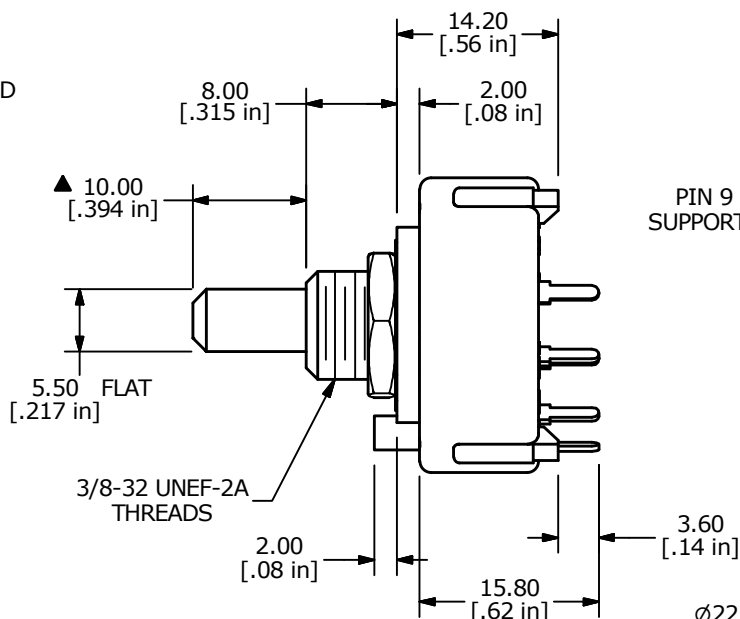
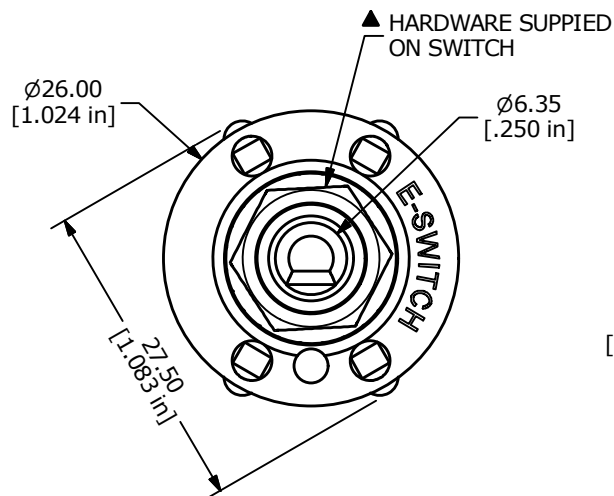
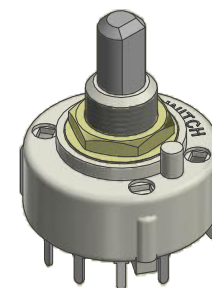


CONTACT CONFIGURATION
TIMING (BBM) NON-SHORTING



- NOTE:
1. ALL DIMENSIONS IN MM[INCH].
 2. GENERAL TOLERANCE: X.X = ± 0.4
X.XX = ± 0.25
 3. TERM. NOS. FOR REFERENCE ONLY.
 - ▲ 4. CONTACT MATERIAL: SILVER
 5. CONTACT RATING: 150MILLIAMPS, 250VAC/DC
350MILLIAMPS, 110VAC/DC
 6. CONTACT RATING (NON-SWITCHING) 5A
 7. OPERATING FORCE 425± 100CM/STANDARD
 8. OPERATING TEMP: -30°C to 85°C
 - ▲ 9. CIRCUIT SP: 4 POSITION 30° INDEX.
 10. DIELECTRIC STRENGTH: 1000V RMS MIN.@ SEA LEVEL.
 - ▲ 11. HARDWARE SUPPLIED ON SWITCH:
LOCKWASHER, HEXNUT, STOP RING
 12. ▲ DENOTES CRITICAL PARAMETER.



B	23497	drawing update, correct PC Mounting	7/27/18	MW
A	15692	RELEASED FOR PRODUCTION	1/20/06	PH
REV	PCR NO	DESCRIPTION	DATE	BY

TITLE KC14A10.001NPS				
SCALE	DATE	DR	DWG	REV
1.5:1	1/20/2006	PH	G530166	B

THE INFORMATION CONTAINED IN THIS DOCUMENT IS PROPRIETARY TO E-SWITCH AND IS NOT TO BE COPIED OR TRANSFERRED