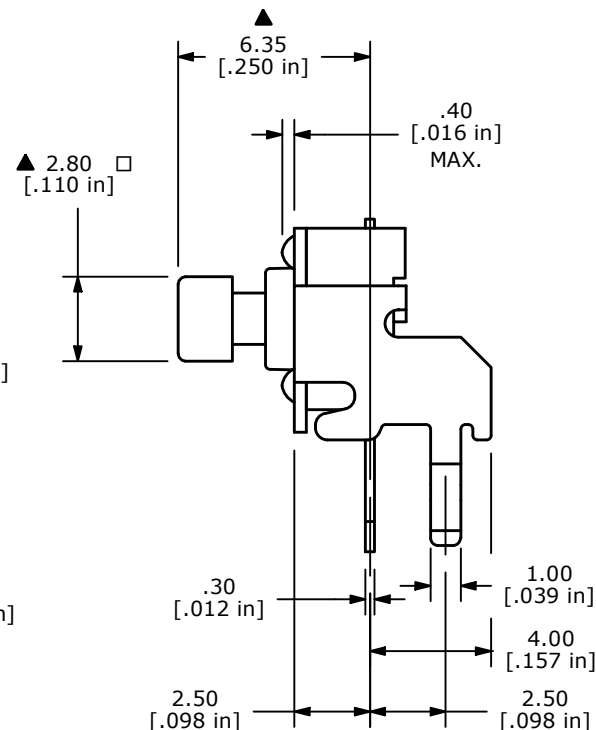
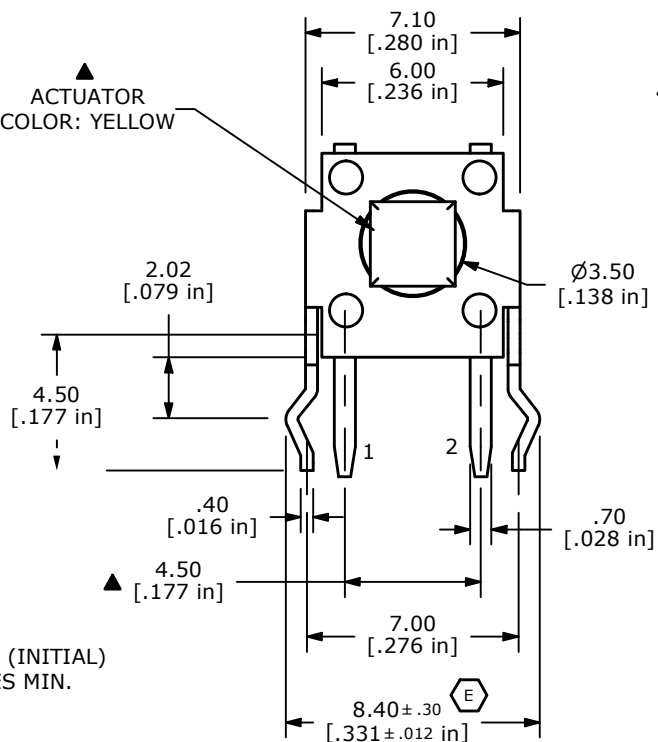


▲ ACTUATOR
COLOR: YELLOW



NOTES:

1. ALL DIMENSIONS IN MM
2. GENERAL TOLERANCE: X.X=±0.4
X.XX=±0.25
3. TERM. NOS. FOR REFERENCE ONLY.
4. RATING: 12VDC, 50mA
- ▲ 5. OPERATING FORCE: 250±50 gf
6. TRAVEL: 0.25 +0.2/-0.1 mm
7. CONTACT RESISTANCE: 100 MILLI OHMS MAX. (INITIAL)
8. MECHANICAL/ELECTRICAL LIFE 100,000 CYCLES MIN.
- ▲ 9. CONTACT MATERIAL: SILVER
10. ▲ DENOTES CRITICAL PARAMETER
11. OPERATING TEMP: -40°C TO 85°C

F	24548	REMOVE STEP IN HOUSING, CHANGE TEMP	10/19/20	JM
E	18742	LEG TOLERANCE WAS +/- 0.1	1/4/2010	BLR
D	16475	CONVERTED FROM AUTO CAD	9/19/2006	TN
REV	PCR NO	DESCRIPTION	DATE	BY



TITLE TL1105JAF250Q				
SCALE	DATE	DR	DWG	REV
4:1	1/4/2010	BLR	P010217	F

THE INFORMATION CONTAINED IN THIS DOCUMENT IS PROPRIETARY TO E-SWITCH AND IS NOT TO BE COPIED OR TRANSFERRED