

NOTES: UNLESS OTHERWISE SPECIFIED.

1. MATERIAL & FINISH:

- 1.1 BODY & BASE: (142-0701-321) GOLD PLATED BRASS  
(142-0701-326 & 142-0701-327) NICKEL PLATED BRASS
- 1.2 INSULATORS: PTFE (TEFLON)
- 1.3 CENTER CONTACT: GOLD PLATED BERYLLIUM COPPER

2. ELECTRICAL SPECIFICATIONS:

- 2.1 IMPEDANCE: 50 OHMS
- 2.2 FREQUENCY RANGE: 0.5-18 GHz
- 2.3 WORKING VOLTAGE: 335 VRMS MAX AT SEA LEVEL
- 2.4 DIELECTRIC WITHSTANDING VOLTAGE: 1000 VRMS MIN AT SEA LEVEL
- 2.5 INSULATION RESISTANCE: 5000 MEGOHM MIN
- 2.6 CONTACT RESISTANCE:
  - 2.6.1 CENTER CONTACT: INITIAL 3.0 MILLIOHM MAX. AFTER ENVIRONMENTAL 4.0 MILLIOHM MAX.
  - 2.6.2 OUTER CONDUCTOR: INITIAL 2.0 MILLIOHM MAX
- 2.7 CORONA LEVEL: 250 MIN VOLTS AT 70,000 FEET
- 2.8 RF HIGH POTENTIAL WITHSTANDING VOLTAGE: 670 VRMS AT 4 & 7 MHz MIN

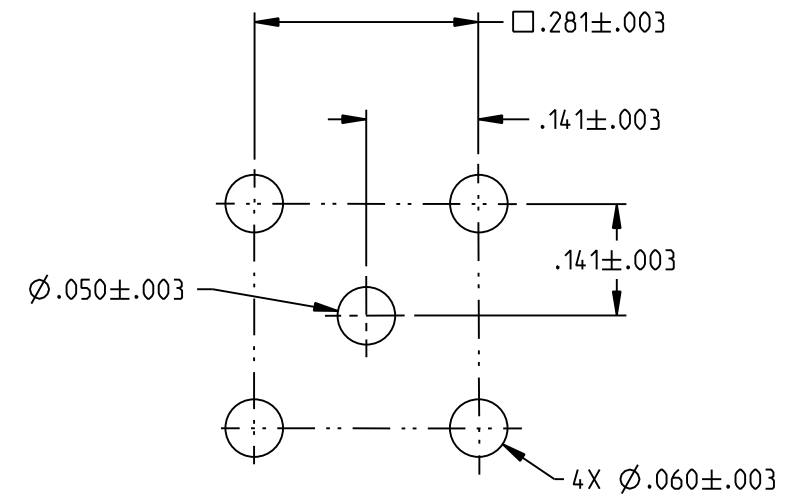
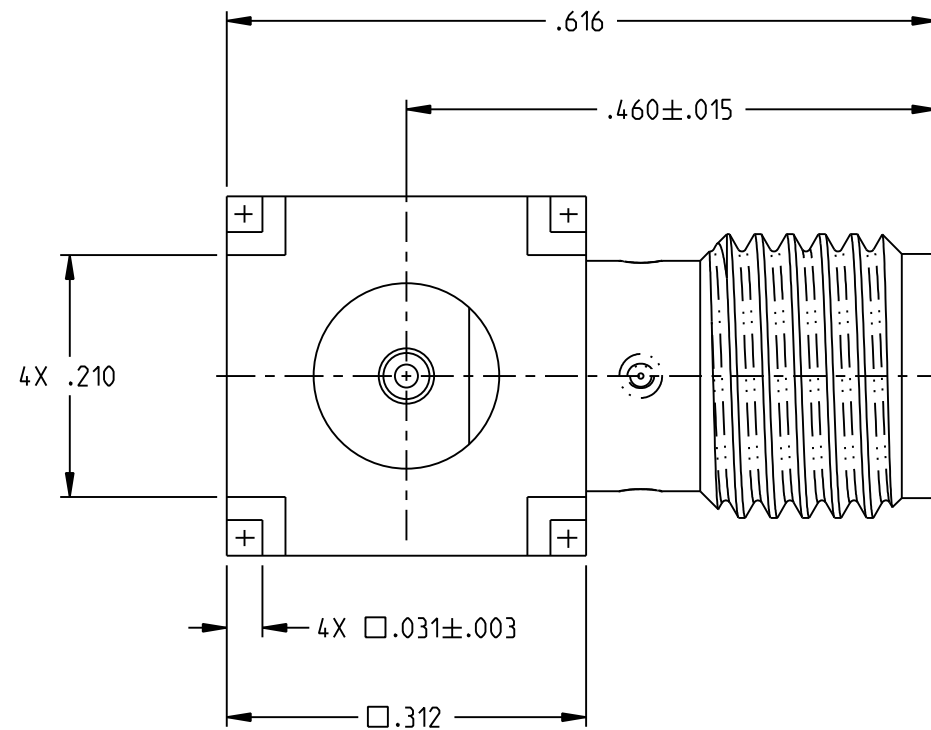
3. MECHANICAL SPECIFICATIONS:

- 3.1 ENGAGE/DISENGAGE TORQUE: 2 INCH-POUNDS MAX
- 3.2 MATING TORQUE: 7-10 INCH POUNDS
- 3.3 COUPLING PROOF TORQUE: 15 INCH POUNDS MIN
- 3.4 CONTACT RETENTION: 6 LBS MIN AXIAL FORCE.
- 3.5 DURABILITY: 500 CYCLES MIN.

4. ENVIRONMENTAL:

(MEETS OR EXCEEDS THE APPLICABLE PARAGRAPH OF MIL-PRF-39012)

- 4.1 THERMAL SHOCK: MIL-STD-202, METHOD 107, CONDITION B
- 4.2 OPERATING TEMPERATURE: -65°C TO 165°C
- 4.3 CORROSION: MIL-STD-202, METHOD 101, CONDITION B
- 4.4 SHOCK: MIL-STD-202, METHOD 213, CONDITION I
- 4.5 VIBRATION: MIL-STD-202, METHOD 204, CONDITION D



MOUNTING HOLE LAYOUT

<p>This PROPRIETARY Document is property of Cinch Connectivity Solutions. It is confidential in nature, non-transferable, and issued with the clear understanding that it is not to be traced or copied without permission and is returnable upon demand.</p> <p>INTERPRET DRAWING IN ACCORDANCE WITH ASME Y14.5-2009.</p>		<b>JOHNSON</b>	
	RoHS2 <input checked="" type="checkbox"/> 2011/65/EU	Title: JACK ASSEMBLY, RA PC MOUNT SMA	Model No. 142-0701-321/330
UNLESS OTHERWISE SPECIFIED UNITS: INCH .XX ±.02 .XXX ±.010 ANGLES ±2°	DO NOT SCALE DRAWING	Date: 9/9/2019	Sheet: 1 OF 1