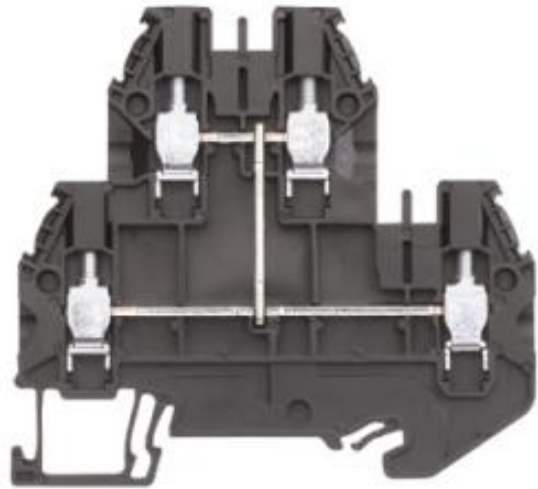


Datasheet

Art.No. 58.504.6955.1

Multi-tier terminal WT 4 E VB

Multi-tier terminal block with screw connection for mounting on TS 35; nominal cross section 4 mm²; width 6 mm; color black



Art.No.	58.504.6955.1
EAN	4049088164453
Order unit	100 pieces

Approvals



Technical data

General

Nominal cross section	4 mm ²
Colour	Black
Number of levels	2
Number of clamp positions per level	2
Width/grid dimension	6 mm
Insulating housing	PA666
Inflammability class of insulation material acc. with UL94	V0
Mounting method	DIN rail (top hat rail)
Terminal blocks for electrical installations	No

Technical data

Rated current	32 A
Rated voltage	800 V
Rated impulse voltage	8 kV
Pollution degree	3
Closing plate required	Yes
Type of insulation material	Thermoplastic
Length	59 mm

Connection Data

Connection type 1	Screw connection
Connection type 2	Screw connection
Minimum cross section solid	0.14 mm ²

Maximum cross section solid	6 mm ²
Minimum cross section fine stranded	0.14 mm ²
Maximum cross section fine stranded	6 mm ²
Maximum conductor cross section (flex., stranded) with cable end sleeve	0.5 mm ²
Maximum conductor cross section (flex., stranded) with cable end sleeve	4 mm ²
Wire strip length	9 mm
Torque conductor mounting	0.5 Nm

Technical Data UL/CSA

Cross section UL	26-10 AWG
Voltage UL	300 V
Current factory wiring	30 A
Current field wiring	30 A
Cross section CSA	26-10 AWG
Voltage CSA	300 V
Current CSA	30 A

Accessories

Art.No.:	Type:	Description
07.313.2855.0	Partition	Partition plate for DIN rail terminal blocks type WT 4 E, D..., TK... and WT 16, color gray
07.313.3355.0	End plate	End plate for DIN rail terminal block type WT 4 E, color gray
98.300.0000.0	Mounting rail 35x27x7,5EN60715 2000MM	Mounting rail TS 35, unslotted, size 7,5 mm, length 2 m, material steel. galv. zinc-plated and dichromated
98.300.1000.0	Mounting rail 35x27x7,5EN60715 2000MM	Mounting rail TS 35, slotted, size 7,5 mm, length 2 m, material steel. galv. zinc-plated and dichromated
98.300.1900.0	Mounting rail 35x27x7,5EN60715 2000MM	Mounting rail TS 35, slotted, size 7,5 mm, length 2 m, material steel. galv. zinc-plated and dichromated
98.360.0000.0	Mounting rail 35x24x15 EN60715 2000MM	Mounting rail TS 35, unslotted, size 15 mm, length 2 m, material steel. galv. zinc-plated and dichromated
98.360.0004.0	Mounting rail 35x24x15 EN60715 2000MM	Mounting rail TS 35, unslotted, size 15 mm, length 2 m, material steel, hot galvanized
98.370.0000.0	Mounting rail 35x27x15(EN60715)2000MM	Mounting rail TS 35, unslotted, size 15 mm, length 2 m, material steel. galv. zinc-plated and dichromated
98.370.1000.0	Mounting rail 35x27x15(EN60715)2000MM	Mounting rail TS 35, slotted, size 15 mm, length 2 m, material steel. galv. zinc-plated and dichromated
98.380.0000.0	Mounting rail 35x24x15 EN60715 2000MM	Mounting rail TS 35, unslotted, size 15 mm, length 2 m, material E copper
Z1.299.9753.0	Test plug PS WKC/F OB	Test plug for DIN rail terminal blocks fasis - selos - taris
Z5.522.7453.0	End bracket 9708 / S35	End clamp for mounting rail TS 35
Z5.522.8553.0	End bracket 9708 / 2 S 35	End clamp for mounting rail TS 35
Z5.523.5653.0	End bracket WE 2 / U	End clamp for mounting rail TS 35 and TS 32
Z5.523.5753.0	End bracket WE 1 / U	End clamp for mounting rail TS 35 and TS 32
Z5.523.9353.0	End bracket WEF 1 / 35	End clamp, schraubenlos for mounting rail TS 35
Z7.261.1227.0	Jumper bar IVBWK 4- 2	Cross connector, insulated for DIN rail terminal blocks type WKF..., 2 -pole
Z7.261.1327.0	Jumper bar IVBWK 4 - 3	Cross connector, insulated for DIN rail terminal blocks type WKF..., 3 -pole
Z7.261.1427.0	Jumper bar IVBWK 4 - 4	Cross connector, insulated for DIN rail terminal blocks type WKF..., 4 -pole
Z7.261.1527.0	Jumper bar IVBWK 4 - 5	Cross connector, insulated for DIN rail terminal blocks type WKF..., 5 -pole
Z7.261.1627.0	Jumper bar IVBWK 4 - 6	Cross connector, insulated for DIN rail terminal blocks type WKF..., 6 -pole

Z7.261.1727.0	Jumper bar IVBWK 4 - 7	Cross connector, insulated for DIN rail terminal blocks type WKF..., 7 -pole
Z7.261.1827.0	Jumper bar IVBWK 4 - 8	Cross connector, insulated for DIN rail terminal blocks type WKF..., 8 -pole
Z7.261.1927.0	Jumper bar IVBWK 4 - 9	Cross connector, insulated for DIN rail terminal blocks type WKF..., 9 -pole
Z7.261.2027.0	Jumper bar IVBWK 4- 10	Cross connector, insulated for DIN rail terminal blocks type WKF..., 10 -pole

