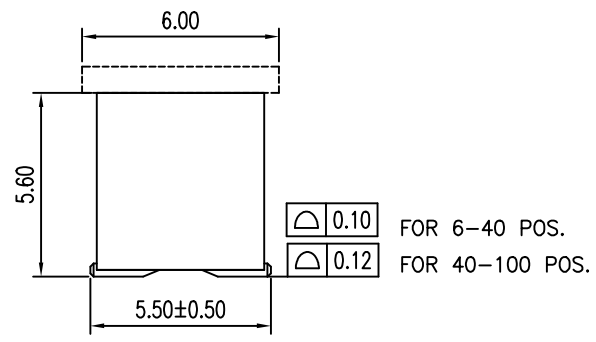


TABLE 1 ,DIM INFORMATION

DASH No.	Dim.	Amount of Pins	Dim.A	Dim.B
-00X 06 XX LF	06	06	2.54	10.11
-00X 08 XX LF	08	08	3.81	11.38
-00X 10 XX LF	10	10	5.08	12.65
-00X 12 XX LF	12	12	6.35	13.92
-00X 14 XX LF	14	14	7.62	15.19
-00X 16 XX LF	16	16	8.89	16.46
-00X 20 XX LF	20	20	11.43	19.00
-00X 22 XX LF	22	22	12.70	20.27
-00X 26 XX LF	26	26	15.24	22.81

DASH No.	Dim.	Amount of Pins	Dim.A	Dim.B
-00X 30 XX LF	30	30	17.78	25.35
-00X 34 XX LF	34	34	20.32	27.89
-00X 40 XX LF	40	40	24.13	31.70
-00X 44 XX LF	44	44	26.67	34.24
-00X 50 XX LF	50	50	30.48	38.05
-00X 60 XX LF	60	60	36.83	44.40
-00X 64 XX LF	64	64	39.37	46.94
-00X 68 XX LF	68	68	41.91	49.48
-00X 80 XX LF	80	80	49.53	57.10
-00X A0 XX LF	100	100	62.23	69.90

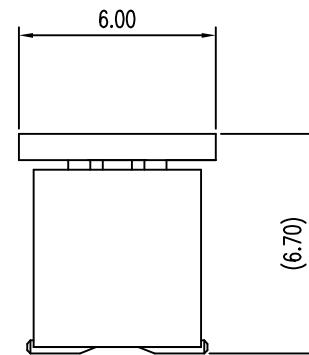
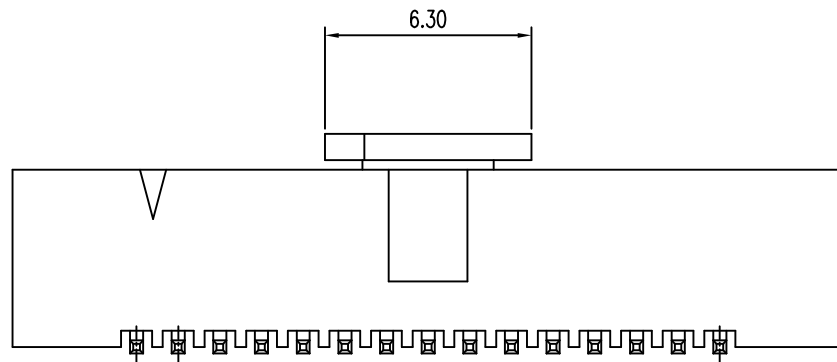
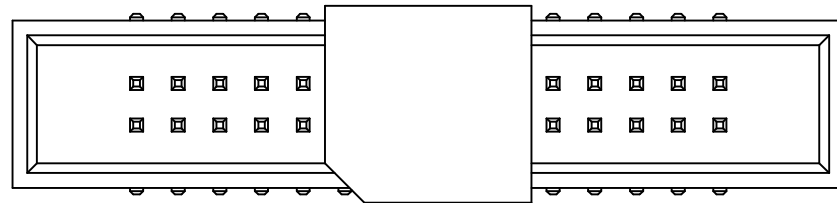


DIM. A	2-60 PINS	± 0.20
	62-100 PINS	± 0.30

mat'l. code		surface ISO 1302 ✓		tolerance ISO 406 ISO 1101		projection		product family	
						mm		MINITEK	
ltr		ecn no		dr		date		title	
H		ELX-N-01195		ZK		2012-06-15		1.27X1.27MM BTB HEADER SHROUDED SMT	
J		ELX-N-14099		TIM		2013-02-25			
K		ELX-N-17601		TIM		2014-04-30			
L		ELX-N-19182		TIM		2014-10-24			
M		ELX-N-26314		TONY		2017-10-31			
N		ELX-N-28945		TONY		2018-03-13			
P		ELX-N-55964		MZ		2025-06-03			
sheet		revision		P		P		dwg no	
index		sheet		1		2		sheet 1 of 2	
								20021521	
								A3	
								type Product Customer Drawing	

Amphenol FCI

© 2016 AFCI



CONFIG 1: 20021521-001XXXXLF  
WITH EDGE CUT CAP, OTHER DIMENSIONS SEE SHEET 1

NOTE:

1. MATERIAL:  
HOUSING: HIGH TEMP PLASTIC, UL94-V0, BLACK  
TERMINAL: COPPER ALLOY, SQ=0.40±0.03MM
2. FINISH:  
TERMINAL: SEE PN STRUCTURE.
3. SPEC.:  
PRODUCT SPEC: GS-12-629  
PACKING SPEC: GS-14-1420
4. THE HSG. WILL WITHSTAND EXPOSURE TO 260C PEAK TEMP. FOR 10 SEC. IN A CONVECTION, INFRA-RED OR VAPOR PHASE REFLOW OVEN.
5. PRODUCT NUMBERING:  
20021521 - 0 0 X XX X X LF

- LEAD FREE
- PLATING:  
1:GOLD FLASH, ALL OVER  
4:0.25um(10U")GOLD AT CONTACT  
8:0.76um(30U")GOLD AT CONTACT  
9:1u" GOLD OVER 30u" PdNi AT CONTACT
- PACKING  
T: TUBE  
D: TUBE+CAP  
C: TAPE&REEL+CAP(P:12mm)  
E: TAPE&REEL+CAP(P:16mm)  
Q: TAPE&REEL W/O CAP(P:12mm)
- PIN COUNT  
SEE TABLE 1
- CONFIG  
0: WITH C ANGLE CAP  
1: WITH C ANGLE CAP

mat'l. code		surface ISO 1302 ✓		tolerance ISO 406 ISO 1101		projection 1101		product family MINITEK		
ltr	ecn no	dr	date	tolerances unless otherwise specified		mm		title 1.27X1.27MM BTB HEADER SHROUDED SMT		
				angles	.0±.38	mm		dwg no		
				linear	.00±.25	mm		sheet 2 of 2		
				0°±2'	.000±.10	scale 5:1		size A3		
		dr	STERLING LIN	2009-09-15			Amphenol FCI		20021521	
		eng	STERLING LIN	2009-09-15					A3	
		chr	GRAY HSIEH	2009-09-15					Product Customer Drawing	
		appd	JOSEPH	2009-09-15						
sheet index	revision sheet	P	P							
		1	2							