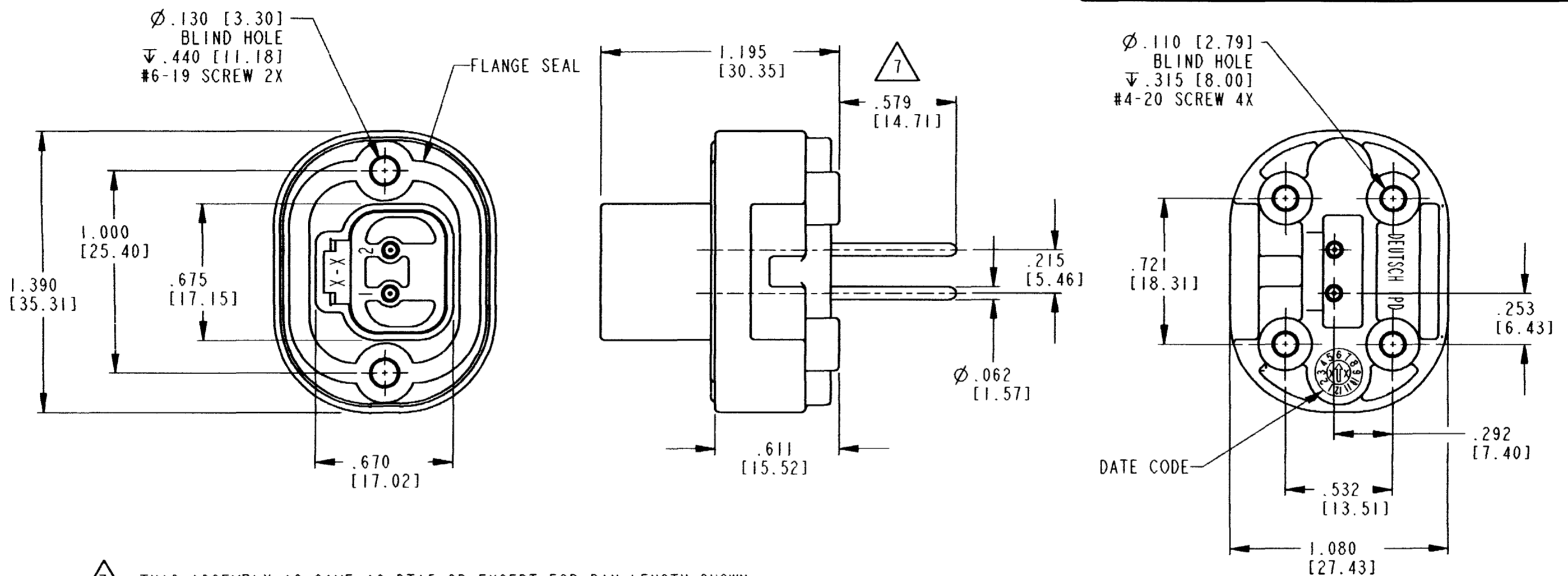


REV  
B DT15-2P-A009

REVISIONS			
SYM	DESCRIPTION	DATE	APPROVED
NC	NEW RELEASE PER E.O. P16541	2/15/00	WOODRUFF
A	REDESIGN PER E.O. P18437	6/14/04	RDR
B	REVISION PER E.O. P19401	11-20-06	RDR



7. THIS ASSEMBLY IS SAME AS DT15-2P EXCEPT FOR PIN LENGTH SHOWN.

- 6. MOUNTING SCREW TORQUE VALUES ARE AS FOLLOWS:  
 #6-19 SCREWS:  $13 \pm 2.0$  IN-LB [ $1.47 \pm .23$  N-M].  
 #4-20 SCREWS:  $8 \pm 2.0$  IN-LB [ $.90 \pm .23$  N-M].  
 VALUES VALID FOR PLASTITE 48 SCREWS ONLY.
- 5. RECOMMENDED MOUNTING SCREWS (NOT INCLUDED): CAMCAR PLASTITE 48.
- 4. THIS RECEPTACLE MATES WITH DT06-2S-\*\*\*\* PLUG (\*\*\*\* = ALL MODIFICATIONS.)
- 3. SHELL MATERIAL: PLASTIC; FLANGE SEAL MATERIAL: RUBBER.
- 2. DIMENSION TOLERANCE:  $\pm .025$  [.64], PANEL CUTOUT  $\pm .010$  [.25].

NOTES: 1. DIMENSIONS ARE IN INCHES [mm].

SIGNATURE & DATE	
DR	J. APOSTOL 9FEB2000
CHK	<i>[Signature]</i> 11/16/06
PE	<i>[Signature]</i> 11/10/06
APPD	<i>[Signature]</i> 11/14/06
SCALE	NONE WT

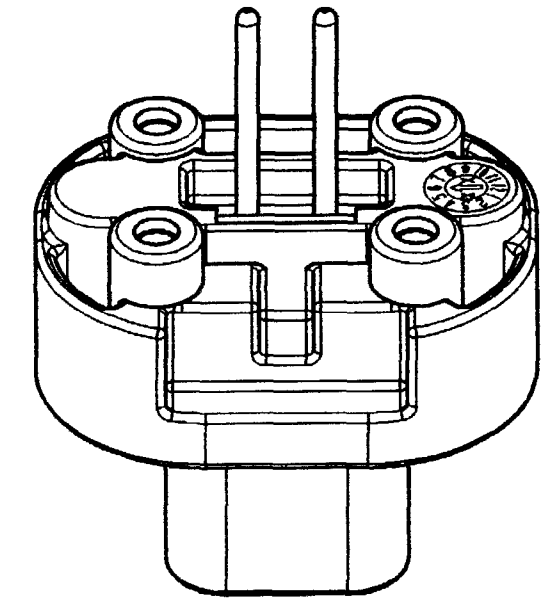
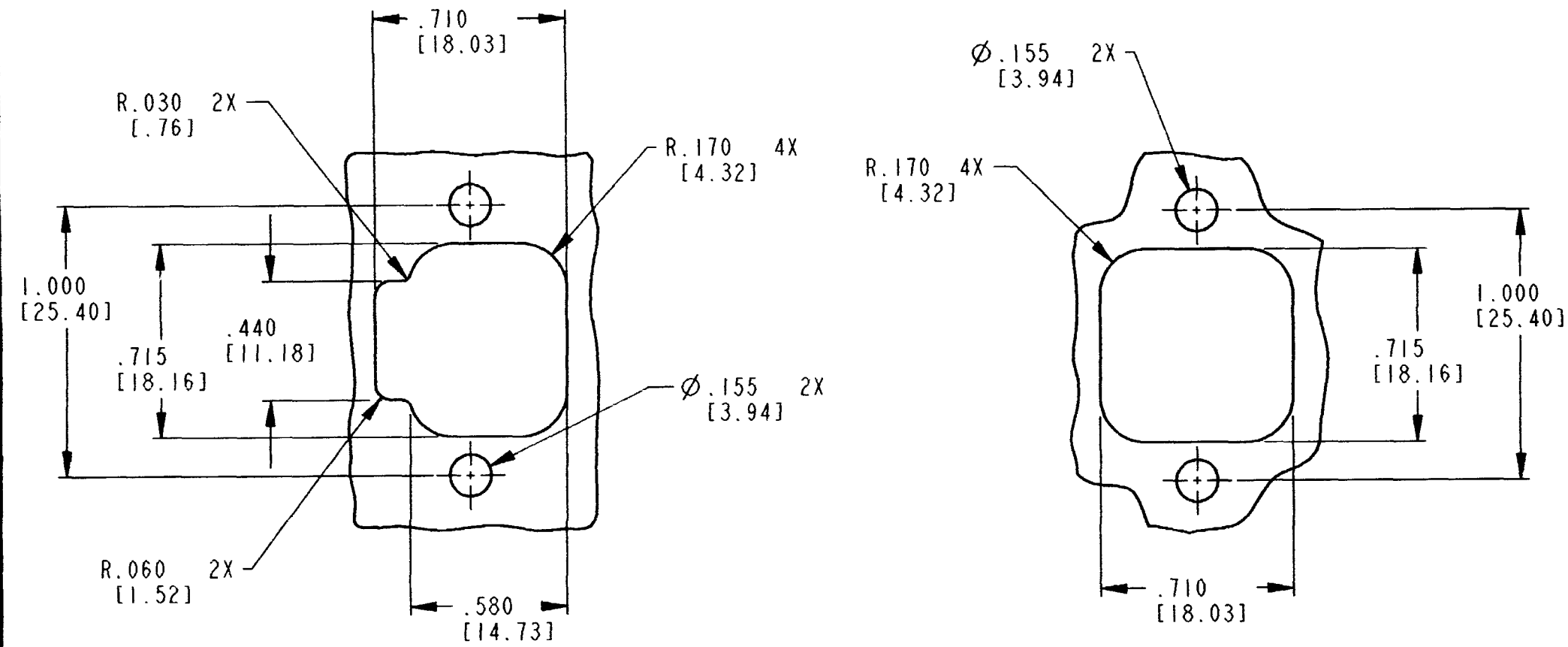
RECEPTACLE FOR  
PC BOARD  
2 PIN STRAIGHT TAILS  
DT SERIES

ENVELOPE

EP	MATL CODE
<b>The Deutch Company</b> DEUTSCH I.P.D. 3850 INDUSTRIAL AVE. HEMET, CALIF. 92545	
<b>B</b>	<b>DT15-2P-A009</b>
DWG SIZE	CODE 11139 SHEET 1 OF 2

REV  
B DT15-2P-A009

REVISIONS			
SYM	DESCRIPTION	DATE	APPROVED
B	SEE SHEET ONE	11-20-06	ADR



3D VIEW

RECOMMENDED PANEL CUTOUT  
DIMENSIONS FOR REFERENCE ONLY

NOTES:

SIGNATURE & DATE	
DR	J. APOSTOL 9FEB2000
CHK	<i>[Signature]</i> 11/16/06
PE	<i>[Signature]</i> 11/16/06
APPD	<i>[Signature]</i> 11-14-06
SCALE	NONE WT

RECEPTACLE FOR  
PC BOARD  
2 PIN STRAIGHT TAILS  
DT SERIES

ENVELOPE

EP	MATL. CODE
<b>The Deutch Company</b> DEUTSCH I.P.D. 3850 INDUSTRIAL AVE. HEMET, CALIF. 92545	
<b>B DT15-2P-A009</b>	
DWG SIZE	CODE 11139 SHEET 2 OF 2