

Sectional Terminal Blocks

General Information:

Sectionals are terminal blocks which are made up of individually molded units with electrically conductive members which, when assembled together, make up the block producing the required number of circuits. Marathon's DIN Sectional Blocks will fit on a standard 35mm DIN rail.

Marathon offers three sizes of sectional terminal blocks: 3/8" centers, 7/16" centers, 1/2" centers and 11/16" sectional fuse holders. All blocks can be ordered with a channel mount base, or a flat mount base for direct mounting to the panel. The 3/8" is also available with a DIN foot; alternatively, the 7/16" is only available with a DIN foot.

Ratings and Standards:

The voltage ratings of terminal blocks are based upon the minimum spacing between electrically conductive parts line to line through air and over surface and line to ground through air and over surface.

Class A

Service equipment including deadfront switchboards, panel boards, service entrance devices.

Class B

Commercial appliances including business equipment, electronic data processing equipment and the like.

Class C

General industrial and machine tool controls which can be further defined as equipment falling under UL 508.

Spacing Requirements (in inches):

	Voltage	Thru Air	Over Surface
Class A	51-150	.500	.750
	151-300	.750	1.250
	301-600	1.000	2.000
Class B	51-150	.063	.063
	151-300	.094	.094
	301-600	.375	.500
Class C	51-150	.125	.250
	151-300	.250	.375
	301-600	.375	.500

Applications:

Designed for electrical termination of wire where flexibility of circuit design is necessary. Accepts single or multiple wire sizes for tubular screw and tubular clamp styles.

Sectional Terminal Blocks

3/8" Sectional Channel (C), Flat (F), & DIN Mount

600 Volts AC/DC
32 Circuits per Foot



6G38 TS F

Specifications:

- Meets IP20 Touchproof Requirement
- UL Recognized File No. XCFR2.E62806
- CSA Certified File No. LR19766
- **CE**
- RoHS Compliant

Tubular Screw Connector (6G38 TS)

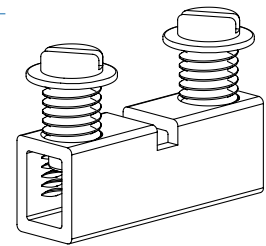
Materials:

- Base - Gray Thermoplastic, 125°C (UL RTI)
- Tubular Screw Connector- Copper, Tin Plated
- Screw - #10-32 Steel, Nickel Plated
- Wire Termination Torque 16 in-lb

Wire Ranges:

- 50 Amps (40 Amps CSA)
- Single and Multiple Wire Combinations:

<u>Stranded CU</u>	<u>Solid CU</u>
(1) #8 - #18 AWG	(1) #10 - #16 AWG
(1-3) #12 AWG	(1-3) #12 AWG
(1-4) #14 AWG	(1-4) #14 or #16 AWG



Ordering Code:

6G38 TS F	Flat mount block	Std pk 100	See Figure 2 On Page 118
6G38 TS C	Channel mount block	Std pk 100	See Figure 1 On Page 118
6G38 TS DIN	DIN mount block	Std pk 25	See Figure 3 On Page 118

Kant Kut Connector (6G38 TSKK)

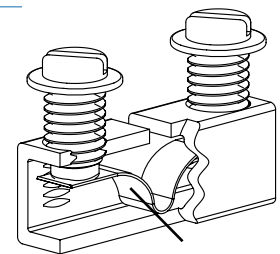
Materials:

- Base - Gray Thermoplastic, 125°C (UL RTI)
- Kant Kut Connector- Copper, Tin Plated
- Screw - #10-32, Nickel Plated, Pad - Steel
- Wire Termination Torque 16 in-lb

Wire Ranges:

- 40 Amps
- Single and Multiple Wire Combinations:

<u>Stranded CU</u>	<u>Solid CU</u>
(1) #10-#22 AWG	(1) #10 - #14 AWG
(1-2) #12 AWG	(1-2) #12 or #14 AWG
(1-3) #14 AWG	
(1-4) #16 AWG	
(1-5) #18 or #22 AWG	



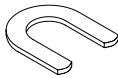
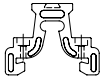
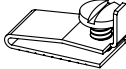

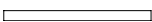


WIRE PROTECTOR

Ordering Code:

6G38 TSKK F	Flat mount block	Std pk 100	See Figure 2 On Page 118
6G38 TSKK C	Channel mount block	Std pk 100	See Figure 1 On Page 118
6G38 TSKK DIN	DIN mount block	Std pk 25	See Figure 3 On Page 118

Sectional Terminal Blocks

Sectional Terminal Block Accessories

Catalog #	Description		Std Pk	Catalog #	Description		Std Pk
J 38	Jumper for TS and TSKK		50	MSK35	End bracket for DIN mount base		25
MC	Mounting Clamp (For channel style only)		25	6G38 E C 6G38 E F 6G38 E DIN	End bracket for 6G38 versions		25
MS 2	Vinyl Marking Strip (1/2" x 2' white)		25	MPC-3 (3 ft channel) MPC-6 (6 ft channel)	Channel		1
MN35-2	DIN Rail, 35 x 7.5 mm 2 m long, slotted		25				

Sectional Terminal Block Dimensions - 6G38 TS & TSKK

FIGURE 1:
Channel Mount

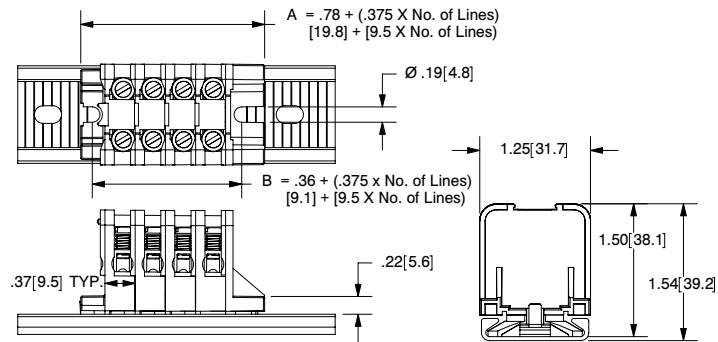


FIGURE 2:
Flat Mount

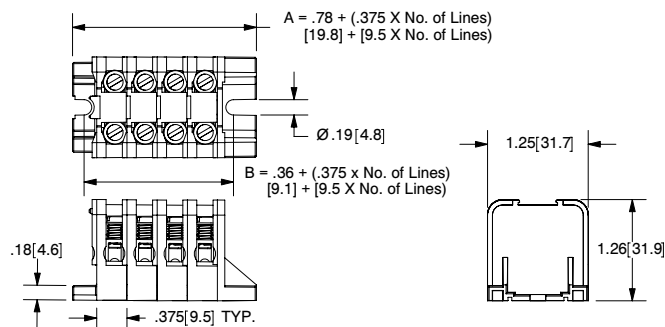
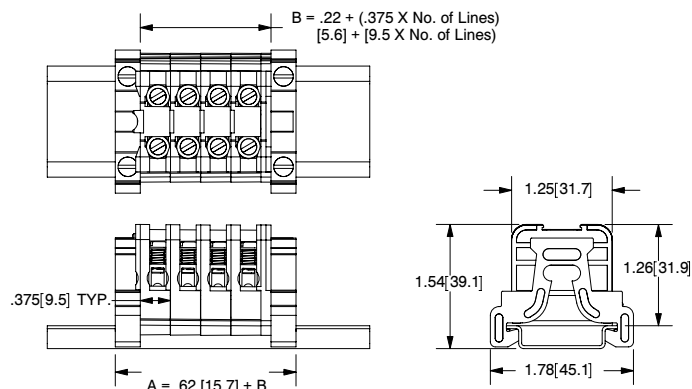


FIGURE 3:
DIN Mount




For electronic drawings or 2D/3D CAD data, submit request at www.marathonsp.com/drawings.html

Sectional Terminal Blocks

7/16" Sectional Terminal Block

600 Volts AC/DC, 40 Amp
27 Circuits per Foot

Specifications:

- UL Recognized File No. XCFR2.E62806, XCFR8.E62806
- CSA Certified File No. LR19766
- 
- RoHS Compliant



6G44 SP DIN

6G44 SP DIN - Sems Pressure Connector, DIN Mounted

Materials:

- Base - Gray Thermoplastic, 125°C (UL RTI)
- Connector - Brass, Tin Plated
- Screw - #6 with pad, Steel, Nickel Plated

Wire Ranges:

- CU Only, Str/Sol
- Base Wire:

(1) #12-#22 AWG
(1-2) #22-12 AWG



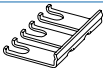
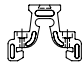

Classes B, C, G, H, I, K

Wire Termination Torque 10 lb-in

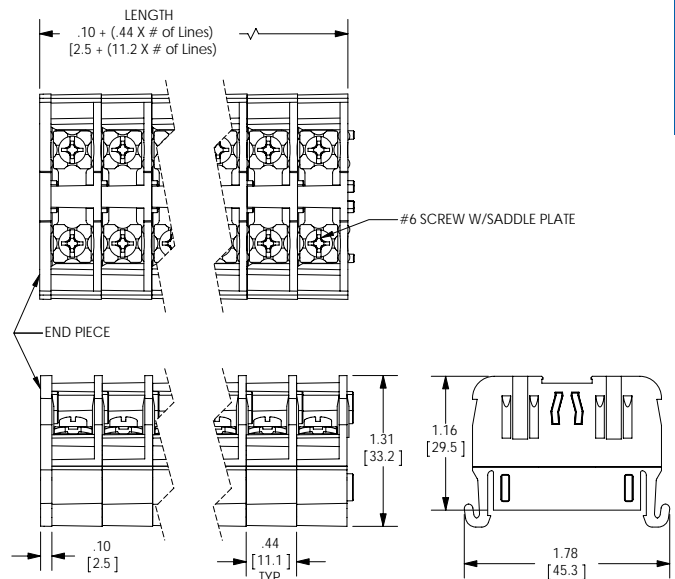
Prepared Wire (Lug or Spade):

(1) #10-#16 AWG
(1-2) #10-16 AWG

Sectional Terminal Block Accessories

Catalog #	Description		Std Pk
6G44 E DIN	End Sections		25
MS 44	7/16 marker strip (4' long, white)		6
601 RJS XX	Jumper (various lengths)		N/A
MSK35	End Bracket for DIN Rail		25
MN35-2	DIN Rail 35 x 7.5 mm 2m long, slotted		N/A

For electronic drawings or 2D/3D CAD data, submit request at www.marathonsp.com/drawings.html



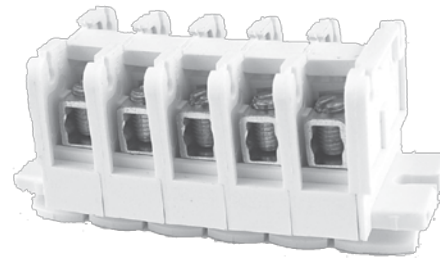
Sectional Terminal Blocks

1/2" Sectional

600 Volts AC/DC
24 Circuits per Foot

Specifications:

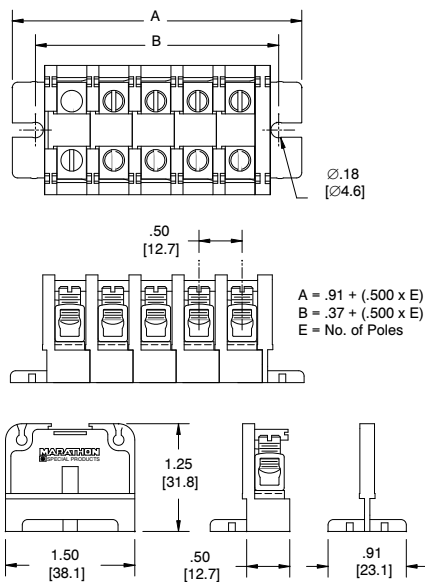
- Base, White Nylon - Type 6/6 105°C
- Tubular Screw (TSCU) Copper, Tin Plated; Screw #1/4-28 Steel, Nickel Plated
- Wire Range #4-#16 AWG Copper, 70 Amps
- Torque 20 lb-in
- UL Recognized File No. XCFR2.E62806
- CSA Certified File No. LR19766
- CE
- RoHS Compliant



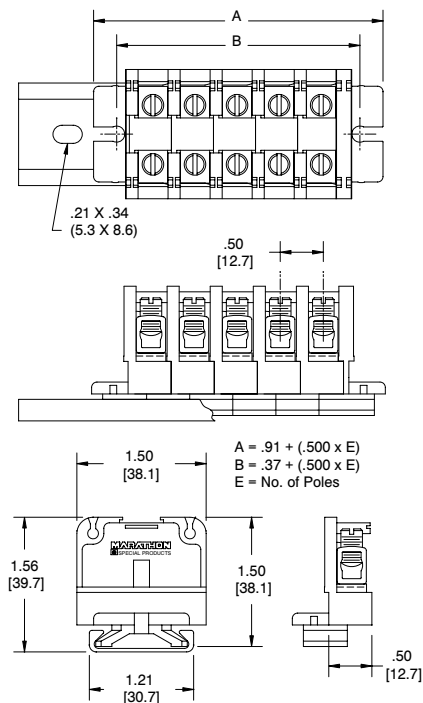
6H12 TSCU C

Catalog #	Description		Std Pk	Catalog #	Description		Std Pk
6H12 TSCU F For flat mount block	Tubular Screw		50	J 12	Jumper		50
6H12 TSCU C For channel mount block	Tubular Screw		50	MC	Mounting Clamp		25
6H12 E F For flat mount block	End Section		25	MPC-3 (3 ft channel) MPC-6 (6 ft channel)	Channel		--
6H12 E C For channel mount block	End Section		25	MS 2	Vinyl Marking Strip - 1/2" x 2'		25

Flat Mount:



Channel Mount:



For electronic drawings or 2D/3D CAD data, submit request at www.marathonsp.com/drawings.html

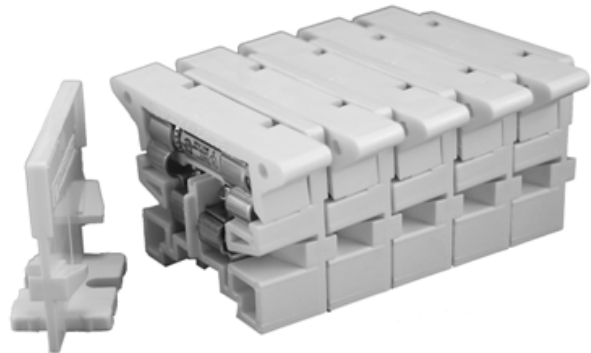
Sectional Terminal Blocks

1 1/16" Sectional Fuse Holder

600 Volt, 30 Amp (Midget Fuse Holder)

Specifications:

- Tested and Approved for 10,000 Amp Withstand Rating
- Base, White Nylon - Type 6/6 105°C
- Connector Box Type
- Accepts up to #10 AWG Wire, either Terminated or Non-Terminated
- Clip, Copper Alloy, Tin Plated
- UL Recognized File No. IZLT2.E35113
- CSA Certified File No. LR21455
- CE
- RoHS Compliant



6W30A1F with end piece (fuse not included)

Standard	Description	Std Pack	Wire Range	Fuse Size	Fuses
6W30A1F	Flat Mount	10	#10-#14 AWG CU STRANDED	13/32" DIA BY 1 1/2" LONG	A13X-2, A25Z-2, A60Q-2, A6Y-2B, AGU, ATM, ATQ, BAF, BAN, BLF, BLN, BLS, FLA, FLM, FLQ, FNM, FNQ, GFN, GGO, KLK, KLKD, KLQ, KTK, OTM, TRM
6W30A1C	Channel Mount				
6WEF	End Piece (flat)				
6WEC	End Piece (channel)				
MC	Mounting Clamp	25			
MPC-6	6 Foot Channel	-			
MPC-3	3 Foot Channel				
GR-2	1/8" Diameter X 2' Long Nylon Rod				

For electronic drawings or 2D/3D CAD data, submit request at www.marathonsp.com/drawings.html

