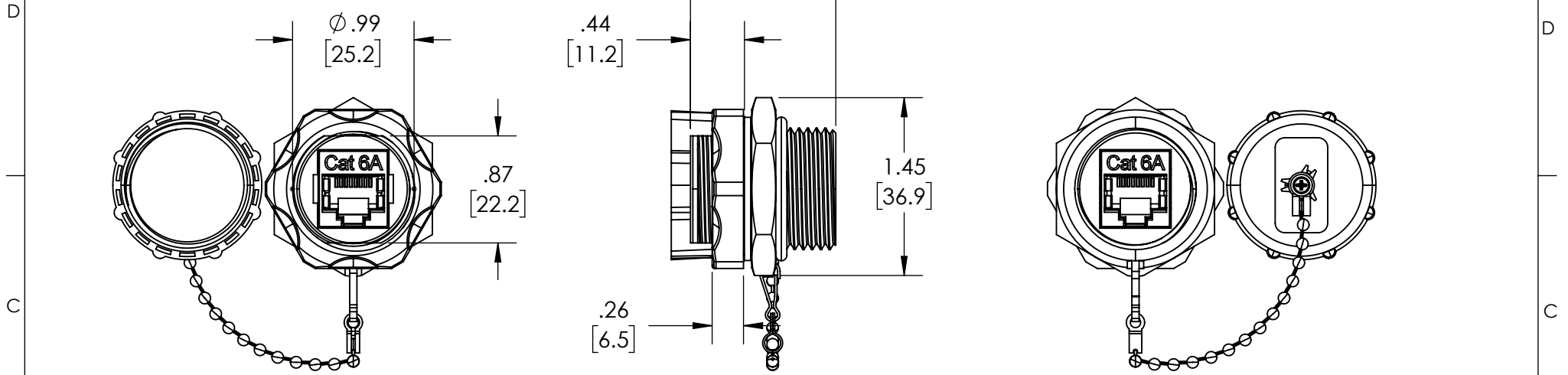


THE INFORMATION CONTAINED IN THIS DRAWING IS THE SOLE PROPERTY OF L-COM, INC. ANY REPRODUCTION IN PART OR WHOLE WITHOUT THE WRITTEN PERMISSION OF L-COM, INC. IS PROHIBITED.

| REVISIONS | | | |
|-----------|-----------------|----------|------------|
| REV | DESCRIPTION | DATE | APPROVED |
| A | INITIAL RELEASE | 06/13/22 | GUTTADAURO |
| | | | |
| | | | |



MATERIAL

MAIN BODY : PBT+GF,UL94V-0.
 SHIELDED CASE : BRASS,NICKEL PLATED.
 COUPLER HOUSING : ABS,UL94V-0.
 JACK CONTACTS : PHOSPHOR BRONZE,50U" GOLD PLATED.

SPECIFICATION:

IP68
 ACCORDING TO IEC 60529
 DEGREES OF PROTECTION PROVIDED BY ENCLOSURES
 DUST-TIGHT
 PROTECTED FROM IMMERSION IN WATER FOR 60 MINUTES
 AT A DEPTH OF 1.5 METER.

PHYSICAL CHARACTERISTICS

INSERTION LIFE : 750 MATING CYCLES WITH FCC COMPLIANT 8P PLUG.
 PLUG RETENTION FORCE : 11 LBF MIN.
 OPERATING TEMPERATURE RANGE : -10 C TO 60 C.
 STORAGE TEMPERATURE RANGE : -40 C TO 68 C.
 HUMIDITY : 10% TO 90% RH (NON-CONDENSING).

ELECTRICAL

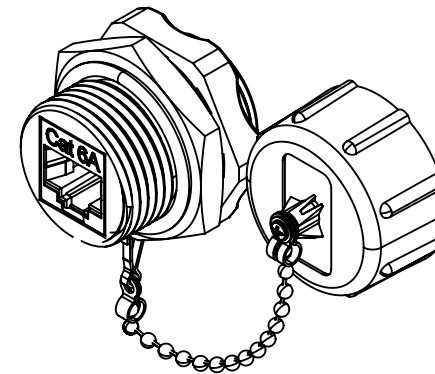
INSULATION RESISTANCE : 500 MΩ MINIMUM.
 DC CURRENT RATING : 1.5 Amps.
 INPUT TO OUTPUT D.C. RESISTANCE : 200 mΩ MAXIMUM.
 CONTACT RESISTANCE : 20 mΩ MAXIMUM.
 VOLTAGE PROOF (CONTACT TO CONTACT) : 1000 V D.C. OR A.C. PEAK.


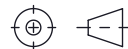
NOTE

* ONLY ACCEPT RJ-45 8P8C PLUG

REGULATORY COMPLIANCE:

EU RoHS DIRECTIVE (MOST RECENT RELEASED VERSION)



| | | | |
|--|--|--|--|
| UNLESS OTHERWISE SPECIFIED, DIMENSIONS ARE IN INCHES [mm] OVERALL CABLE LENGTH TOLERANCE: ≤12 [305] = +1 [25] / -0 >12 [305] ≤60 [1524] = +2 [51] / -0 >60 [1524] ≤120 [3048] = +4 [102] / -0 >120 [3048] ≤300 [7620] = +6 [152] / -0 >300 [7620] = +5% / -0 ALL OTHER DIMENSIONAL TOLERANCES: .X = ± .2 [5] FRACTIONS ± 1/32 .XX = ± .02 [5] ANGLES ± 1° .XXX = ± .005 [13] | APPROVALS | DATE |  an INFINITO® brand 50 High Street, West Mill, North Andover, MA 01845 USA. Phone: 1.800.341.5266 1.978.682.6936 |
| | DRAWN BY VTHANGARAJ CHECKED BY DFRISIELLO APPROVED BY GUTTADAURO | 06/13/22 06/13/22 06/13/22 | |
| THIRD-ANGLE PROJECTION  | CONFIGURATION DETAILS OF UNDIMENSIONED FEATURES MAY VARY COLOR VARIATIONS MAY OCCUR | PRODUCT DESCRIPTION Category 6a IP68 Waterproof Bulkhead Coupler, RJ45 to RJ45, Black, with Dust Cap | SIZE A |
| CAGE CODE 43321 | | ITEM NO. WBRJC6A-FF | REV. A |
| SCALE: NONE | | CAD FILE: WBRJC6A-FF.SLDDRW | |
| | | | SHEET 1 OF 1 |