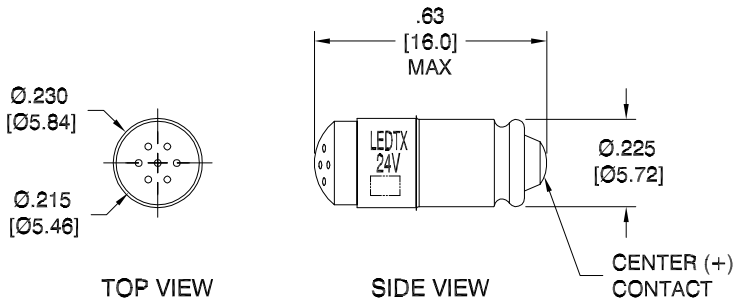


LTR	REVISION	DATE	APPD
-	RELEASED	01-28-20	



ACTUAL SIZE



NOTES:

1. ALL DIMENSIONS ARE IN INCHES [MILLIMETERS].
2. SLEEVE MATERIAL: RYNITE FR530
3. BASE MATERIAL: BRASS WITH NICKEL PLATED
4. OPERATING TEMPERATURE: ~-30°C to ~+50°C

REVISION NOTIFICATION	
<input type="checkbox"/> DLC	
<input type="checkbox"/> UL/ETL	
<input type="checkbox"/> MADE IN USA	
<input type="checkbox"/> CUSTOMER _____	
<input type="checkbox"/> OTHER	
REDLINE CHECKLIST	
<input type="checkbox"/> REDLINE(YES)	
<input type="checkbox"/> DATE: _____	
<input type="checkbox"/> INITIATED BY: _____	
<input type="checkbox"/> ECR REQUIRED YES <input type="checkbox"/> NO <input type="checkbox"/>	
<input type="checkbox"/> WORK ORDER# _____	

ELECTRICAL-OPTICAL CHARACTERISTICS (Ta = 25°C)

G206CG6-0007	G206CG6-24V/20-P	HI-EFF GREEN	24Vdc	0.015 A	565nm	160°
G206CR6-0005	G206CR6-24V/20-P	HI-EFF RED	24Vdc	0.015 A	633nm	160°
G206CW6-0008	G206CW6-24V/20-P	PALE YELLOW-WHITE	24Vdc	0.015 A	631/566nm	160°
LEDTRONICS PART NO.	DESCRIPTION PART NO.	COLOR EMITTED	INPUT VOLTAGE, V	CURRENT (A)	λP nm	VIEWING ANGLE (FULL BEAM WIDTH @ 50% INTENSITY)

 LEDTRONICS,™ INC. 23105 KASHIWA COURT TORRANCE, CA 90505	-PROPRIETARY- This document contains Proprietary information of LEDTRONICS,™ INC. It may not be copied, used or disclosed for any purpose without the prior express written consent of LEDTRONICS,™ INC.		TITLE G206CX6-000X (G206CX6-24V/20-P)			
	DWG NO	SCALE	SHEET	DATE		
	G206-24V-P-1	2:1	1 OF 1	01-28-20		
CODE IDENT NO.	DWG BY GP	CHK BY	QA SB	MFG LD	R&D UF	
8Z410	01-28-20		01-28-20	01-28-20	01-28-20	