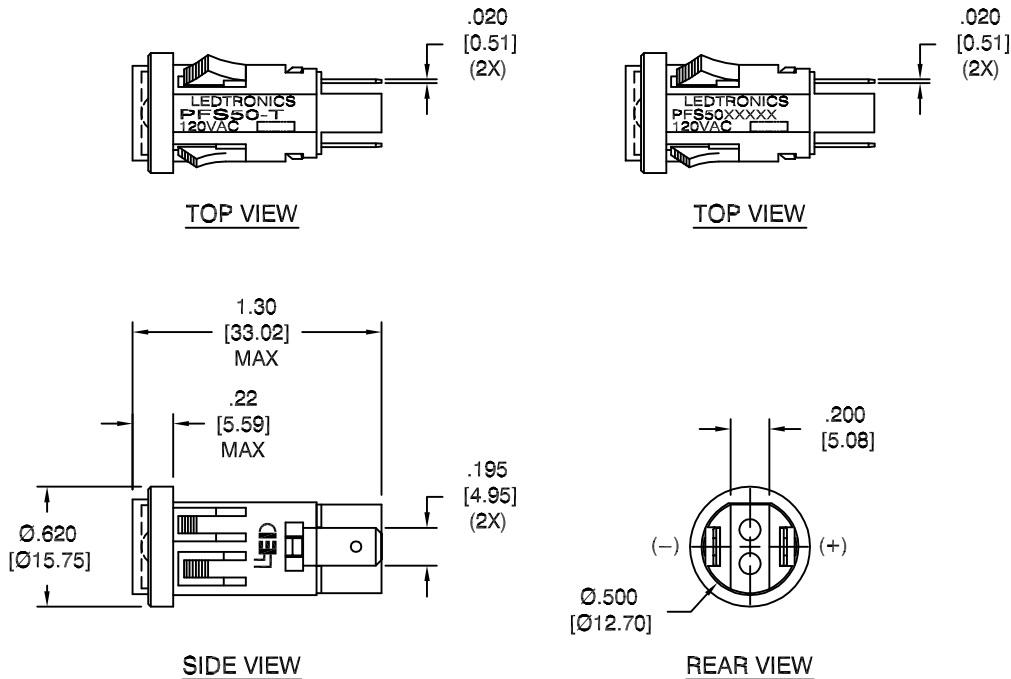


LTR	REVISION	DATE	APPD
B	092222-HF01: ADDED ALTERNATE MARKING	09-27-22	HF

**ALTERNATE MARKING**  
(#5, #6 & #7)



**NOTES:**

1. ALL DIMENSIONS ARE IN INCHES [MILLIMETERS].
2. MOUNTING DIAMETER: Ø1/2" (12.7mm)
3. LENS MATERIAL: GE LEXAN 101-112
4. SLEEVE MATERIAL / COLOR: NYLON 66 (UL94V-1 MIN / UL94V-0 PREF) / BLACK
5. HEADER MATERIAL / COLOR: NYLON 66 (UL94V-1 MIN / UL94V-0 PREF) / BLACK
6. TERMINAL MATERIAL: BRASS S.A.E. CA 360, FEDERAL QQ-B-626 ALLOY 360  
FINISH: TIN PLATE MIL-T-10727 TYPE I, DULL FINISH, .0001-.00025 THICK.

REVISION NOTIFICATION	
<input type="checkbox"/> DLC	
<input type="checkbox"/> UL/ETL	
<input type="checkbox"/> MADE IN USA	
<input type="checkbox"/> CUSTOMER _____	
<input type="checkbox"/> OTHER	
REDLINE CHECKLIST	
<input type="checkbox"/> REDLINE(YES)	
<input type="checkbox"/> DATE: _____	
<input type="checkbox"/> INITIATED BY: _____	
<input type="checkbox"/> ECR REQUIRED YES <input type="checkbox"/> NO <input type="checkbox"/>	
<input type="checkbox"/> WORK ORDER# _____	

**ELECTRICAL-OPTICAL CHARACTERISTICS (Ta = 25°C)**

1	PFS50-0AG-120A-T	AQUA GREEN	120Vac	0.006-0.008 A	2.500cd	520	180°
2	PFS50-0UO-120A-T	SUPER ORANGE	120Vac	0.006-0.008 A	-	610	180°
3	PFS50-0UR-120A-T	ULTRA RED	120Vac	0.006-0.008 A	0.450cd	652	180°
4	PFS50-0UY-120A-T	SUPER YELLOW	120Vac	0.006-0.008 A	0.900cd	595	180°
5	PFS50CG5-120VAC-T	HI-EFF GREEN	120Vac	0.006-0.008 A	0.087cd	563	180°
6	PFS50CR6-120VAC-T	ULTRA RED	120Vac	0.006-0.008 A	0.135cd	654	180°
7	PFS50CY5-120VAC-T	YELLOW	120Vac	0.006-0.008 A	0.030cd	584	180°
NO.	LEDTRONICS PART NO.	COLOR EMITTED	INPUT VOLTAGE, V	CURRENT (A)	MAXIMUM CANDELA	λ P nm	VIEWING ANGLE (FULL BEAM WIDTH @ 50% INTENSITY)

<p>LEDTRONICS,™ INC. 23105 KASHIWA COURT TORRANCE, CA 90505</p>	<p>-PROPRIETARY- This document contains Proprietary Information of LEDTRONICS, INC. It may not be copied, used or disclosed for any purpose without the prior express written consent of LEDTRONICS, INC.</p>		<p><b>TITLE</b> PFS50-0XX-120A-T PFS50CXX-120VAC-T</p>			
	<p>DWG NO PFS50-120VAC-T</p>	<p>SCALE 1:1</p>	<p>SHEET 1 OF 1</p>	<p>DATE 06-04-07</p>		
	<p>CODE IDENT NO. 8Z410</p>	<p>DWG BY GP 06-04-07</p>	<p>CHK BY</p>	<p>QA LUV 09-29-22</p>	<p>MFG LD 09-30-22</p>	<p>R&amp;D LUV 09-29-22</p>