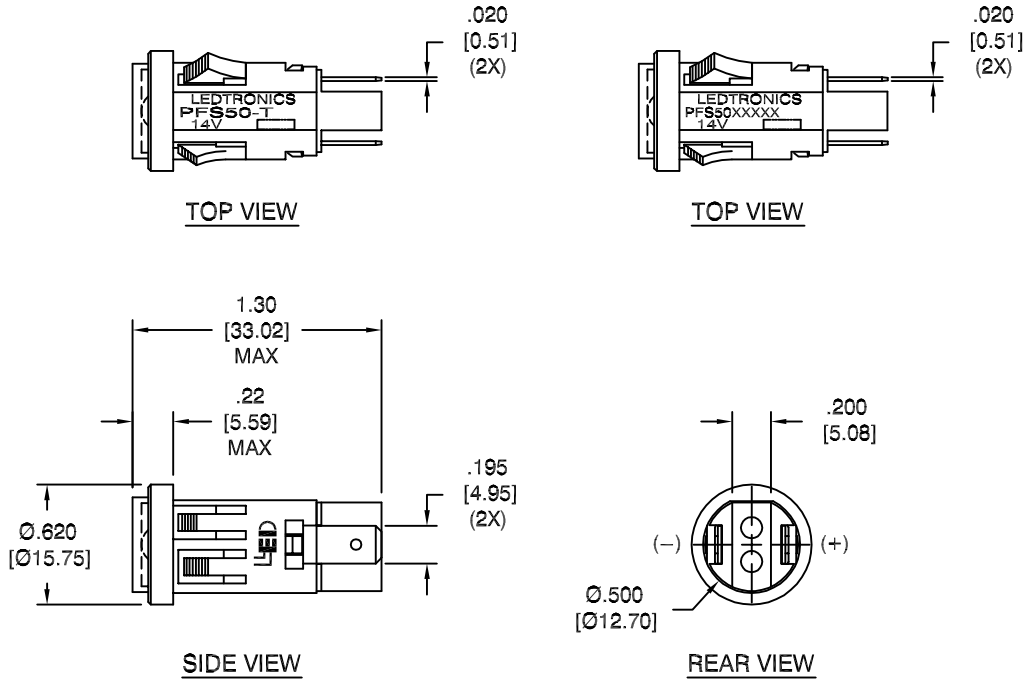


LTR	REVISION	DATE	APPD
C	092222-HF01: ADDED ALTERNATE MARKING	09-26-22	HF

**ALTERNATE MARKING**  
(#4 & #5)



**NOTES:**

1. ALL DIMENSIONS ARE IN INCHES [MILLIMETERS].
2. MOUNTING DIAMETER: Ø1/2" (12.7mm)
3. LENS MATERIAL: POLYCARBONATE (PC) (UL 94V-2)
4. SLEEVE MATERIAL / COLOR: NYLON 66 (UL94V-1 MIN / UL94V-0 PREF) / BLACK
5. HEADER MATERIAL / COLOR: NYLON 66 (UL94V-1 MIN / UL94V-0 PREF) / BLACK
6. TERMINAL MATERIAL: BRASS S.A.E. CA 360, FEDERAL QQ-B-626 ALLOY 360  
FINISH: TIN PLATE MIL-T-10727 TYPE I, DULL FINISH, .0001-.00025 THICK.

REVISION NOTIFICATION	
<input type="checkbox"/> DLC	
<input type="checkbox"/> UL/ETL	
<input type="checkbox"/> MADE IN USA	
<input type="checkbox"/> CUSTOMER _____	
<input type="checkbox"/> OTHER _____	
REDLINE CHECKLIST	
<input type="checkbox"/> REDLINE(YES)	
<input type="checkbox"/> DATE: _____	
<input type="checkbox"/> INITIATED BY: _____	
<input type="checkbox"/> ECR REQUIRED YES <input type="checkbox"/> NO <input type="checkbox"/>	
<input type="checkbox"/> WORK ORDER# _____	

ELECTRICAL-OPTICAL CHARACTERISTICS (Ta = 25°C)

1	PFS50-0AG-014V-T	AQUA GREEN	12/14Vdc(@14Vdc)	0.015 A	-	520	180°
2	PFS50-0UR-014V-T	ULTRA RED	12/14Vdc(@14Vdc)	0.020 A	0.900cd	652	180°
3	PFS50-0UY-014V-T	SUPER YELLOW	12/14Vdc(@14Vdc)	0.020 A	1.800cd	595	180°
4	PFS50CG5-14V-T	HI-EFF GREEN	12/14Vdc(@14Vdc)	0.020 A	0.145cd	563	180°
5	PFS50CR6-14V-T	ULTRA RED	12/14Vdc(@14Vdc)	0.020 A	-	655	180°
NO.	LEDTRONICS PART NO.	COLOR EMITTED	INPUT VOLTAGE, V	CURRENT (A)	MAXIMUM CANDELA	λP nm	VIEWING ANGLE (FULL BEAM WIDTH @ 50% INTENSITY)

<p>LEDTRONICS,™ INC. 23105 KASHIWA COURT TORRANCE, CA 90505</p>	<p>-PROPRIETARY- This document contains Proprietary Information of LEDTRONICS, INC. It may not be copied, used or disclosed for any purpose without the prior express written consent of LEDTRONICS, INC.</p>		<p>TITLE: PFS50-0XX-014V-T PFS50CXX-14V-T</p>			
	<p>.XXX ± .010 TOLERANCE PER ANSI-Y14.5 .XX ± .025 (UNLESS OTHERWISE STATED) ANGLES ± 0°,30' FRACT. ± 1/32</p>		<p>DWG NO: PFS50-14VDC-T</p>	<p>SCALE: 1:1</p>	<p>SHEET: 1 OF 1</p>	<p>DATE: 05-21-09</p>
	<p>CODE IDENT NO.: 8Z410</p>	<p>DWG BY GP: 05-21-09</p>	<p>CHK BY</p>	<p>QA LUV: 09-29-22</p>	<p>MFG LD: 09-30-22</p>	<p>R&amp;D LUV: 09-29-22</p>