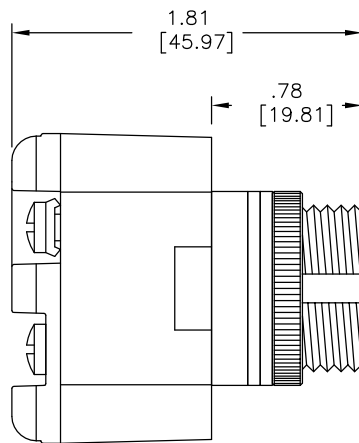
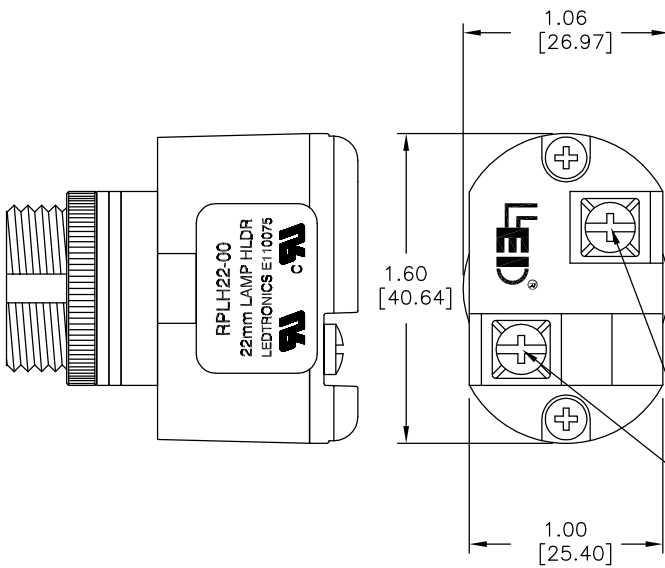
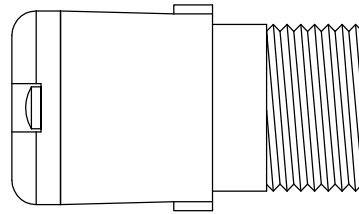
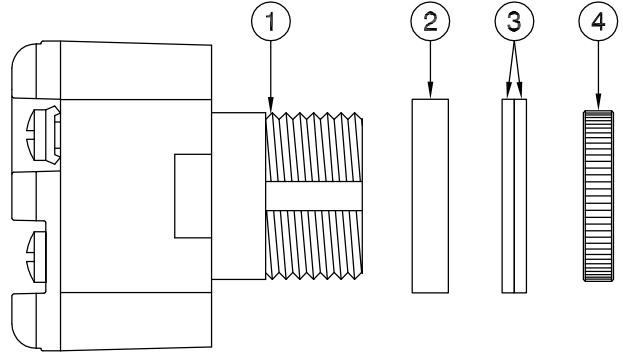
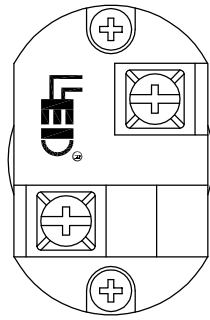
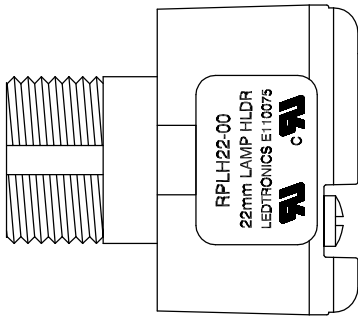


LTR	REVISION	DATE	APPD
C	013123-GZO1: ADDED NOTE FOR TERMINAL SCREWS	02-22-23	HF



\*\*\*TERMINAL SCREWS:  
2 IN-LBS TORQUE MAX.



**NOTES:**

1. ALL DIMENSIONS ARE IN INCHES [MILLIMETERS].
2. MOUNTING HOLE SIZE: Ø7/8" [Ø22mm]

**BILL OF MATERIALS**

ITEM	DESCRIPTION	QTY
1	LAMPHOLDER (RYNITE FR530 [UL94V0])	1
2	WASHER Ø1.0X.188 (NEOPRENE) OPTIONAL	1
3	WASHER Ø1.0X.063 (NEOPRENE) OPTIONAL	2
4	NUT (ALUMINUM 6061T6)	1

REVISION NOTIFICATION	
<input type="checkbox"/>	DLC
<input type="checkbox"/>	UL/ETL
<input type="checkbox"/>	MADE IN USA
<input type="checkbox"/>	CUSTOMER _____
<input type="checkbox"/>	OTHER
REDLINE CHECKLIST	
<input type="checkbox"/>	REDLINE(YES)
<input type="checkbox"/>	DATE: _____
<input type="checkbox"/>	INITIATED BY: _____
<input type="checkbox"/>	ECR REQUIRED YES <input type="checkbox"/> NO <input type="checkbox"/>
<input type="checkbox"/>	WORK ORDER# _____

 LEDTRONICS,™ INC. 23105 KASHIWA COURT TORRANCE, CA 90505	-PROPRIETARY- This document contains Proprietary information of LEDTRONICS, INC. It may not be copied, used or disclosed for any purpose without the prior express written consent of LEDTRONICS, INC.		<b>TITLE</b> <b>RPLH22-00</b>			
	.XXX ± .010 TOLERANCE PER ANSI-Y14.5 .XX ± .025 (UNLESS OTHERWISE STATED) ANGLES ± 0°,30' FRACT. ± 1/32		DWG NO H2202004	SCALE 1:1	SHEET 1 OF 1	DATE 02-04-98
	CODE IDENT NO. 8Z410	DWG BY JH 02-04-98	CHK BY	QA LUV 02-23-23	MFG LD 02-23-23	R&D UF 02-23-23